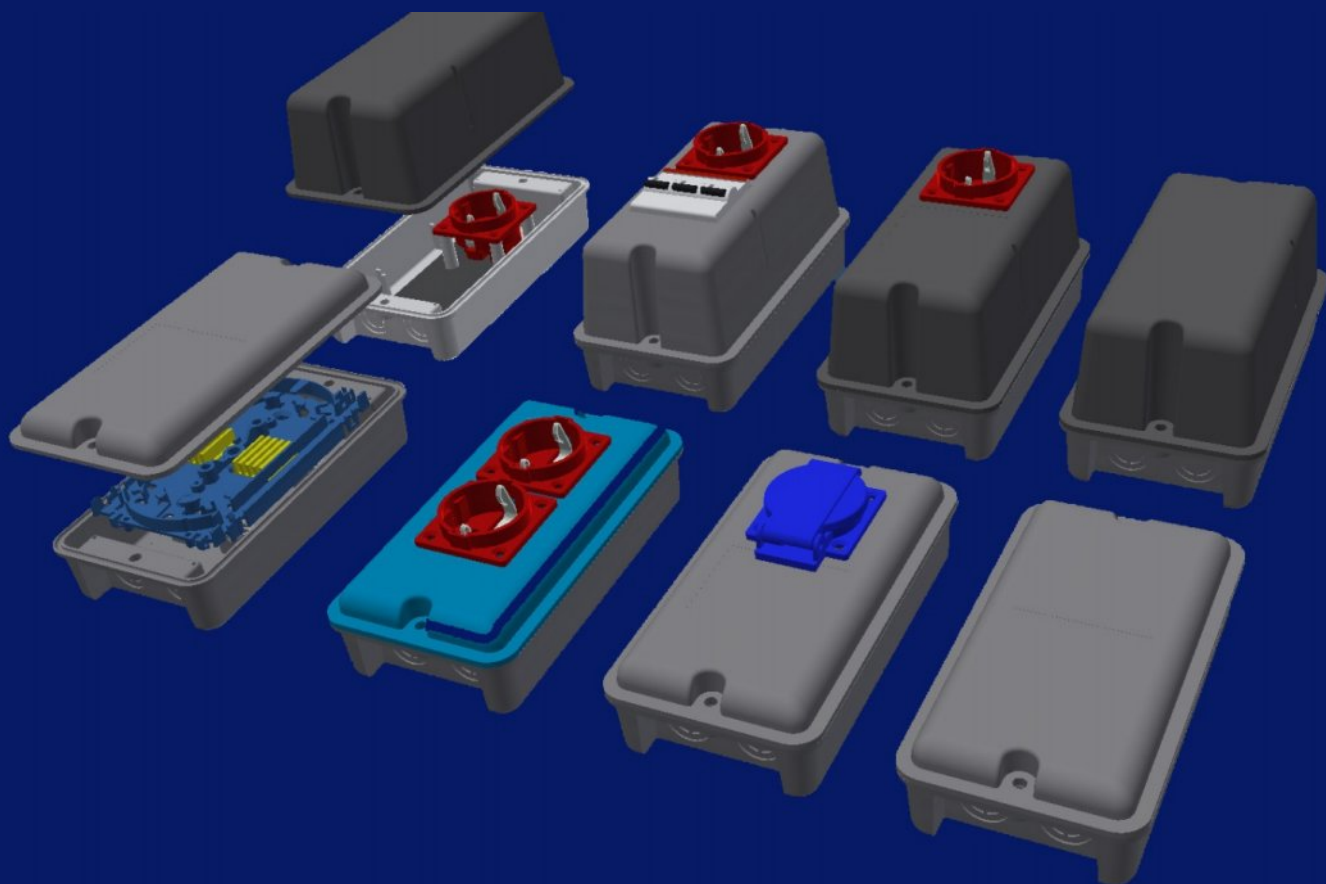


ComNet

Producing of communications & data centers equipment



PS-014 SERIE

COMPACT SIZE UNIVERSAL ENCLOSURES

ComNet

PS-014 COMPACT SIZE UNIVERSAL ENCLOSURES

PS-014 Serie is launched in early 2023 and contains combinations of medium size enclosures for various solutions such as electricity, automatics, fire and security alarm, video surveillance and fiber optic as well.

Depending on elements installed, these enclosures can be used indoor or outdoor and has a protection class up to IP68, thanks to rubber sealing O-ring. We still hardly working on this series expansion with more products for various personalized solutions. In addition, we are proposing many different accessories, which allows you to adapt it exactly for Your needs with almost unlimited combinations.

At the design phase we took in to account customer wishes and feedbacks and as result we create product that could be easily adaptable to various applications. We are proud that thanks to our unique replaceable inserts in the molding die We can extend the range of our products.



Please note, that this product series is not completely finished yet and there will be many additions. Please submit Your ideas, which we are ready to implement in the new products. In this booklet, We have trying to show You all the information available about the features of the new product, but in reality there are many more of them.

Follow the news on Our website : www.comnet.lv



ComNet

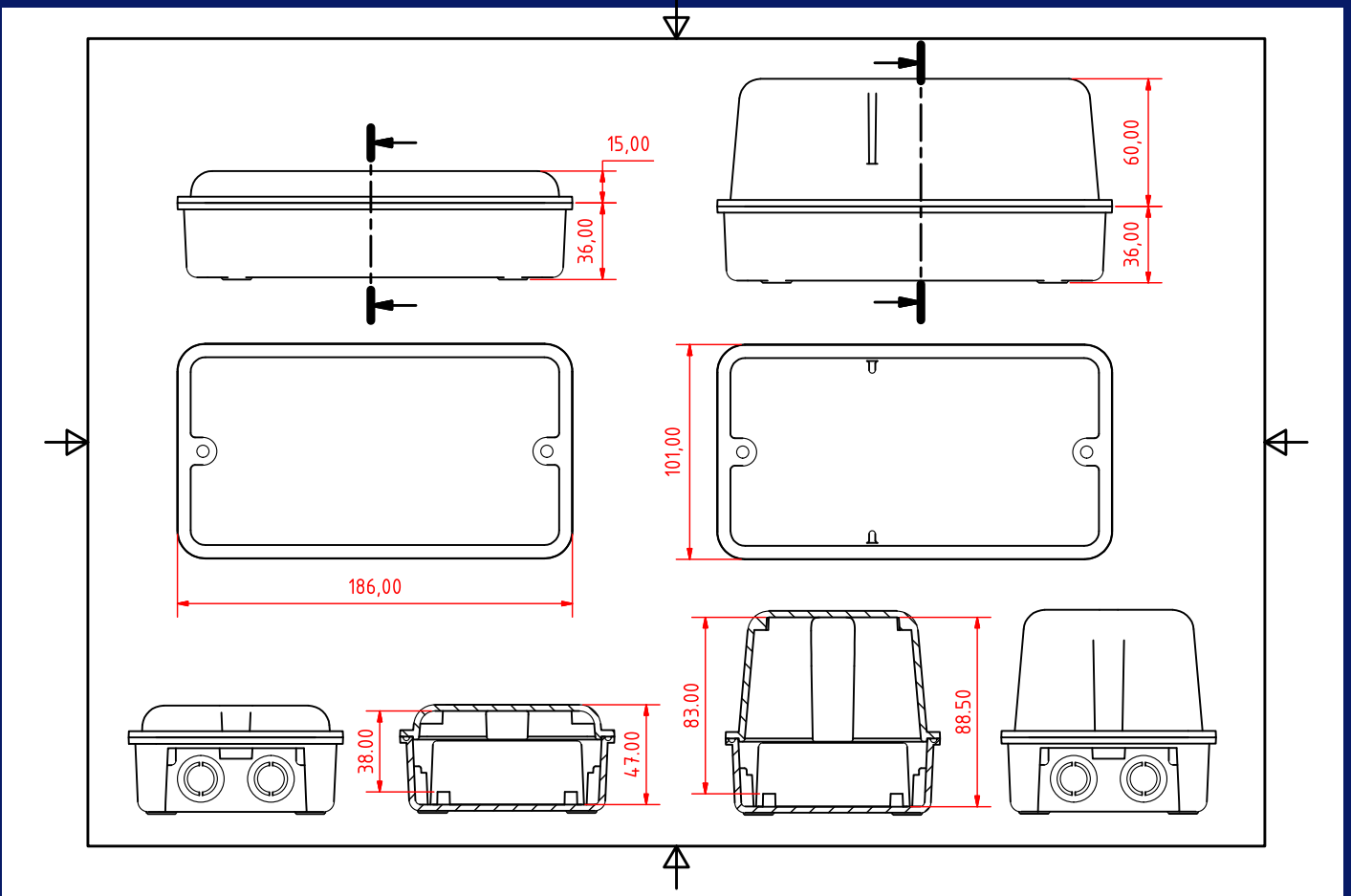
We are currently producing the bottom part of the enclosure, which has five possible modifications and lids of two different sizes. These lids also has several modifications. In that way, we can split this product line into two groups - Low profile enclosures and High profile enclosures. So, product codes includes a letter "L" or "H" accordingly in their code names.



Low-profile enclosures



High-profile enclosures



ComNet

Low-profile enclosures

Internal height of low-profile enclosures is 44 mm, so there is space only for small components, like 15 mm DIN rail.

A most of 35 mm DIN components are not suitable for those enclosures.

However, these enclosures are suitable for the installation of various electrical sockets or to be used for low-current switching



Based on low-profile enclosure
We are created fiber optic enclosure
FOS-43, especially adapted for
splicing cassette FOS-41NG, so
You can made a splicing of up to
four fiber optic cables.

Cassette FOS-41NG providing up
to 16 splices.

Incoming cables are surely fixed
using PG9 cable inlets and
additional fixings inside the box



ComNet



PS-14L1

This is the compact size, low profile outdoor enclosure, basic model. Enclosure consists of base part, where is possible to install up to four PG9 cable inlets, top cover without any holes, rubber o-ring and two INOX screws.

There are no internal fixings for additional components inside.



PS-14L2

PS-14L2 is compact size, low profile outdoor enclosure. This box has an internal fixings for base plate. Enclosure consists of base part, where is possible to install up to four PG9 cable inlets, top cover without any holes, rubber o-ring and two INOX screws.



PS-14L3

PS-14L3 is compact size, low profile outdoor enclosure. This box providing the place for one SCHUKO socket installation in upper position. Enclosure has no an internal fixings for base plate inside.

Enclosure consists of base part, where is possible to install up to four PG9 cable inlets, top cover with position for installing one SCHUKO socket, rubber o-ring and two INOX screws.



PS-14L4

PS-14L4 is compact size, low profile outdoor enclosure. This box providing the place for two SCHUKO sockets installation.

Enclosure has no an internal fixings for base plate inside

Enclosure consists of base part, where is possible to install up to four PG9 cable inlets, top cover with positions for installing two SCHUKO sockets, rubber o-ring and two INOX screws.

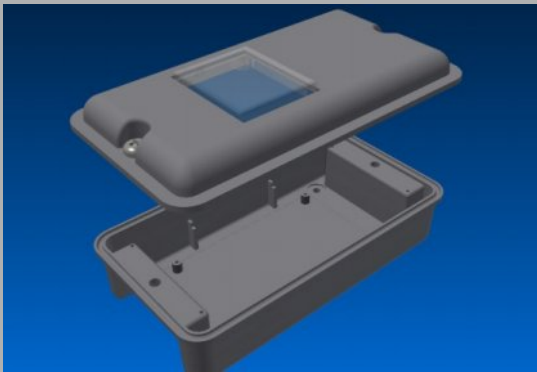
ComNet



PS-14L5

PS-14L5 is compact size, low profile outdoor enclosure. This box provided for installing of one SCHUKO socket in lowest position

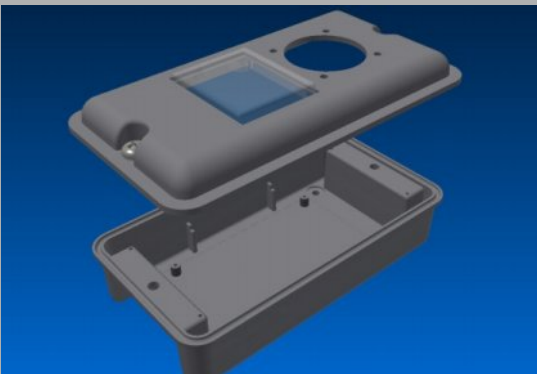
Enclosure has not an internal fixings for base plate inside
Enclosure consists of base part, where is possible to install up to four PG9 cable inlets, top cover with position for installing one SCHUKO socket, rubber o-ring and two INOX screws.



PS-14L6

PS-14L6 is compact size, low profile outdoor enclosure. This box has transparent or red tinted polycarbonate window. This box has an internal fixings for base plate or PCB with surface mounted LED panels or other light source elements.

Enclosure consists of base part, where is possible to install up to four PG9 cable inlets, top cover with transparent or red tinted window, rubber o-ring and two INOX screws.
Window is sealed with additional o-ring



PS-14L7

PS-14L7 is compact size, low profile outdoor enclosure. This box has transparent or red tinted polycarbonate window and hole for installing one SCHUKO socket. There is an internal fixings for base plate or PCB with surface mounted LED panels or other light source elements on the bottom part.

Enclosure consists of base part, where is possible to install up to four PG9 cable inlets, top cover with transparent or red tinted window, rubber o-ring and two INOX screws.
Window is sealed with additional o-ring



PS-14L8

PS-14L8 is compact size, low profile outdoor enclosure. This box provided for installing of one SCHUKO socket in upper position. Enclosure has an internal fixings for base plate inside

Enclosure consists of base part, where is possible to install up to four PG9 cable inlets, top cover with position for installing SCHUKO socket, rubber o-ring and two INOX screws.

ComNet



PS-14L9

PS-14L9 is compact size, low profile outdoor enclosure. This box provided for installing of two SCHUKO sockets. Enclosure has an internal fixings for base plate inside

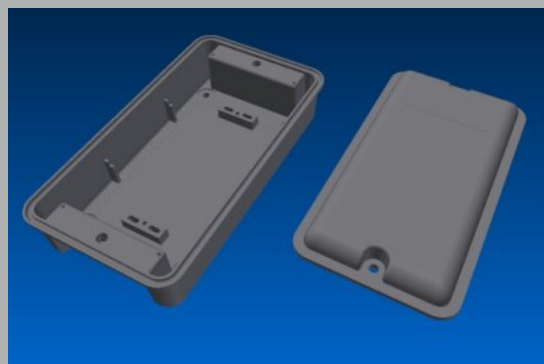
Enclosure consists of base part, where is possible to install up to four PG9 cable inlets, top cover with positions for installing two SCHUKO sockets, rubber o-ring and two INOX screws.



PS-14L10

PS-14L10 is compact size, low profile outdoor enclosure. This box provided for installing of one SCHUKO socket in lowest position. Enclosure has an internal fixings for base plate inside

Enclosure consists of base part, where is possible to install up to four PG9 cable inlets, top cover with position for installing SCHUKO socket, rubber o-ring and two INOX screws.



PS-14L11

PS-14L11 is compact size, low profile outdoor enclosure. This box supporting installation of 15 mm or 35 mm DIN rail in 114 mm length

Enclosure consists of base part, where is possible to install up to four PG9 cable inlets, top cover, rubber o-ring and two INOX screws.

ComNet

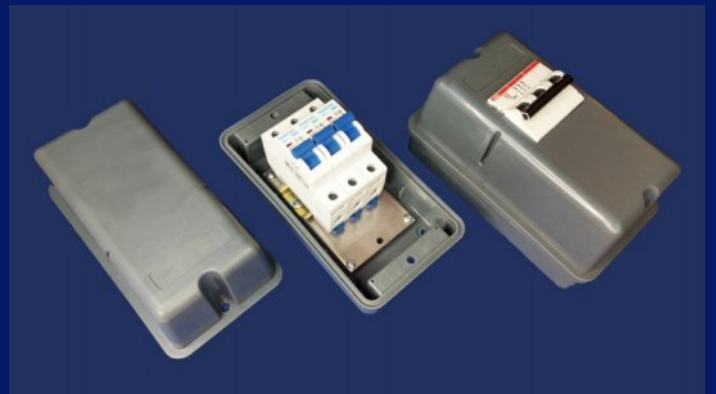


High-profile enclosures

Unlike the low-profile enclosures internal height of high-profile enclosure is 88 mm, so there is enough space for most DIN components, like circuit breakers, electric counters and time relays.

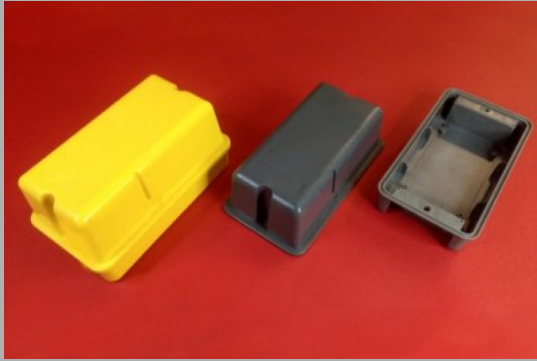
There is possible to use high-profile enclosures for power supplies, fiber converters, LSA modules and many more.

Like in low profile enclosures, here is options with installing holes for various power sockets.



Due to enlarged cover, here is several options how to install circuit breakers or other accessible DIN elements and power supply units. Also wide range of accessories are available too. Thanks to various base plates it will be possible to install here DIN rail mounted electric terminals LSA modules and other electric devices.

ComNet



PS-14H1

PS-14H1 is compact size, high profile outdoor enclosure, basic model
Enclosure has no any internal fixings for base plate inside

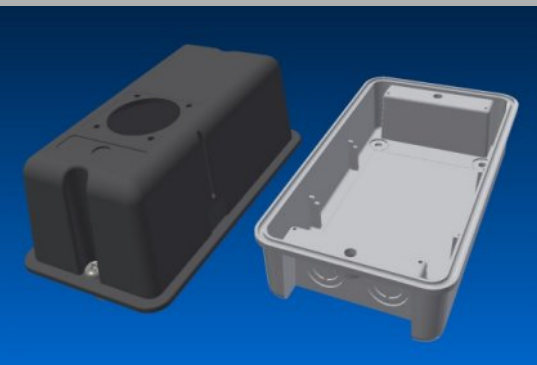
Enclosure consists of base part, where is possible to install up to four PG9 cable inlets, closed top cover, rubber o-ring and two INOX screws.



PS-14H2

PS-14H2 is compact size, high profile outdoor enclosure.
There is hole for installing one SCHUKO socket in upper position.
Enclosure has no any internal fixings for base plate inside
Perfect solution, if You want to create remotely – controlled power access.

Enclosure consists of base part, where is possible to install up to four PG9 cable inlets, top cover, rubber o-ring and two INOX screws.



PS-14H3

PS-14H3 is compact size, high profile outdoor enclosure.
There is hole for installing one SCHUKO socket in lowest position.
Enclosure has not an internal fixings for base plate inside

Enclosure consists of base part, where is possible to install up to four PG9 cable inlets, top cover, rubber o-ring and two INOX screws.



PS-14H4

PS-14H4 is compact size, high profile outdoor enclosure with DIN rail for installing up to three DIN-mounted devices.
Usually used for circuit breakers. Enclosure has no any internal fixings for base plate inside

Enclosure consists of base part, where is possible to install up to four PG9 cable inlets, top cover, 82 mm DIN rail with self tapping screws, rubber o-ring and two INOX screws.

ComNet



PS-14H5

PS-14H5 is compact size, high profile outdoor enclosure with DIN rail for installing up to three DIN-mounted devices and one SCHUKO socket.
Usually used for circuit breakers.

Enclosure consists of base part, where is possible to install up to four PG9 cable inlets, top cover, 82 mm DIN rail with self-tapping screws, rubber o-ring and two INOX screws.



PS-14H6

PS-14H6 is compact size, high profile outdoor enclosure with DIN rail for installing two SCHUKO sockets.

Enclosure has no any internal fixings for base plate inside

Enclosure consists of base part, where is possible to install up to four PG9 cable inlets, top cover, rubber o-ring and two INOX screws.



PS-14H7

PS-14H7 is compact size, high profile outdoor enclosure, basic model

Enclosure has an internal fixings for base plate inside

Enclosure consists of base part, where is possible to install up to four PG9 cable inlets, closed top cover, rubber o-ring and two INOX screws.



PS-14H8

PS-14H8 is compact size, high profile outdoor enclosure.
There is hole for installing one SCHUKO socket in upper position.
Enclosure has an internal fixings for base plate inside

Enclosure consists of base part, where is possible to install up to four PG9 cable inlets, top cover, rubber o-ring and two INOX screws.

ComNet



PS-14H9

PS-14H9 is compact size, high profile outdoor enclosure. There is hole for installing one SCHUKO socket in lowest position.

Enclosure has an internal fixings for base plate inside

Enclosure consists of base part, where is possible to install up to four PG9 cable inlets, top cover, rubber o-ring and two INOX screws.



PS-14H10

PS-14H10 is compact size, high profile outdoor enclosure with DIN rail for installing up to three DIN-mounted devices.

Usually used for circuit breakers. Enclosure has an internal fixings for base plate inside

Enclosure consists of base part, where is possible to install up to four PG9 cable inlets, top cover, 82 mm DIN rail with self-tapping screws, rubber o-ring and two INOX screws.



PS-14H11

PS-14H11 is compact size, high profile outdoor enclosure with DIN rail for installing up to three DIN-mounted devices and one SCHUKO socket. Usually used for circuit breakers.

Enclosure has an internal fixings for base plate inside

Enclosure consists of base part, where is possible to install up to four PG9 cable inlets, top cover, 82 mm DIN rail with self tapping screws, rubber o-ring and two INOX screws.



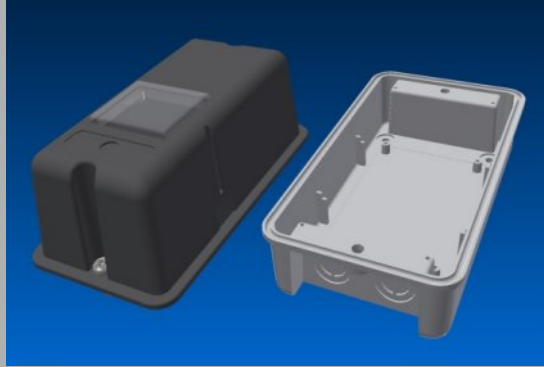
PS-14H12

PS-14H12 is compact size, high profile outdoor enclosure for installing two SCHUKO sockets.

Enclosure has an internal fixings for base plate inside

Enclosure consists of base part, where is possible to install up to four PG9 cable inlets, top cover, rubber o-ring and two INOX screws.

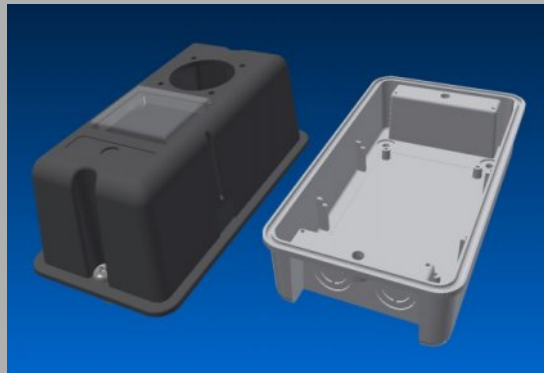
ComNet



PS-14H13

PS-14H13 is compact size, high profile outdoor enclosure. This box has transparent or red tinted polycarbonate window. Enclosure provided for electric counters or other measurement devices and has an internal fixings for base plate or PCB with surface mounted LED panels or other light source elements.

Enclosure consists of base part, where is possible to install up to four PG9 cable inlets, top cover with transparent or tinted window, rubber o-ring and two INOX screws.



PS-14H14

PS-14H14 is compact size, high profile outdoor enclosure. This box has transparent or red tinted polycarbonate window. Enclosure provided for electric counters or other measurement devices and one SCHUKO socket on top cover. There is an internal fixings for base plate.

Enclosure consists of base part, where is possible to install up to four PG9 cable inlets, top cover with transparent or tinted window, rubber o-ring and two INOX screws.



PS-14H15

PS-14H15 is compact size, high profile outdoor enclosure with SCHUKO socket, provided for power adapters

Enclosure consists of base part, where is possible to install up to four PG9 cable inlets. Here is special fixings for one internal SCHUKO socket.

Set included cover, rubber o-ring and two INOX screws.



PS-14H16

PS-14H16 is compact size, high profile outdoor enclosure with SCHUKO socket inside, provided for power adapters.

There is hole for external SCHUKO socket also

Enclosure consists of base part, where is possible to install up to four PG9 cable inlets and one internal SCHUKO socket, top cover, rubber o-ring and two INOX screws.

ComNet



PS-14H17

PS-14H17 is compact size, high profile outdoor enclosure with supports for 15 mm or 35 mm DIN rail with length 114 mm.

DIN rail not included

Enclosure consists of base part, where is possible to install up to four PG9 cable inlets, top cover, rubber o-ring and two INOX screws.



PS-14H18

PS-14H18 is compact size, high profile outdoor enclosure with 35 mm DIN rail in 114 mm length

This base can be supplemented with other lids where power sockets can be installed

Enclosure consists of base part, where is possible to install up to four PG9 cable inlets, top cover, rubber o-ring, 114 mm DIM rail with self-tapping screws and two INOX screws.

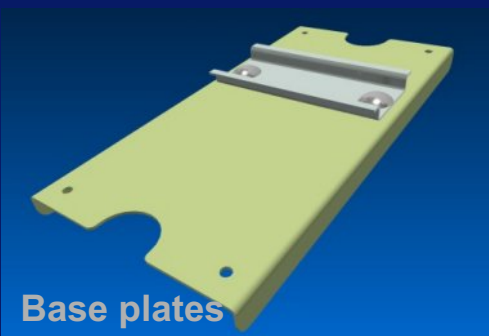
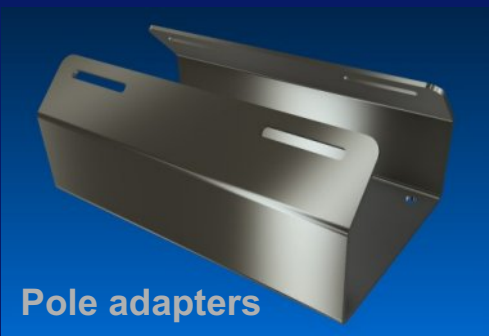
ComNet

Accessories for compact enclosures



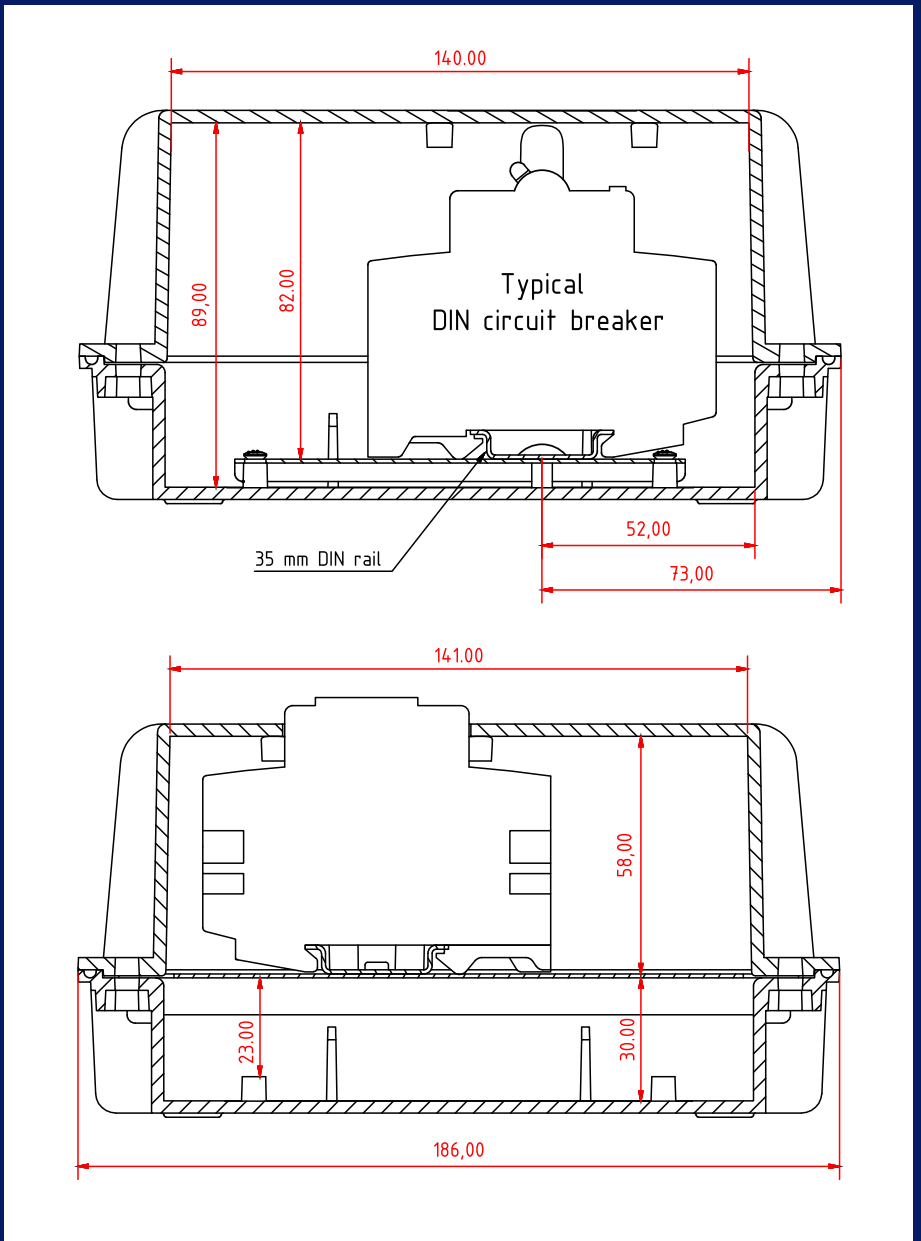
Our enclosures are adapted for demanding customer needs. We are offering various accessories. The most popular are listed here, but please note that the range of accessories can grow up rapidly and we are adjusting each customer requirements.

We offer various base plates, DIN rails, adapters for installing on poles and many more.



Thanks to different base plates, here is possible to install DIN elements closed inside the box or accessible from outside.

Please take a look at blueprints !



ComNet



Our enclosures can be produced in various colors

We can manufacture enclosures under customer's brand.

Customers logo can be placed on the top of the lid

We can offer various packings and contents for specialized sets

Protection class of basic models are IP68. But if there installed additional accessories like circuit breakers or power sockets, protection class could drop accordingly, to those elements' protection class

Basic set including two INOX screws and nuts for cover's fixing

Rubber sealing (o-ring) not included in basic set, but it can be added on request. If enclosures are used indoor, then may not be necessity for that

There is possible to made specific holes on top cover, for various switches, control elements or signal lamps. Please send us Your ideas !

Basic plates can be ordered with specific configurations
We can made semi - assembled sets with pre-installed elements



FOS-43

There are two enclosures, based on this series, provided specially for fiber optic - FOS-43 and FOS-44.

Those products include splicing cassettes FOS-41NG



FOS-44