

ComNet

Producing of communications & data centers equipment since 1997th

**FIBER OPTIC ACCESSORIES
AND UNIVERSAL ENCLOSURES**

2024

COMNET

Producing of communications & data centers equipment since 1997th



Our playground is designing and producing of various construction and equipment for communications, computer networking, structured cable systems and electrical engineering.

We produce various enclosures for electrical and electronical hardware, especially 19-inch and 10-inch racks and stands, wall mounting cases and frames, patch-panels, shelves, fiber-optical cable mounting elements and many others accessories. We have deep knowledge in sheet steel processing and production of plastic parts for the telecommunications industry and fiber optic networking. We can offer also a full life cycle of ABS plastic products – from the project to the mold and casting of parts.

Also we offer different solutions for professional audio-video, stage technics, video surveillance and automation.

In this boucklet You find information about our plastic products for fiber optic and other applications.

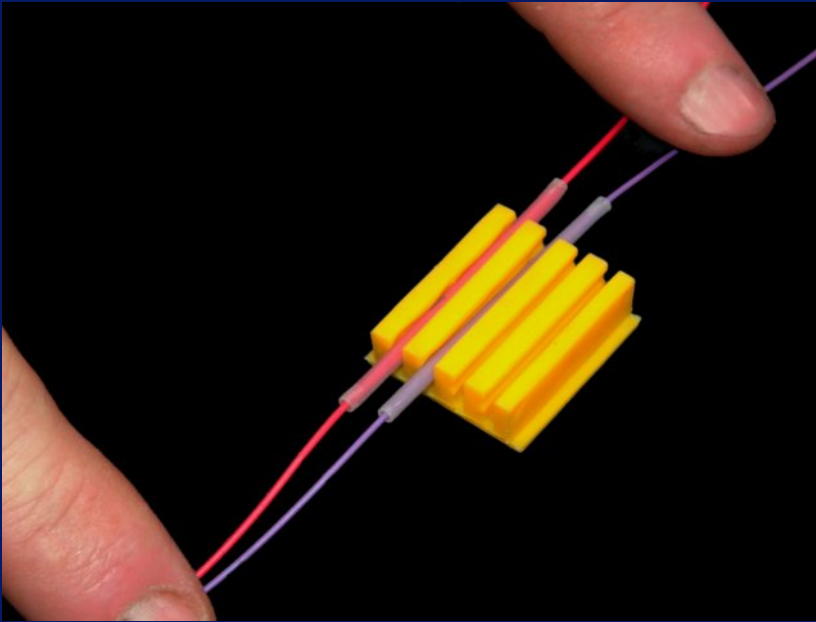
If You find something interesting here, please don't hesitate to contact us for additional information.



ComNet

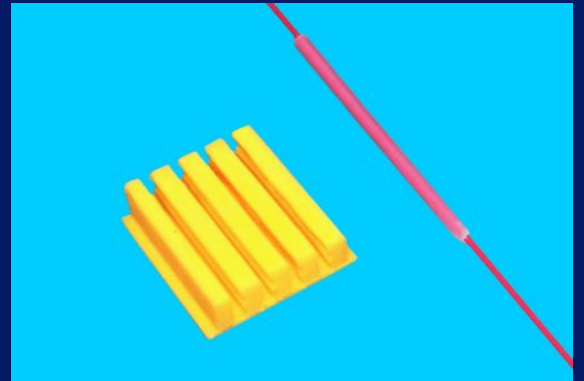
Producing of communications & data centers equipment since 1997th

FOS-10

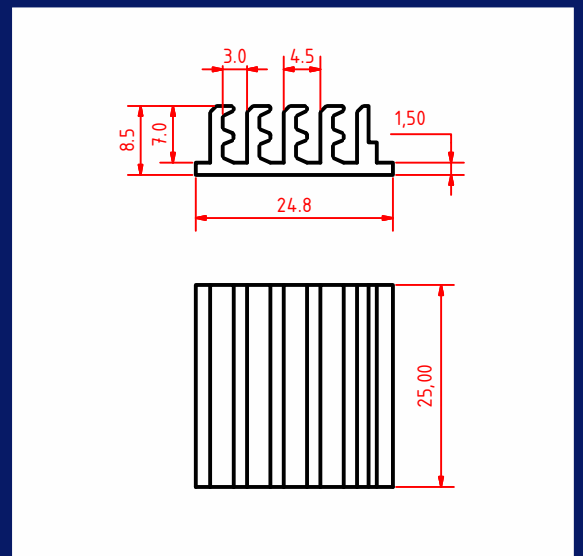


Splice holder FOS-10 is developed for delicate fixing up to 8 splices with diameter of splices not exceed 2.4 mm.

FOS-10 serves as base component for various other fiber optic products e.g. splicing cassettes FOS-41NG, FOS-22, FOS-24



Splice holders FOS-10 available in various packages or included in contents of other fiber - optic products



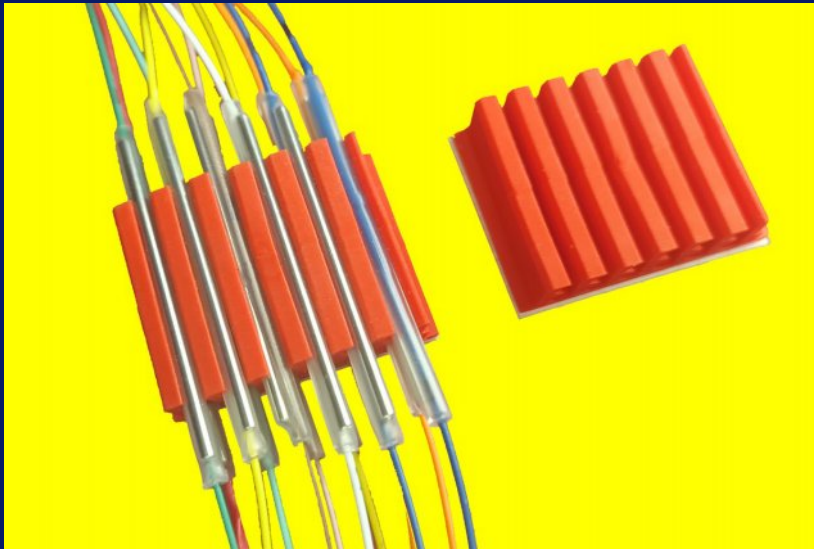
Material : EVO (rubberized plastic)
Dimensions : 25.0*24.8*8.5 mm
Weight : about 6 gr

This product improved in 2024 !

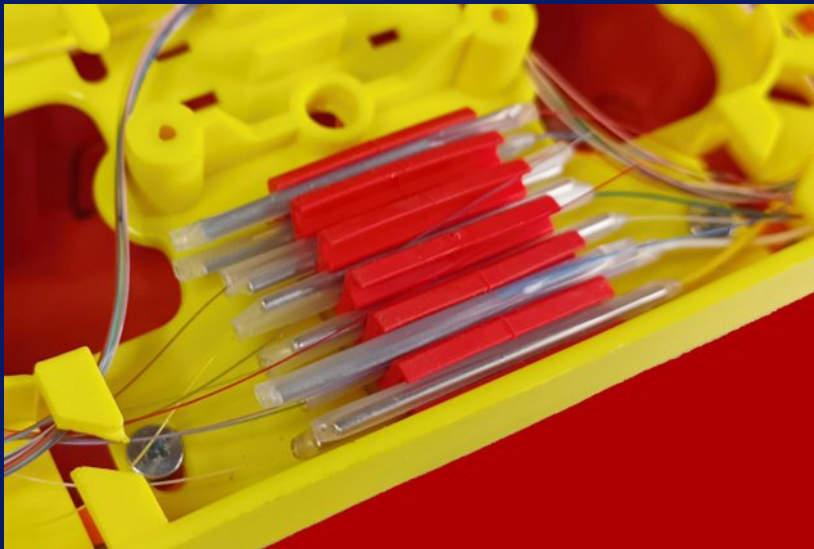
ComNet

Producing of communications & data centers equipment since 1997th

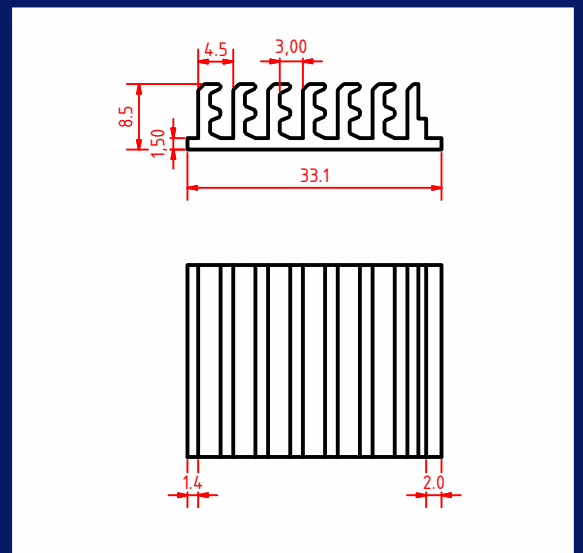
FOS-20



Fiber splice holder FOS-20 dedicated for fixing up to 12 splices. Used in splicing cassettes FOS-38 and other future projects.



Splice holders FOS-20 available in various packages or included in contents of other fiber - optic products



Material : EVO (rubberized plastic)
Dimensions : 25.0*33.1*8.5 mm
Weight : about 6 gr

COMNET

Producing of communications & data centers equipment since 1997th

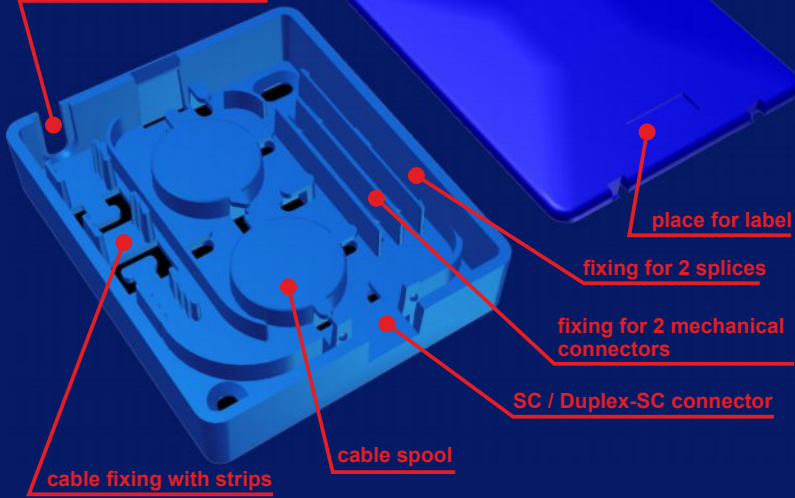
FOS-13 / FOS-19

Wall-mounting fiber-optic termination box for one SC connector

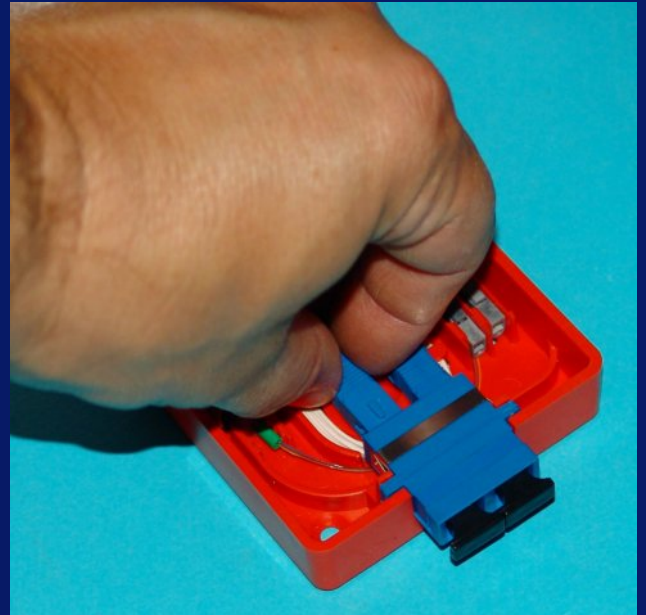
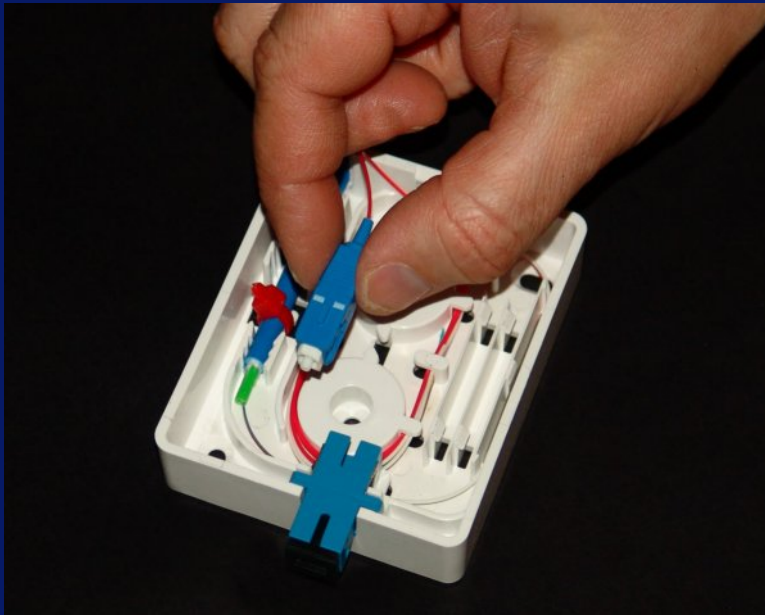
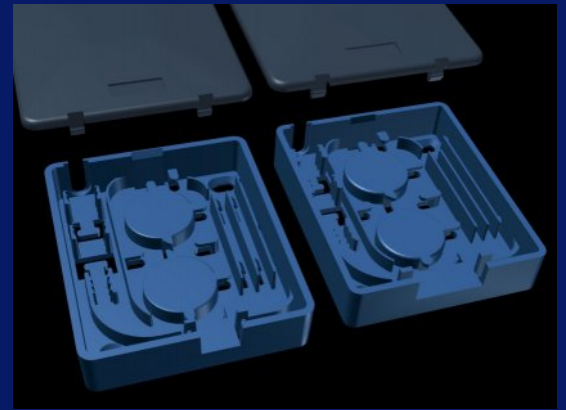
detachable cover

Wall-mounting fiber-optic termination box for one Duplex-SC connector

fiber-optic cable 5-9 mm



FOS-13 and FOS-19 are wall-mounted outlets for optical cable supply to end-user device. FOS-13 provided for one SC adapter, but FOS-19 - for one Duplex-SC adapter.



COMNet

Producing of communications & data centers equipment since 1997th

FOS-13 / FOS-19

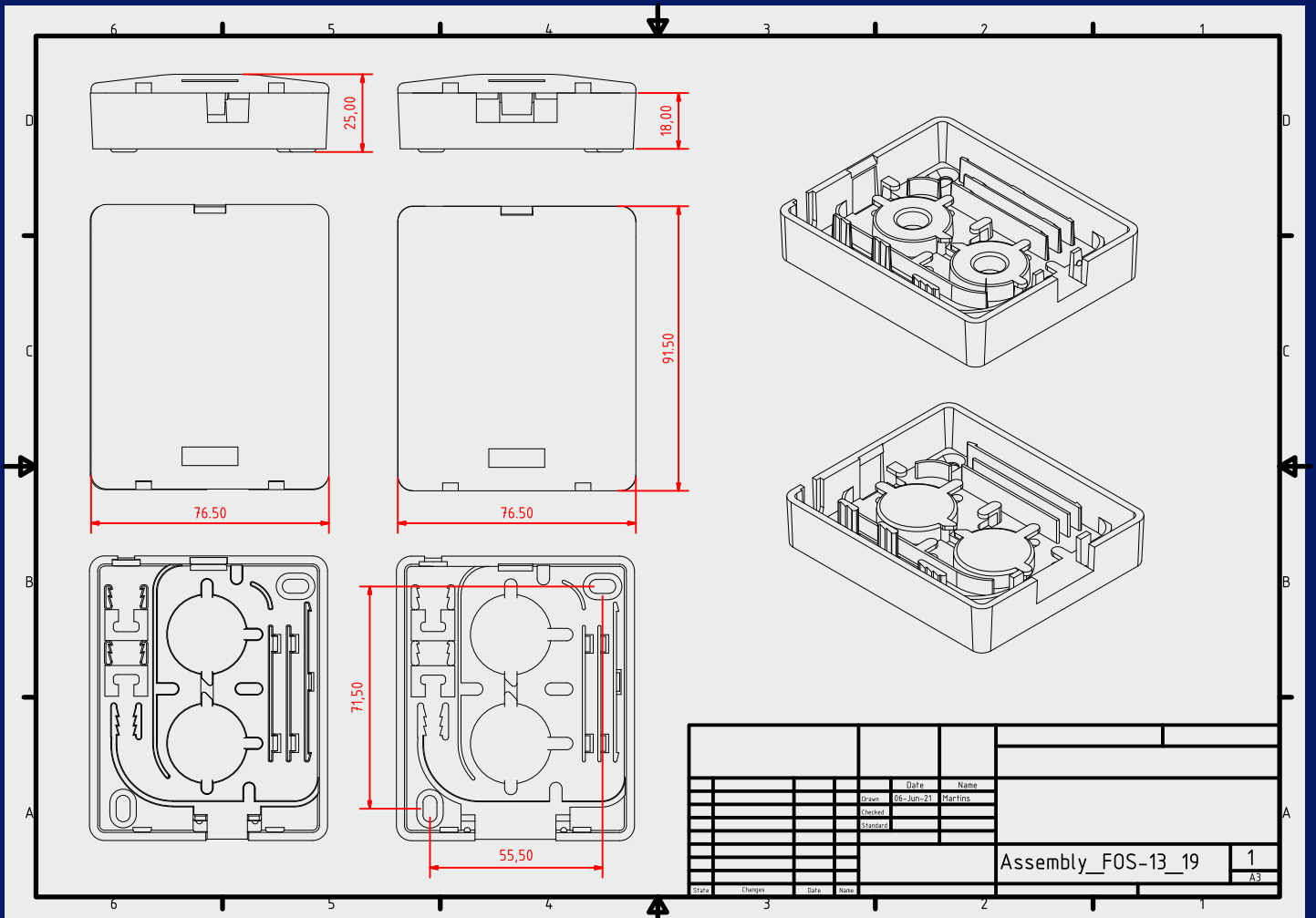
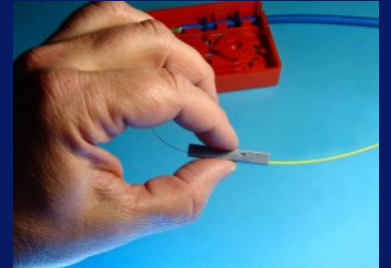
Our Fiber-optic wall sockets FOS-13 and FOS-19 supports both connection methods - using mechanical connector or heat-shrink protector.

There are fixings for up to two mechanical connectors or two fusion splices.

Incoming cable is fastened with two plastic cable ties.
Inside of the termination box you can also find cable reel with fixings for fiber and pigtail as well.

You can fix box to the wall by using two 4mm screws.

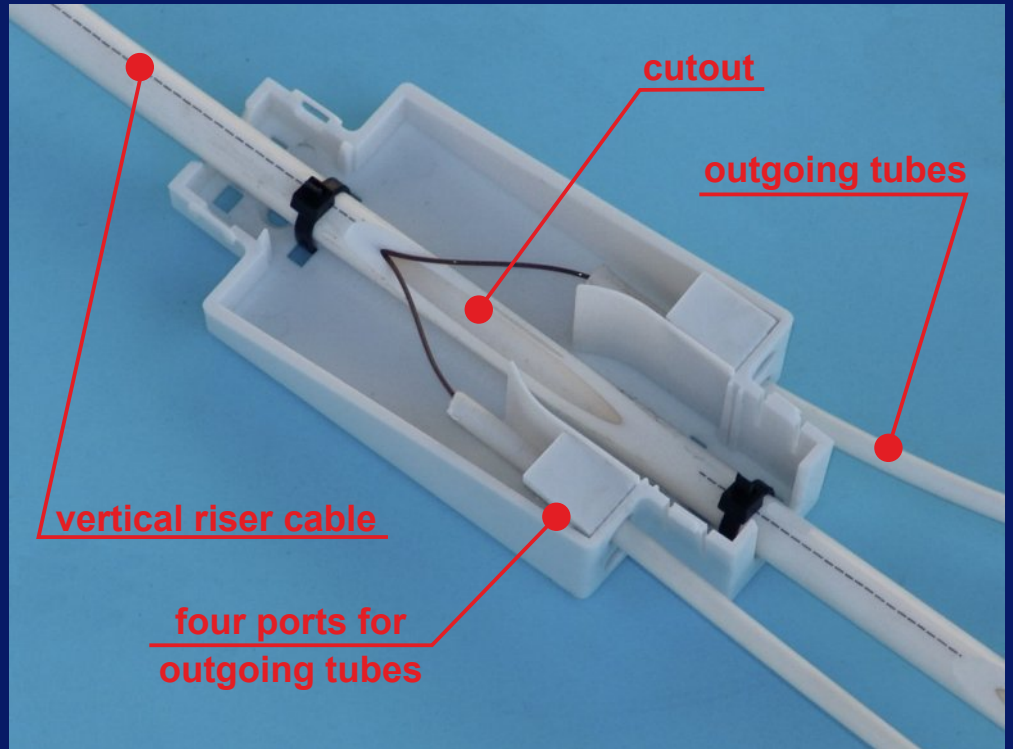
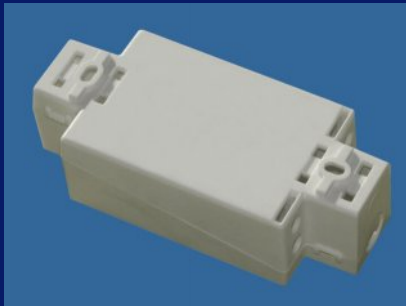
Dimensions : 92.5*75.5*25 mm
Made from hig-grade ABS plastic



ComNet

Producing of communications & data centers equipment since 1997th

FOS-16



Fiber optic distribution box FOS-16 devised for GPON technology optical fiber separating and provides access to each subscriber. It is cost effective solution especially for apartment houses.

For fiber-optic connection and extension we are proposing splicing protection box FOS-18, which is devised for 1-2 fiber-optic connections placed into 5 mm plastic tubes. Combining both products you can make quick and price-performance FTTH solution – at least one optical fiber for each subscriber.

FOS-16 provided for distributing up to four fibers from vertical riser cable

Dimensions : 130*60*39 mm
Drop-cable diameter : 6 -14 mm
Outgoing tubes : 5 mm.

Made from hig-grade PC plastic



COMNet

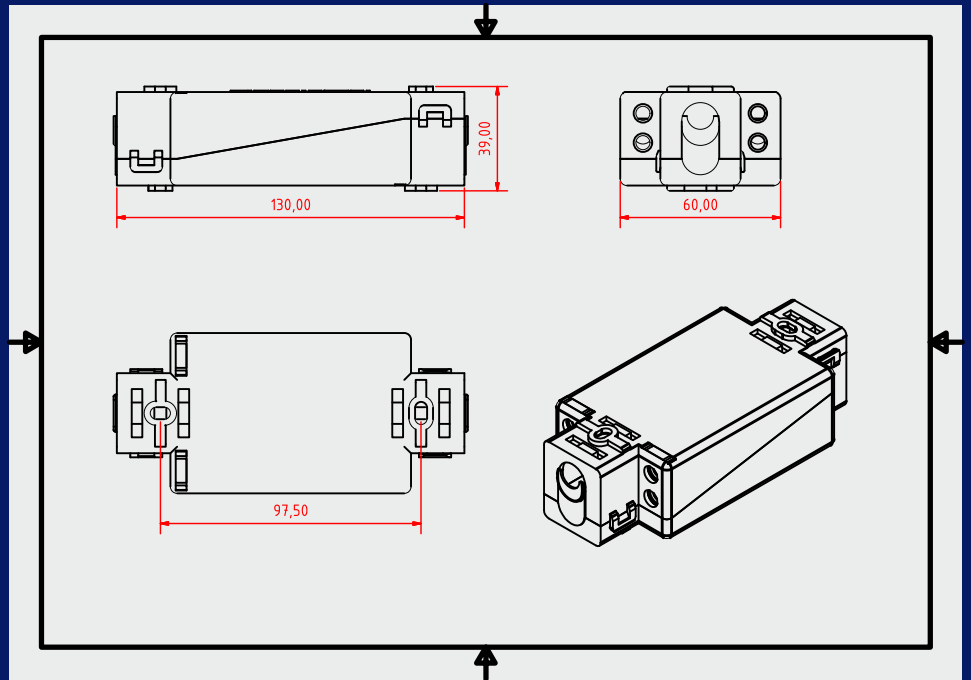
Producing of communications & data centers equipment since 1997th

FOS-16

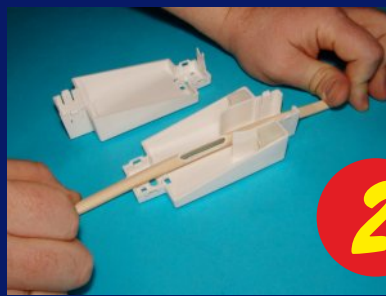
Fiber optic distribution box FOS-16 can be mounted directly on drop cable and fixed with plastic strips.

It is also possible to fix it on the wall with two screws

Installation of FOS-16 is simply, but You should have a special tools.



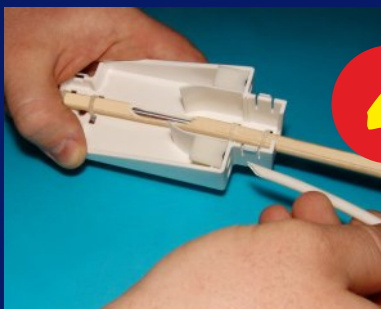
1



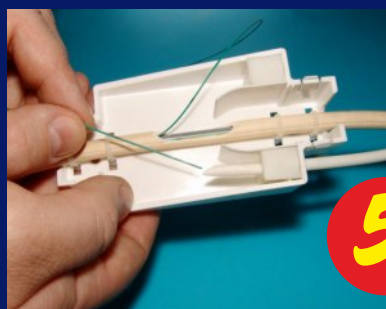
2



3



4



5



6

ComNet

Producing of communications & data centers equipment since 1997th

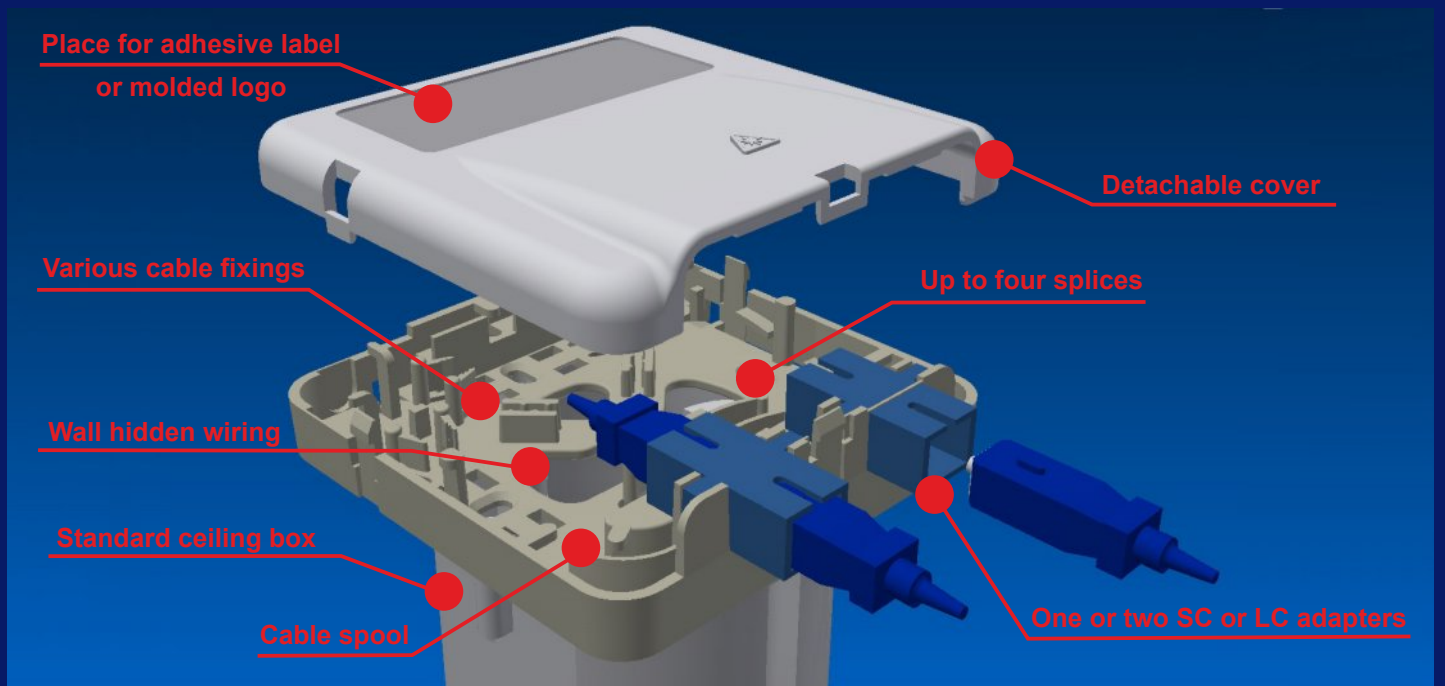
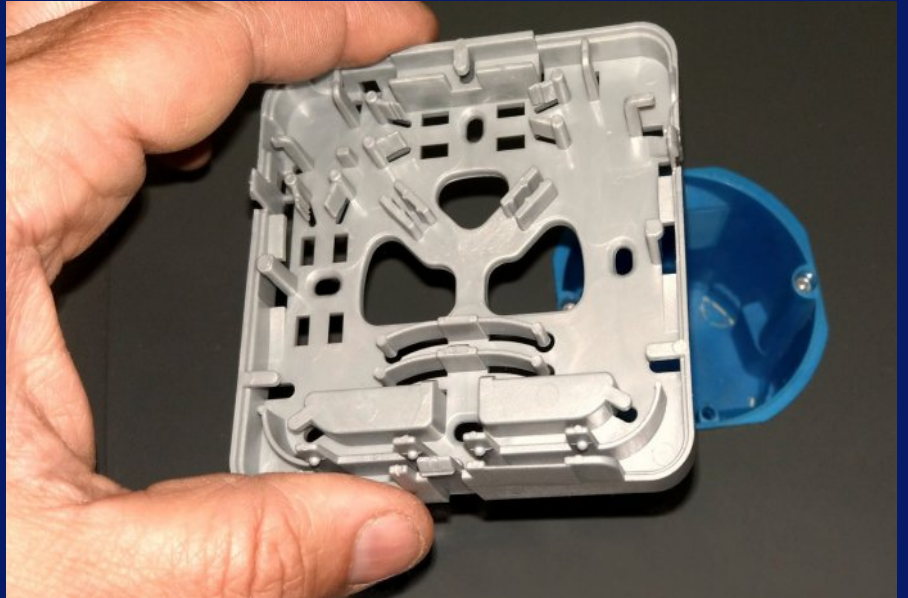
FOS-17

Fiber optic wall socket FOS-17 provided for one or two SC or LC adapters

It can be mounted on standard electrical ceiling boxes or directly on wall, using various types of fiber cables. There are various types of cable fixings. Up to four splices can be fixed here.

Made from High-grade polycarbonate (PC)

Dimensions : 85*85*22 mm
Weight : 48 grams



ComNet

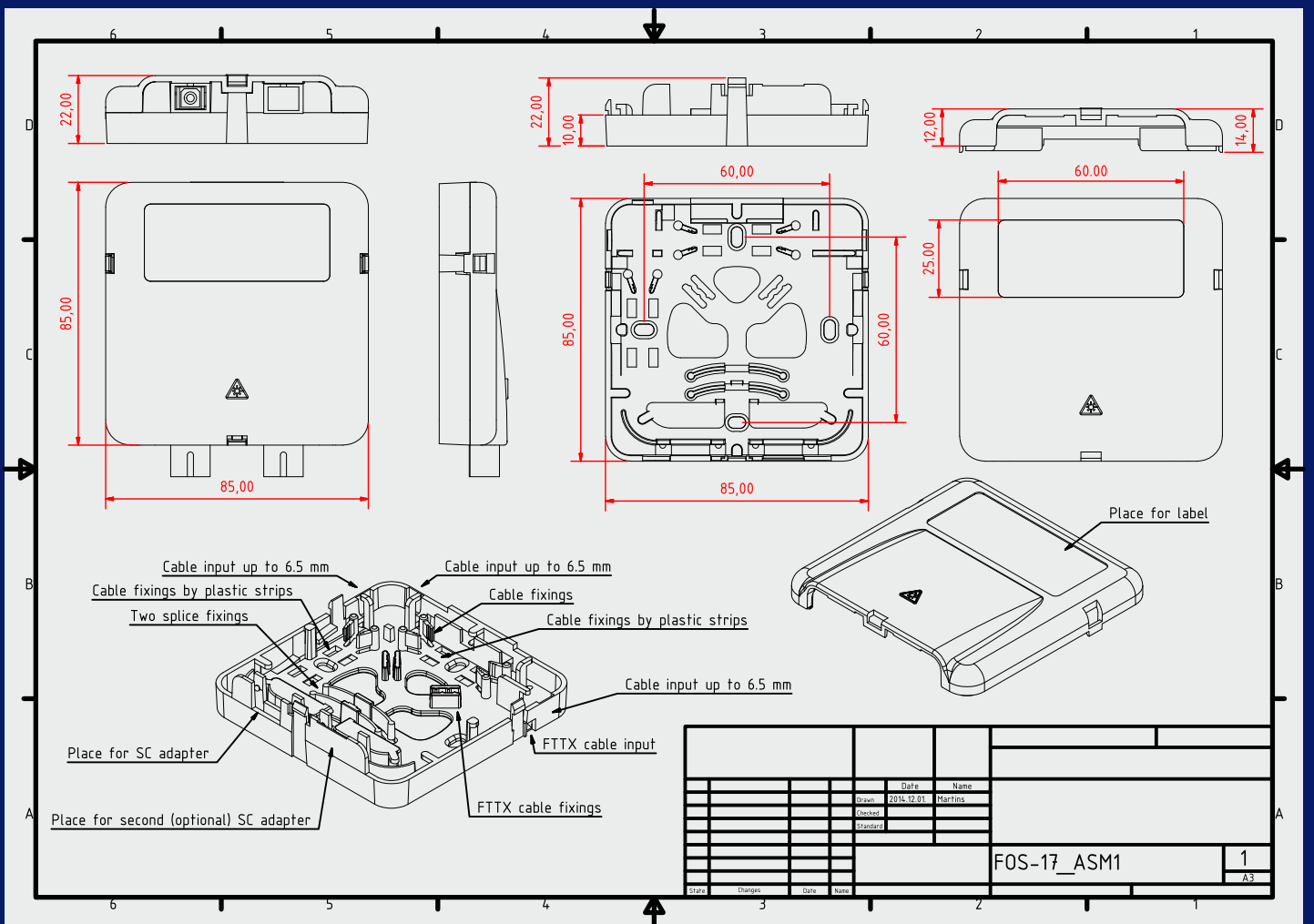
Producing of communications & data centers equipment since 1997th

FOS-17



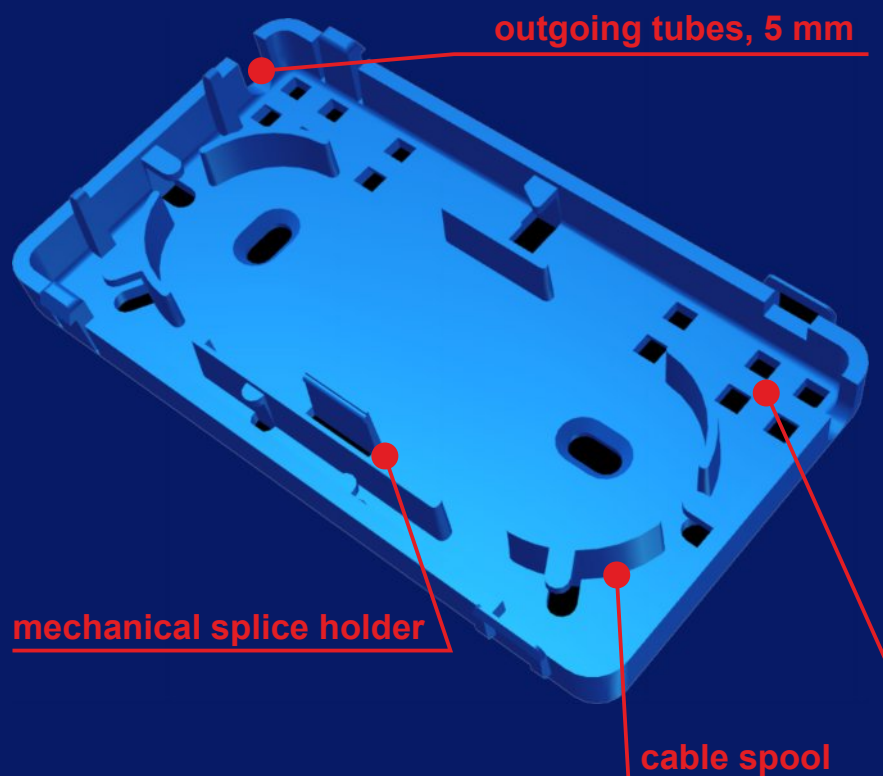
These products are possible adaptations to the customer's interior and can be made in different colors.

The top cover available in two versions : with recess for adhesive label or molded customer's logo on top cover.



COMNET

Producing of communications & data centers equipment since 1997th



FOS-18

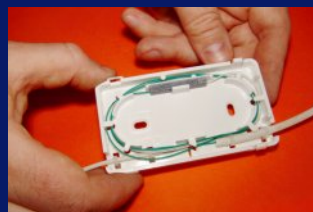
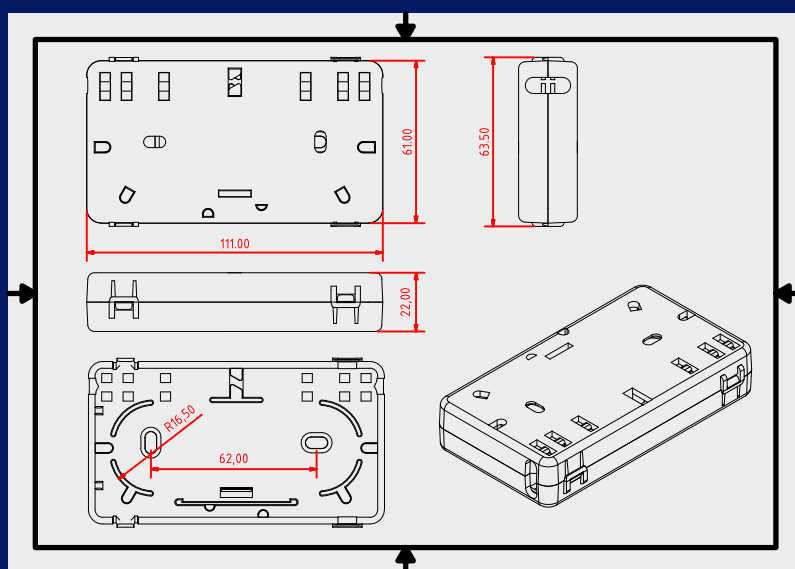
Mechanical splice protection enclosure with additional cable spool



enclosure consists of two identical parts

FOS-18 is fiber-optic splicing protection box for optical cable supply to end-user device. Designed for protecting one or two splices, using mechanical connectors.

Dimensions : 111*63*22 mm
Made from hig-grade PC plastic



ComNet

Producing of communications & data centers equipment since 1997th

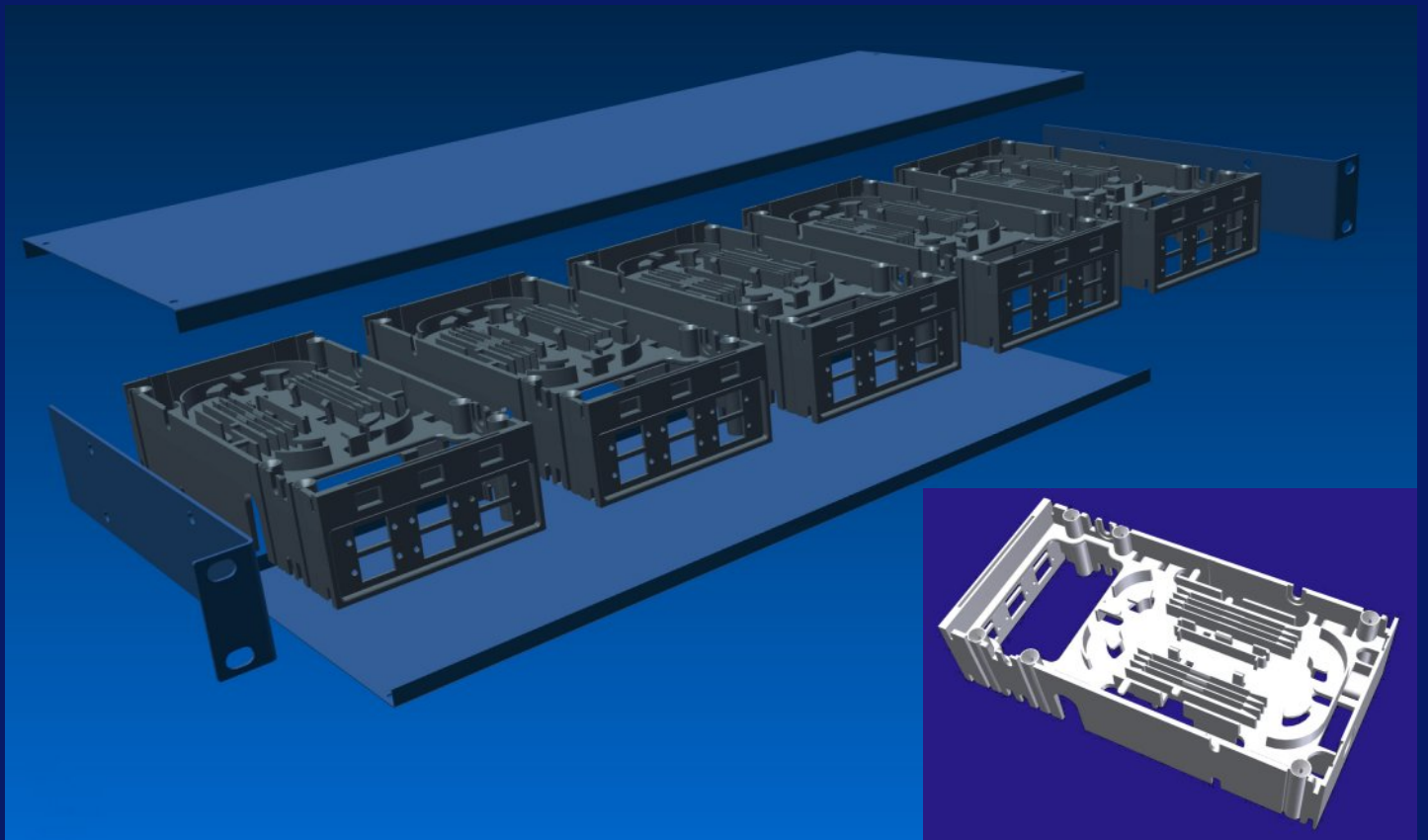
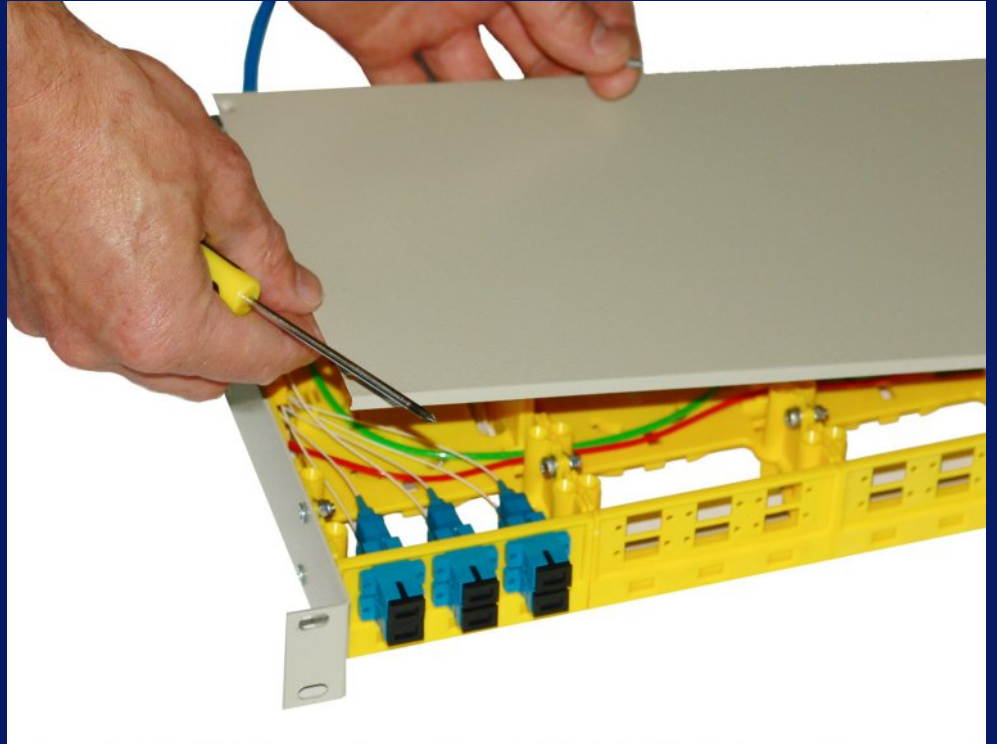
FOB-21

FOB-21 is the new generation patch panel whose construction incorporates various revolutionary solutions.

This patch panel is produced from molten ABS plastic blocks which include all necessary optical cable termination elements for cable fastening and adapter mounting.

These new technical solutions enable us to provide simple, highly integrated, multi functional 19-inch patch panel, with relatively low costs.

Dimensions : 483*200*44 mm
Made from hig-grade ABS plastic blocks with sheet steel panels.



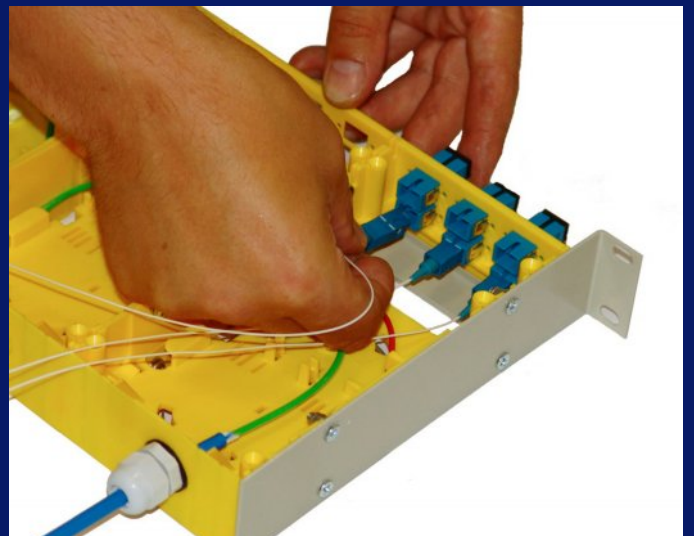
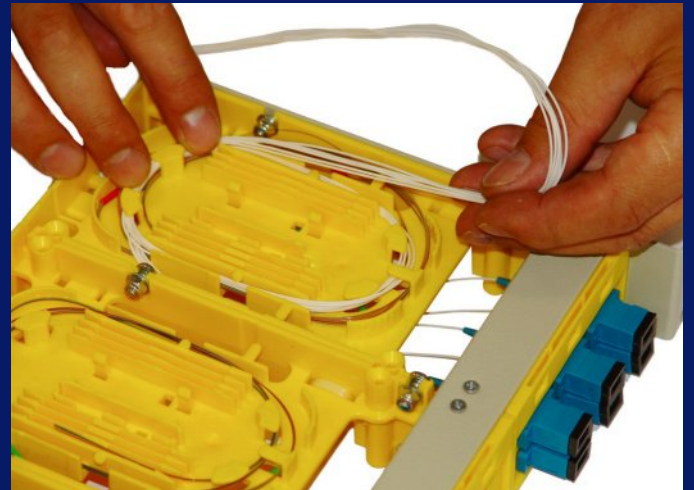
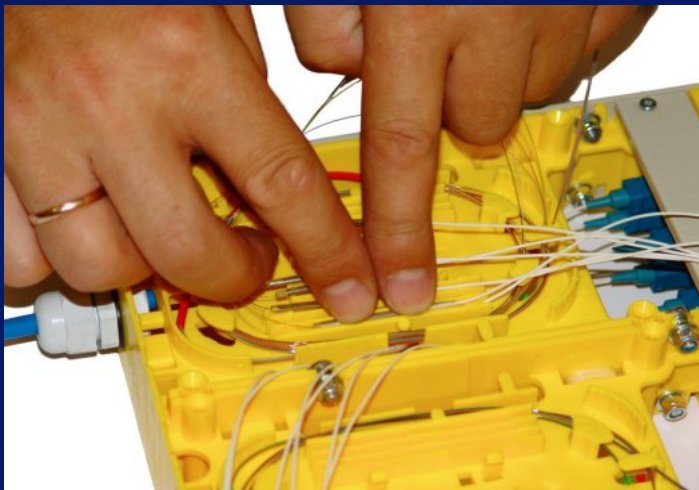
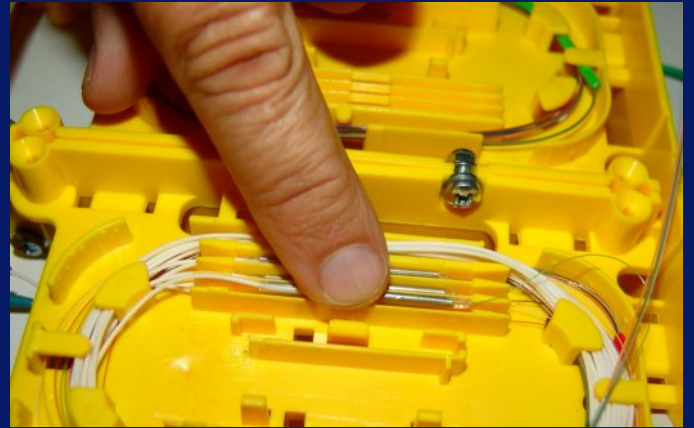
ComNet

Producing of communications & data centers equipment since 1997th

FOB-21

Patch panel FOB-21 designed for 30 SC or LC adapters installations. It is possible to supply each one of the five units with diameter up to 7 mm using PG9 type cable inlets, or with up to 12 mm thick cable using plastic strips.

There is an opening in each unit which allows incoming cable to be lead trough all units. Similar opening if required are possible to make in the patch panel backside.

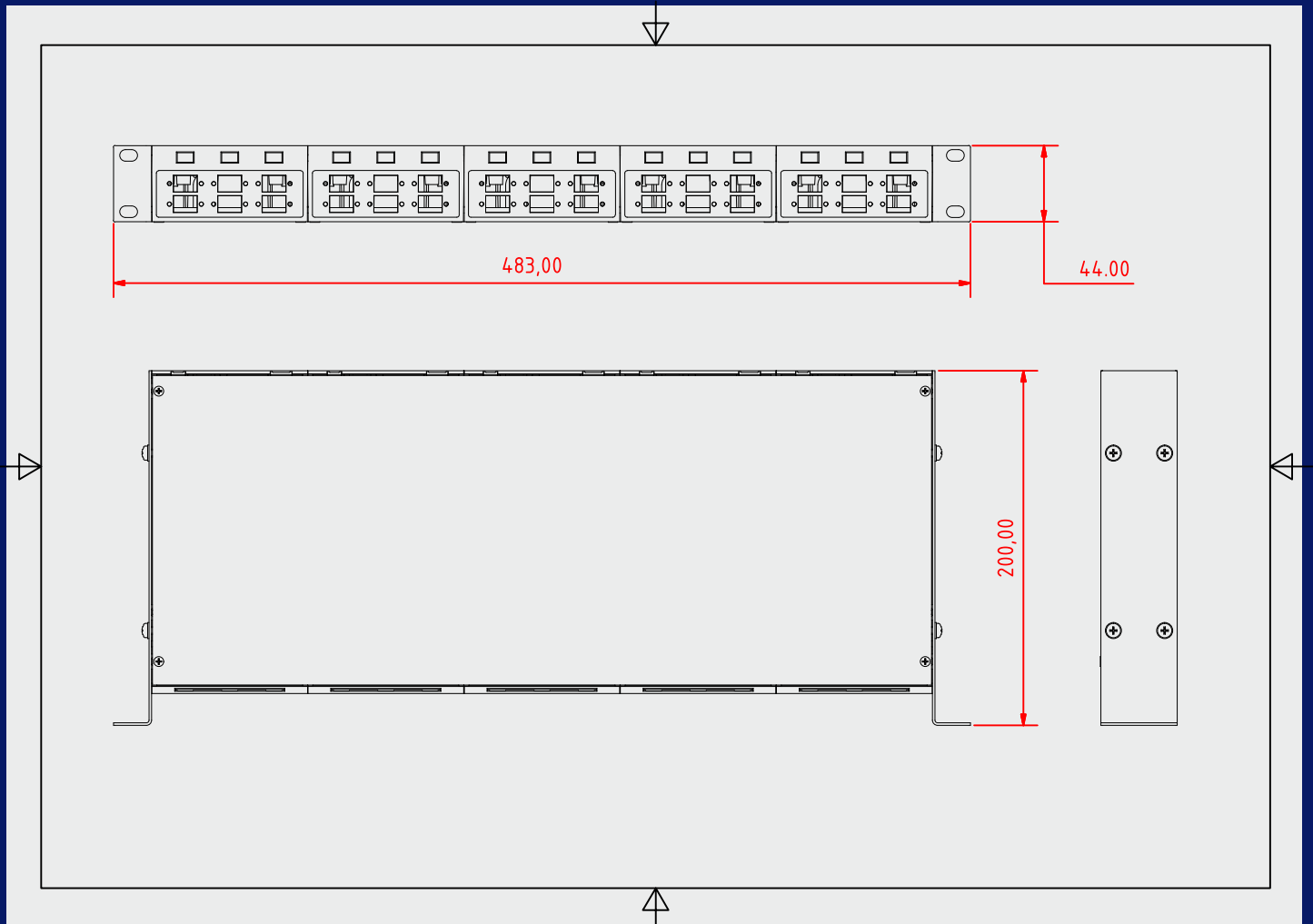
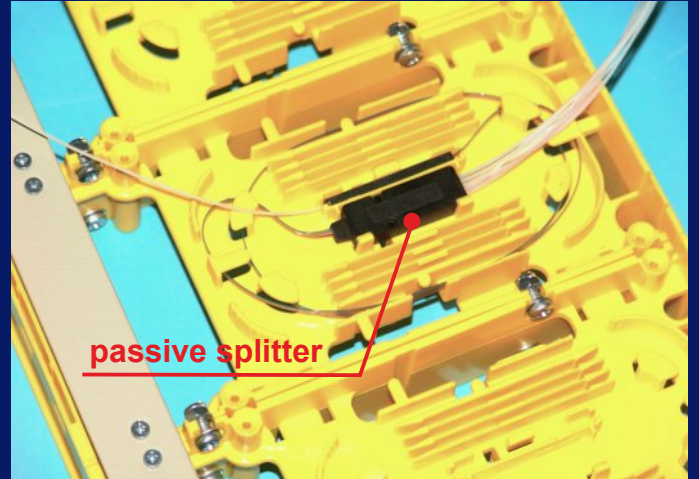
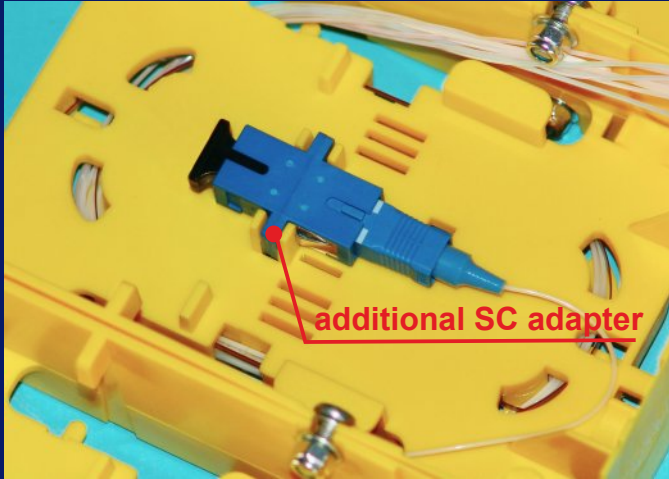


COMNET

Producing of communications & data centers equipment since 1997th

FOB-21

If required patch panel FOB-21 may be used for passive splitter installation. Here is corresponding fixings on each module. Also, here is a fixings for additional SC adapter on each unit downside



ComNet

Producing of communications & data centers equipment since 1997th

FOS-22

Fusion splice protection enclosure with additional cable spool

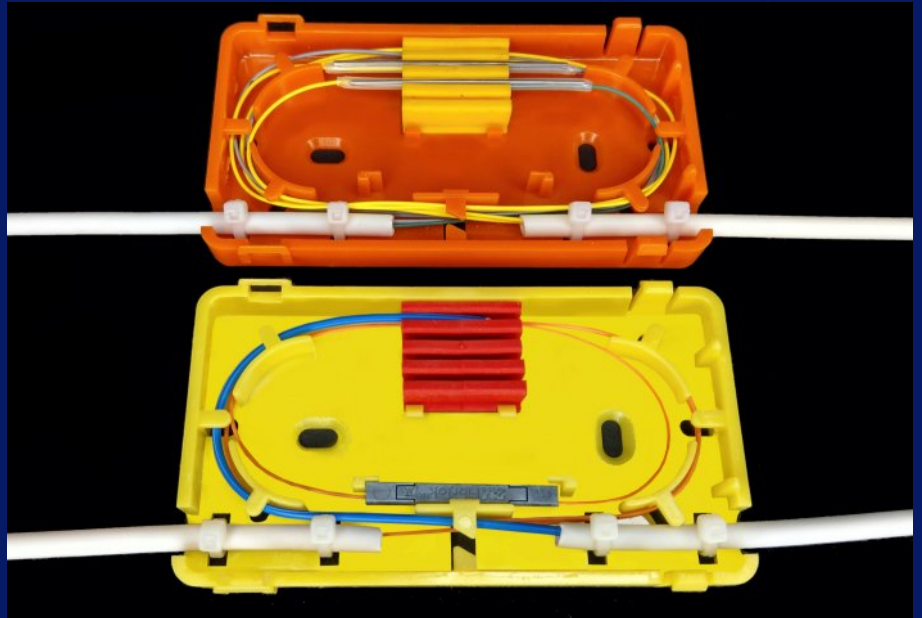
FOS-22 is fiber-optic splicing protection box for optical cable supply to end-user device. Contains fixings for both types of splices - mechanical and fusion

Enclosure consists of two identical parts and can hold up to two mechanical splice holders or up to 16 fusion splices
Fusion splices fixed using two FOS-10

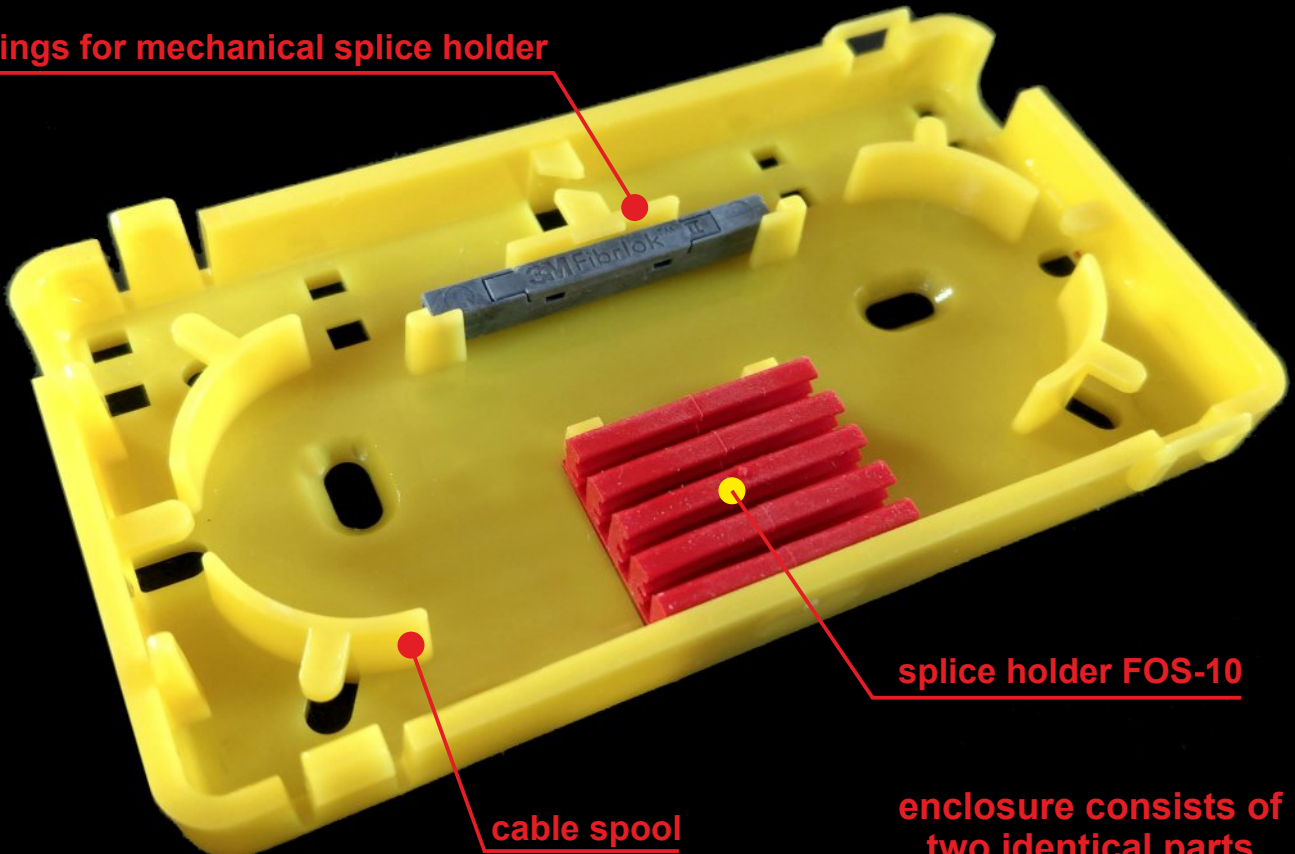
Dimensions : 111*63*22 mm

Weight : about 65 gr

Made from hig-grade PC plastic



fixings for mechanical splice holder



splice holder FOS-10

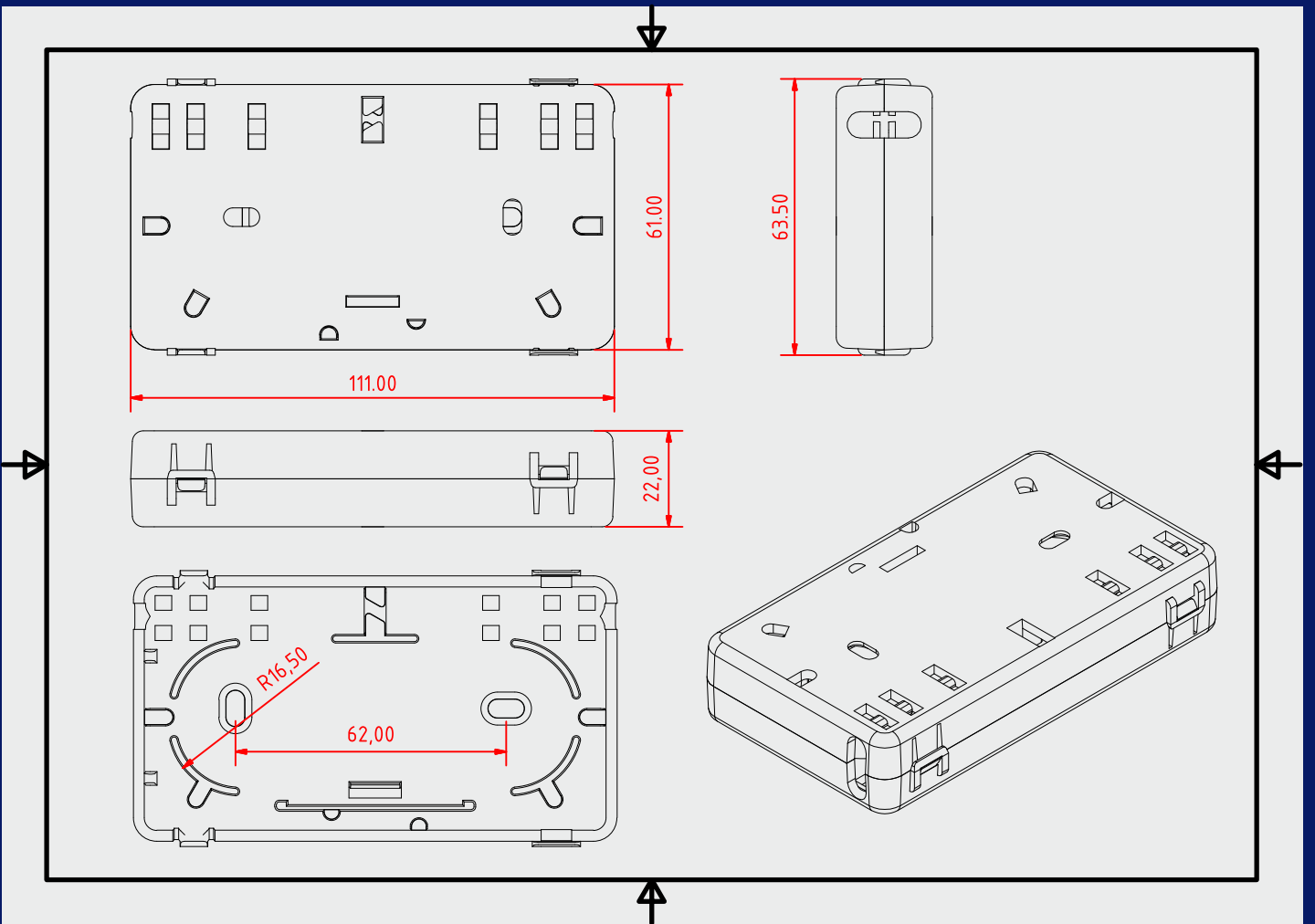
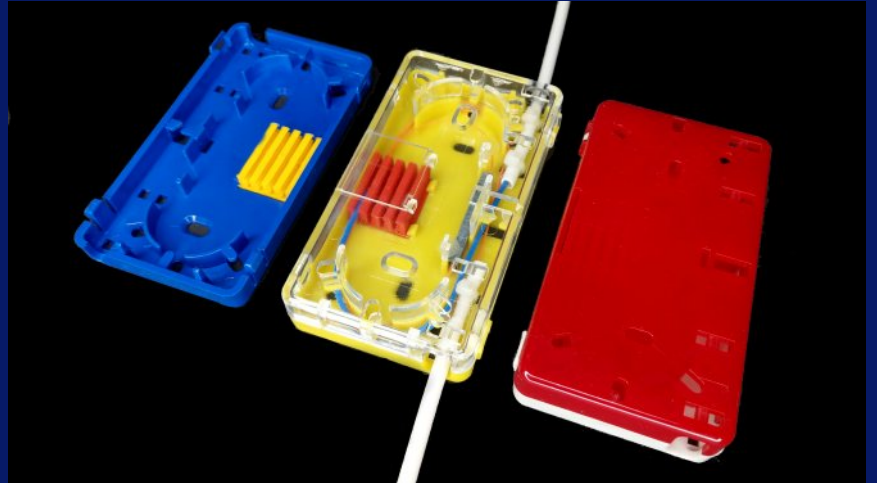
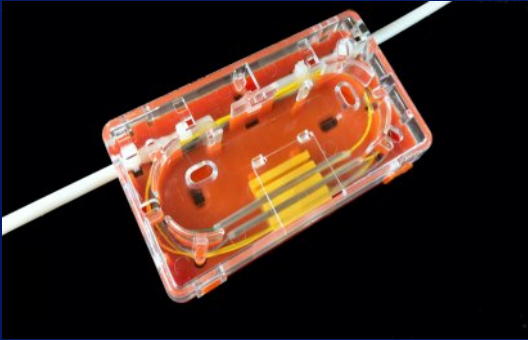
cable spool

enclosure consists of two identical parts

COMNET

Producing of communications & data centers equipment since 1997th

FOS-22



COMNET

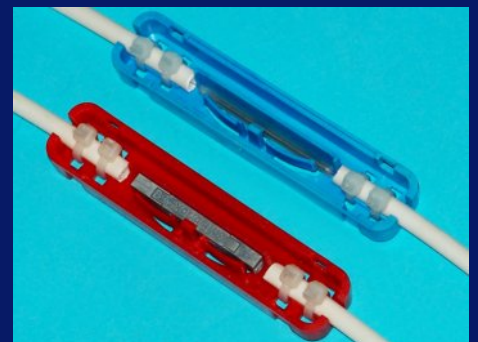
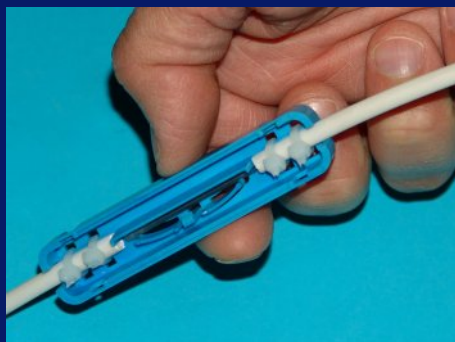
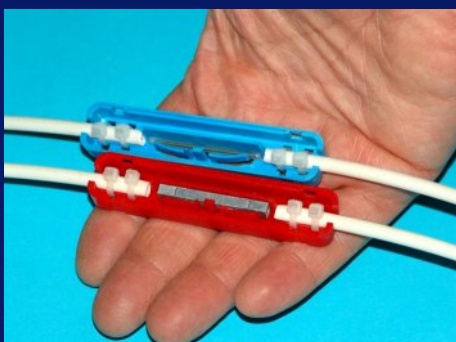
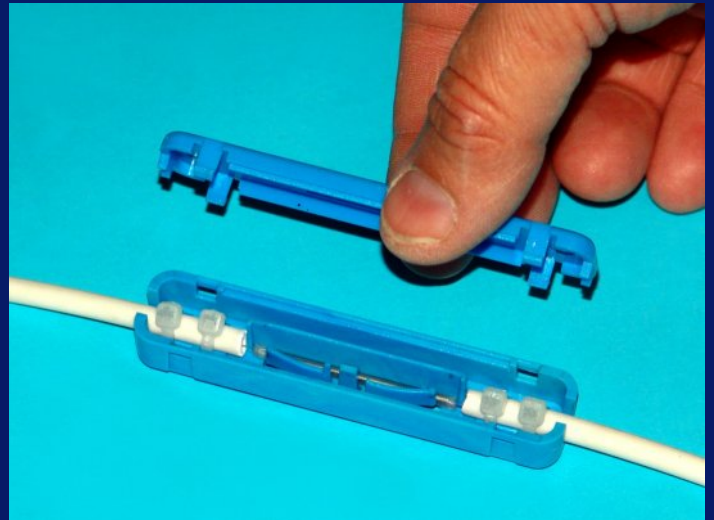
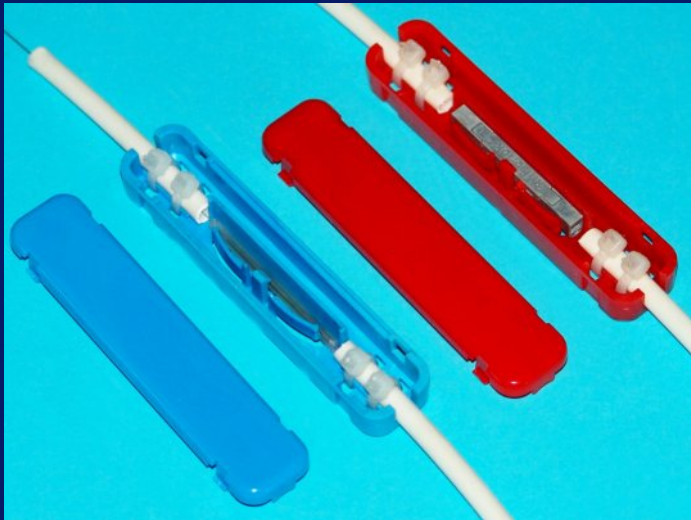
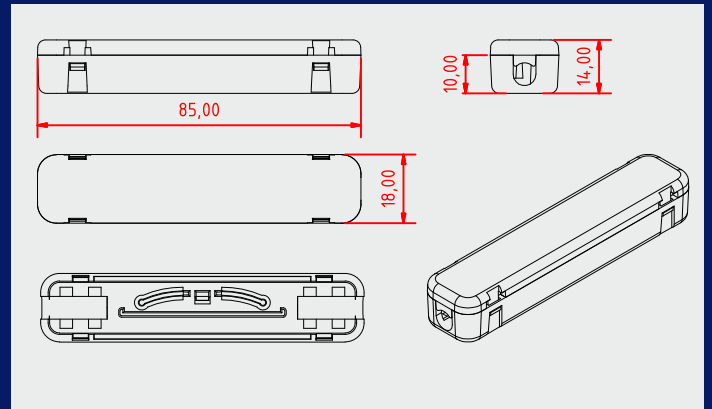
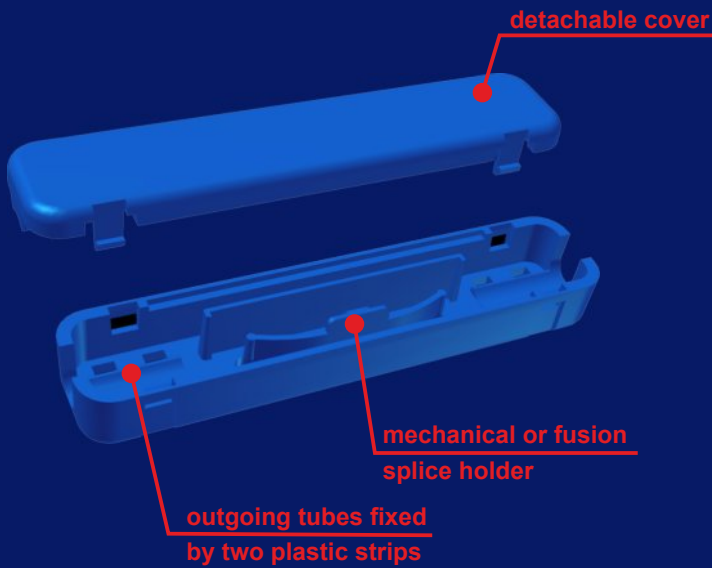
Producing of communications & data centers equipment since 1997th

FOS-23

Mechanical splice protection enclosure

FOS-23 is compact fiber optic splicing protection enclosure for FTTH solutions. There can be used mechanical connector or fusion splice also. Perfect repairing enclosure for one broken fiber.

Dimensions : 85*18*14 mm
Made from high-grade ABS plastic



ComNet

Producing of communications & data centers equipment since 1997th

FOS-24

Fusion splice protection enclosure with additional cable spool

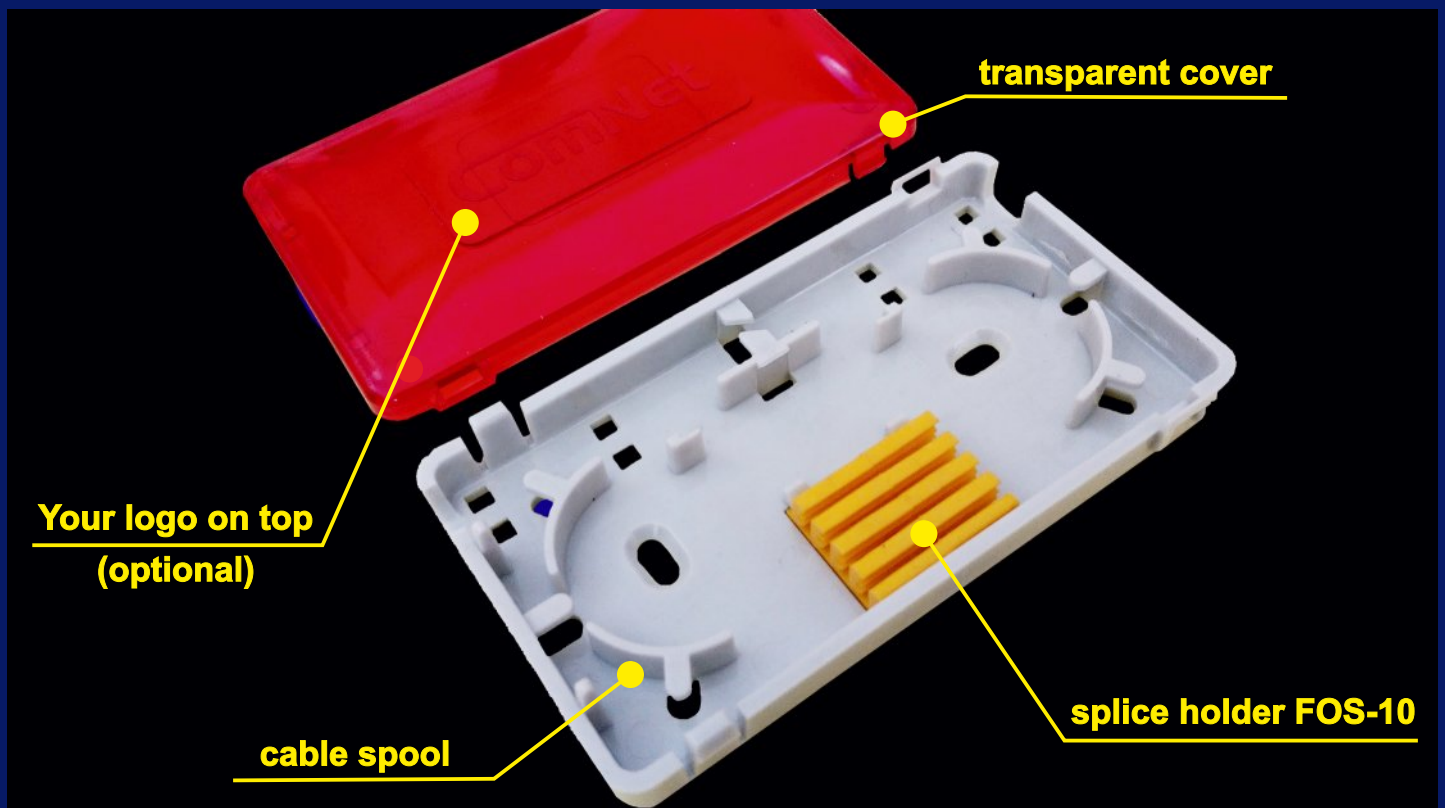
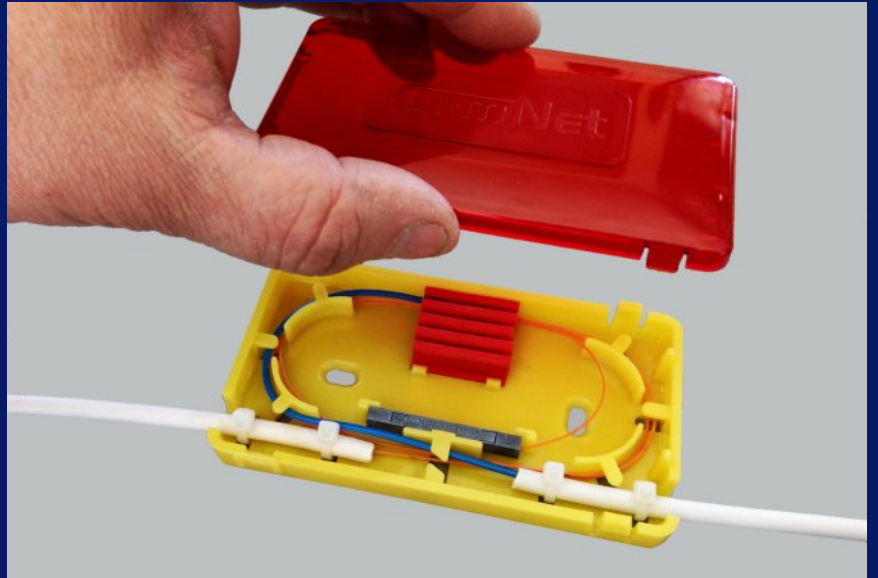
FOS-24 is very compact, closed fiber-optic splicing enclosure, provided for splicing up to 8 fusion splices
Contain one rubberized splice holder FOS-10 for gently fixing of splices

Enclosure consists of base, cover and splice holder. Incoming and outgoing fiber cables can be fixed with plastic stripes.

Dimensions : 111*63*22 mm

Weight : about 56 gr

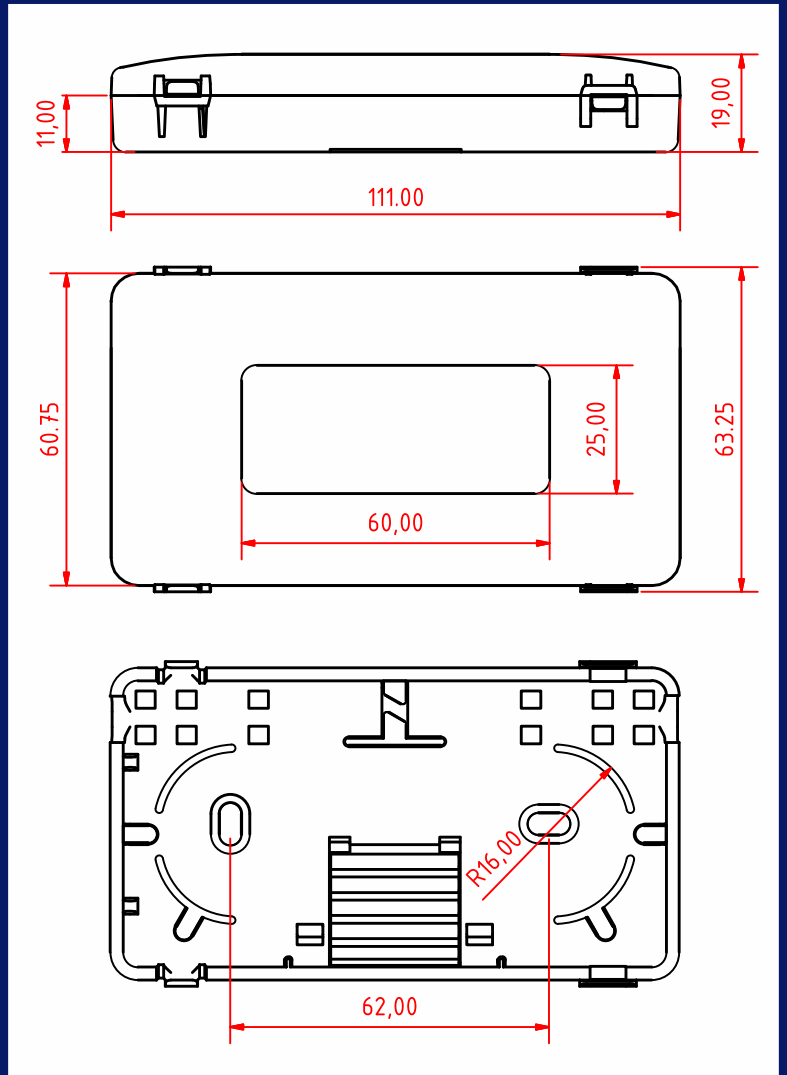
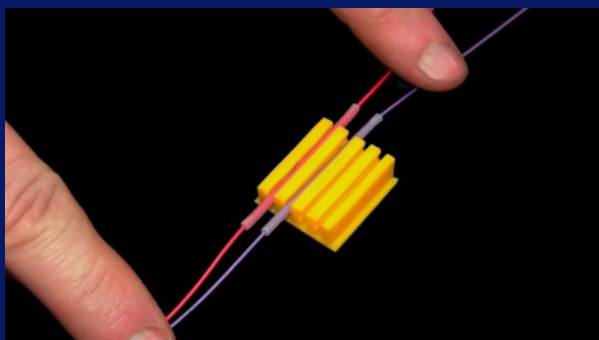
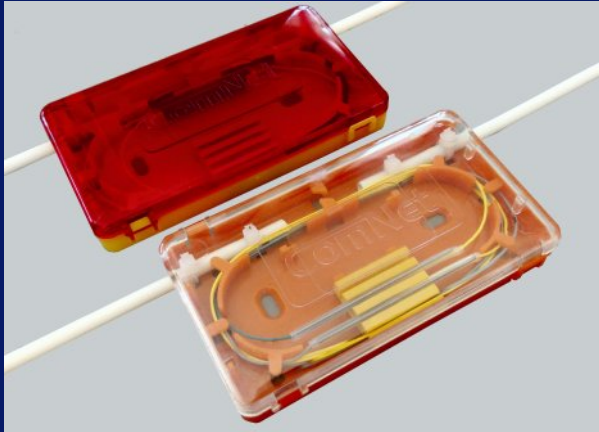
Made from hig-grade PC plastic



ComNet

Producing of communications & data centers equipment since 1997th

FOS-24

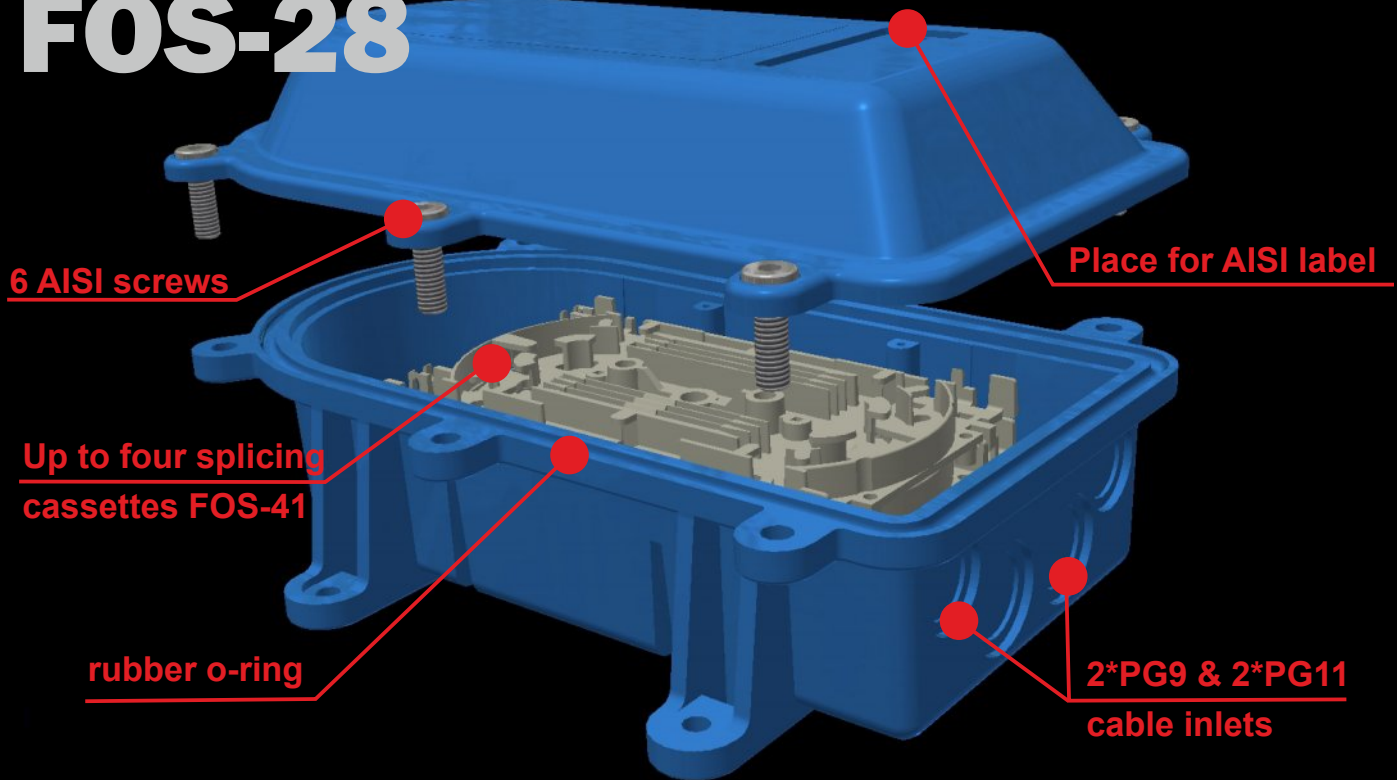


Splicing enclosure FOS-24 contains one rubberized splice holder FOS-10, provided for 8 connections.

ComNet

Producing of communications & data centers equipment since 1997th

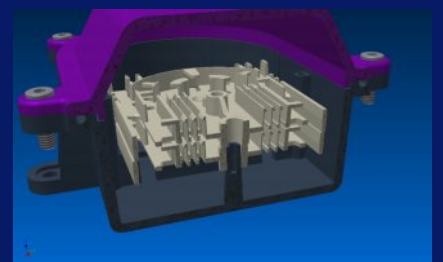
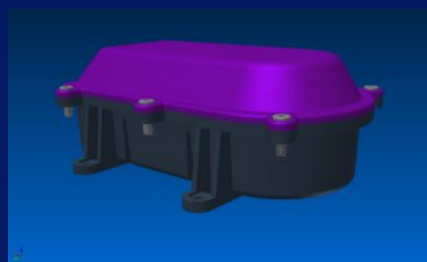
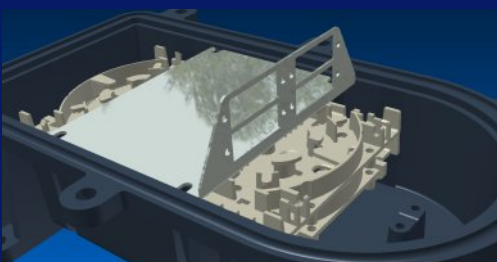
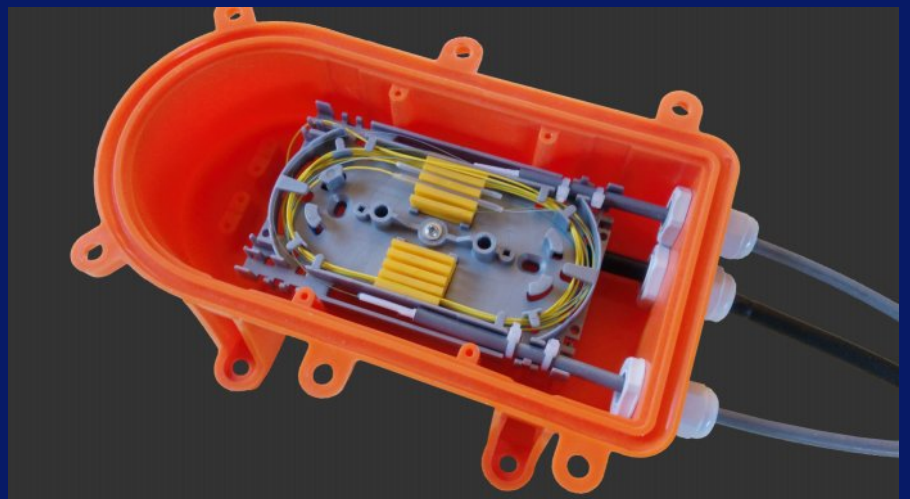
FOS-28



FOS-28 is outdoor fiber optic enclosure for FTTH applications. There can be installed up to four splicing cassettes, up to 48 splices. Optional adaptor plate and pole fixings available

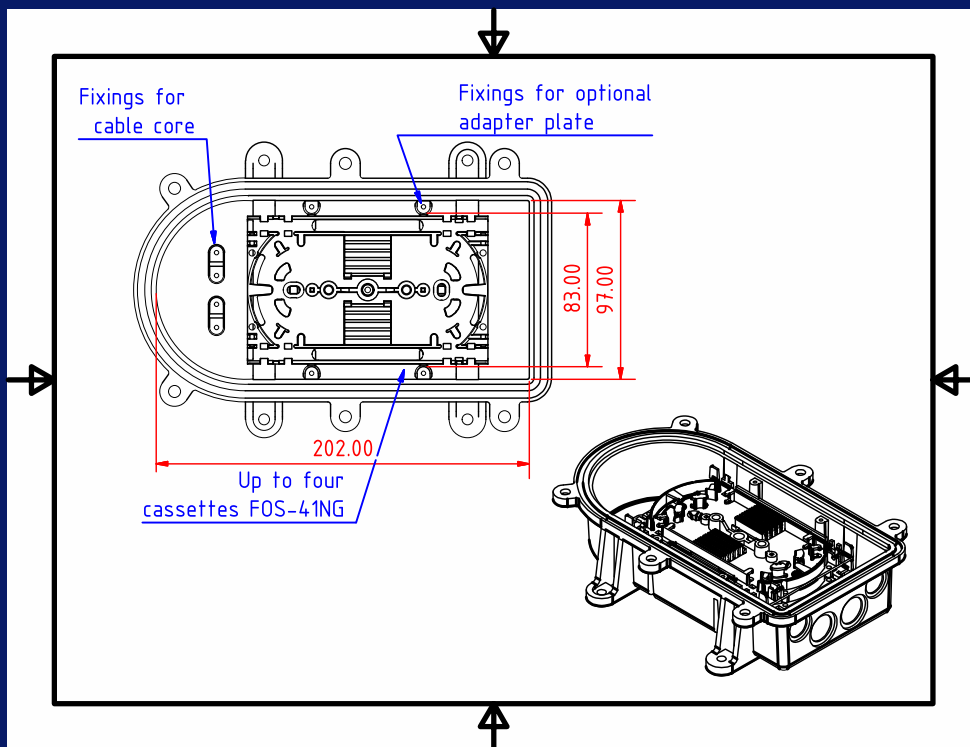
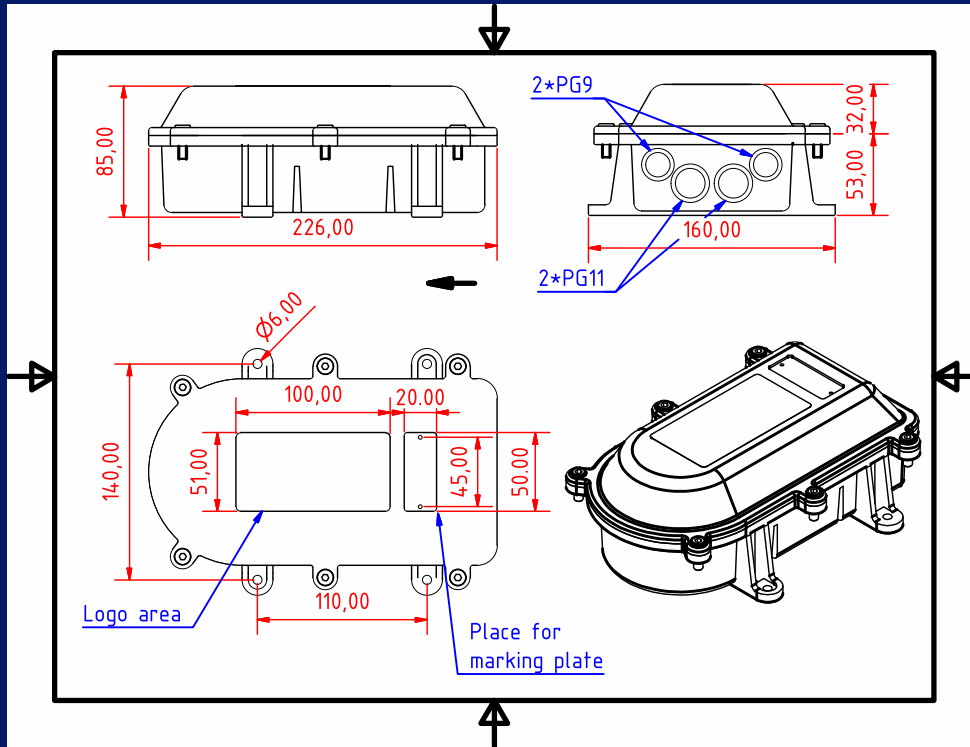
Dimensions : 226*140*85 mm

Made from chemically & UW resistant PVC plastic



ComNet

Producing of communications & data centers equipment since 1997th



Outdoor enclosure FOS-28 provided for installing up to four upgraded splicing cassettes FOS-41NG

Set includes sealing ring and six AISI screws

Optional marking plates available

COMNET

Producing of communications & data centers equipment since 1997th

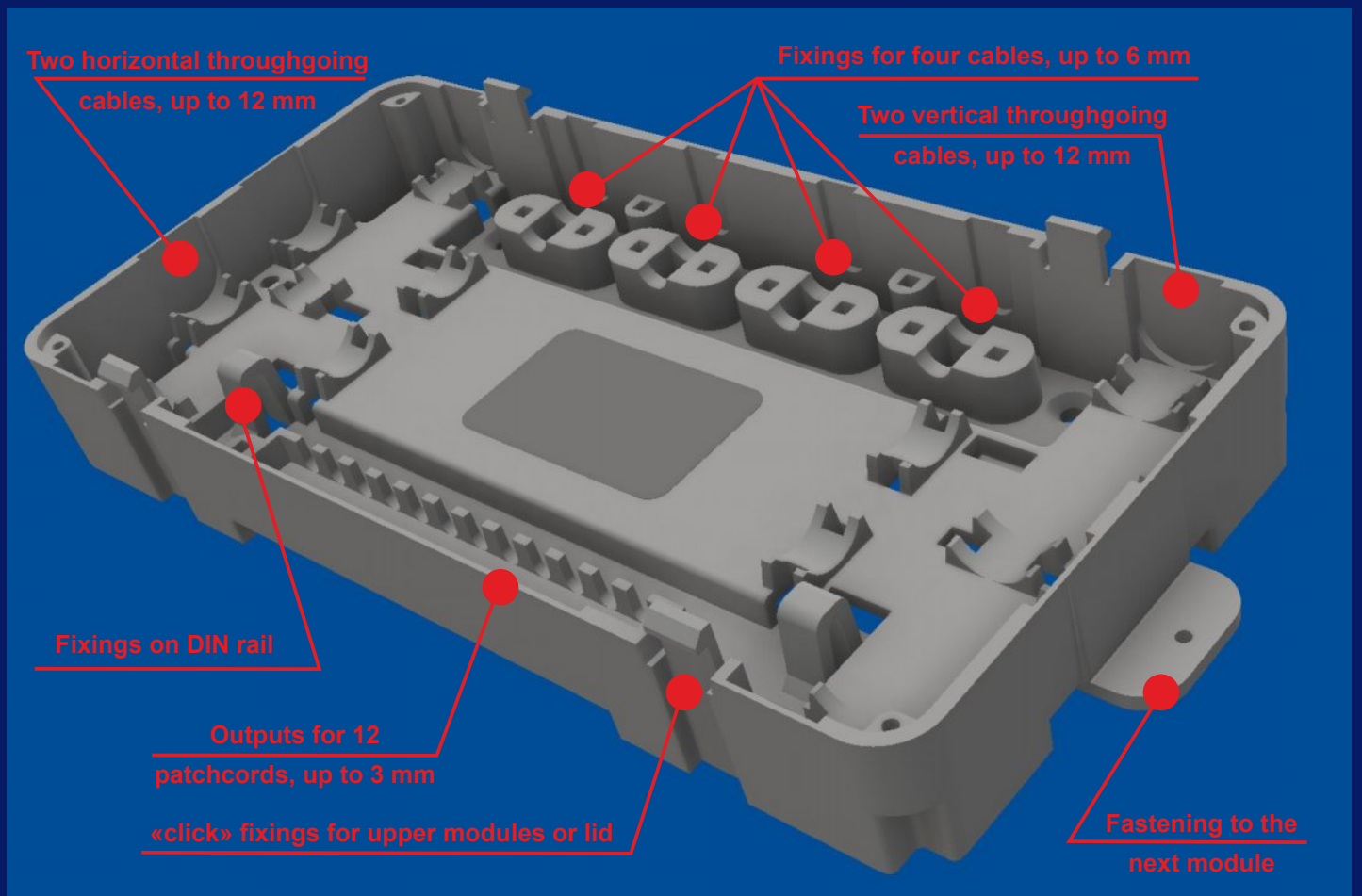
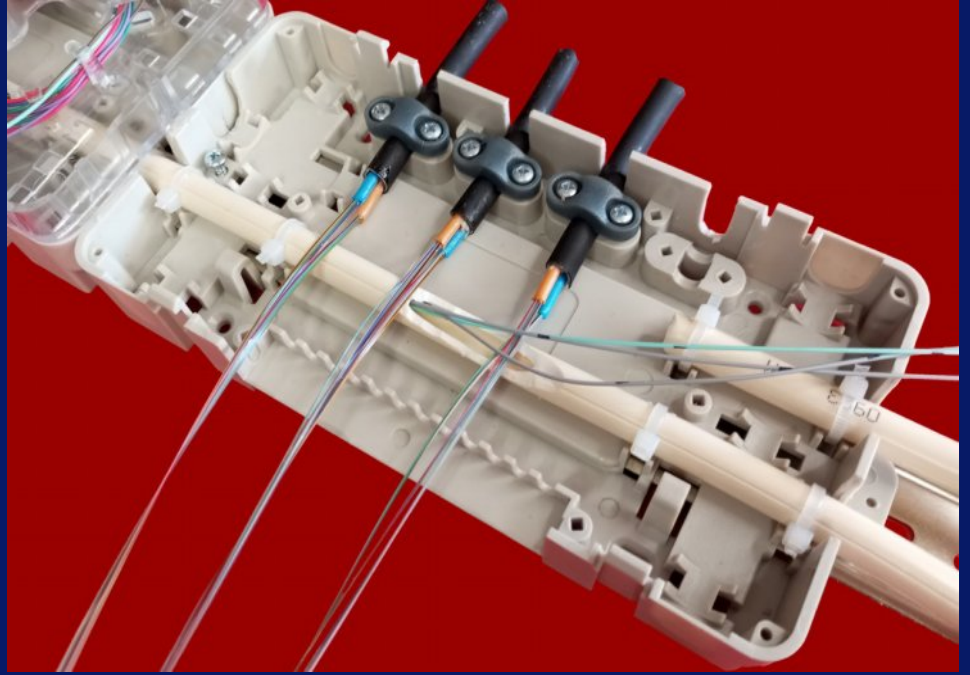
FOS-31

We opens new product serie, provided for fiber optic installation on DIN-rail in electric cabinets.

Thanks to a well-thought-out design, this product will allow many of our "under plaster" products to be installed in electrical distribution cabinets.

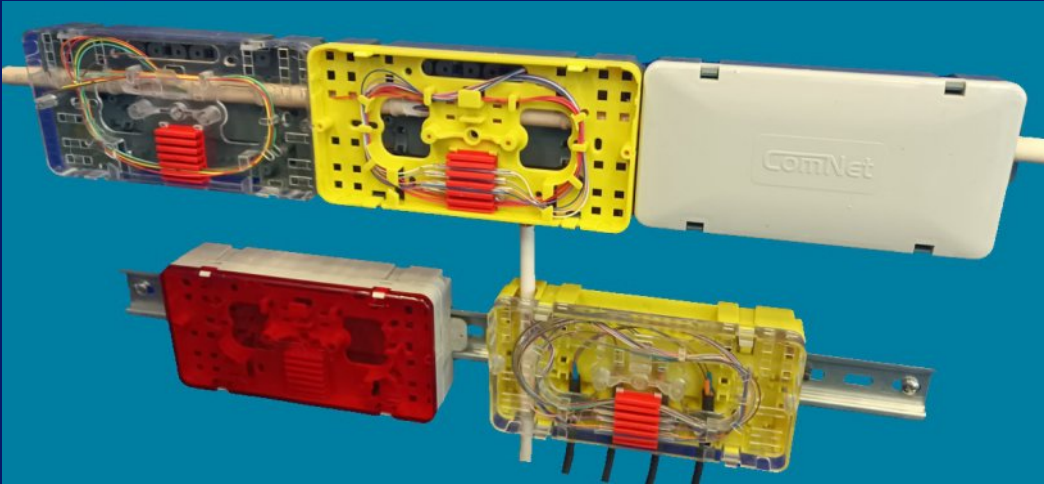
FOS-31, called a "cable box" provides fixation of incoming and outgoing cables, as well as connection of other modules, like splicing cassette FOS-38 and some others expected product in the future.

FOS-31 can be used for fiber optics or low-power cables both



ComNet

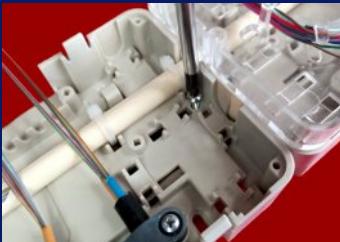
Producing of communications & data centers equipment since 1997th



This module can be fixed on standard 35 mm DIN-rail and serves as basement for other fiber optic products.

This makes installation easier and fiber optic elements can be integrated into existing power distribution systems.

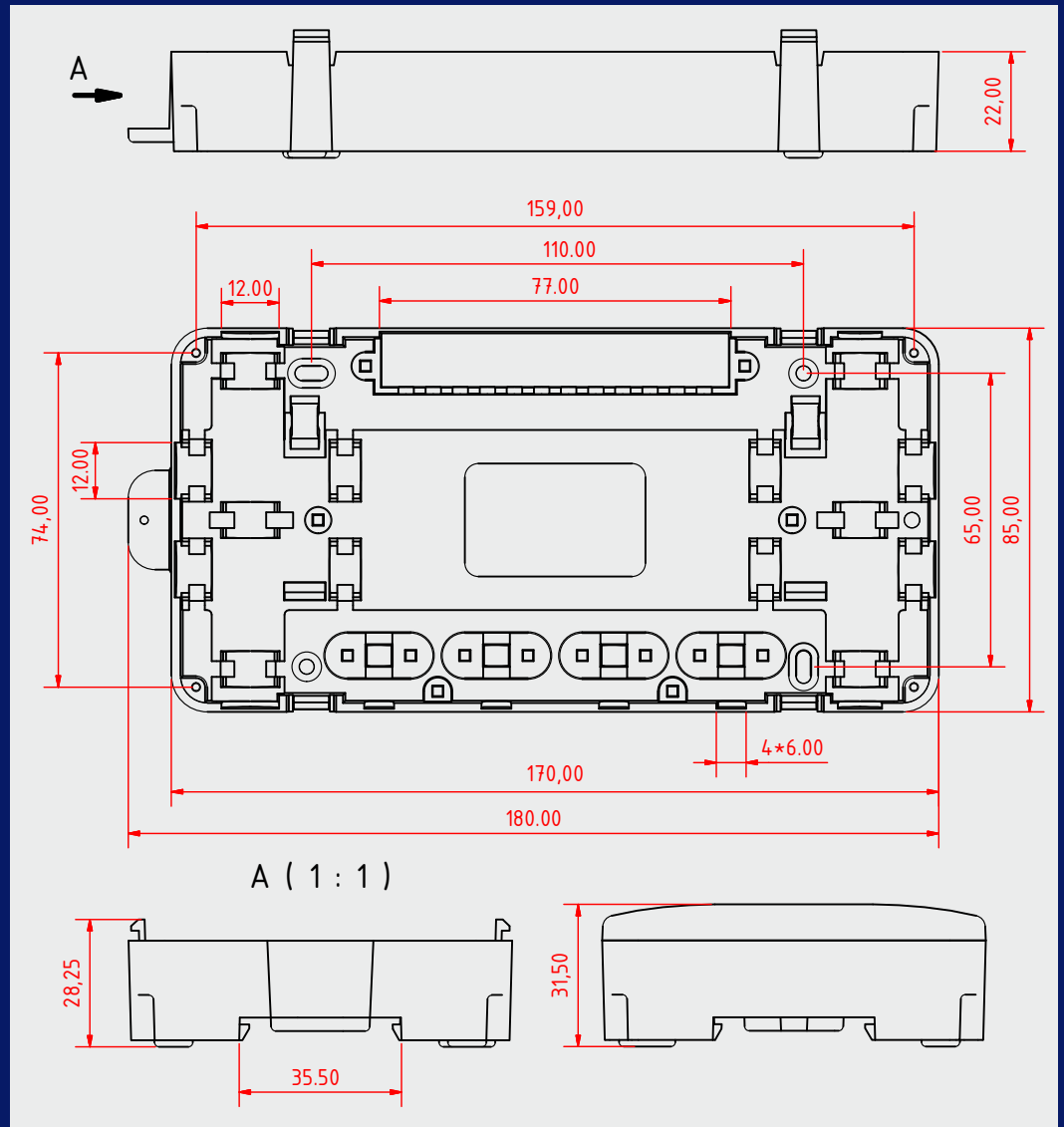
Two or more modules can be joined together on DIN-rail if You need to get more capacity. Just place modules next to each other and fix them with self-tapping screw



Label with customer's logo 25*60 mm can be molded on top cover

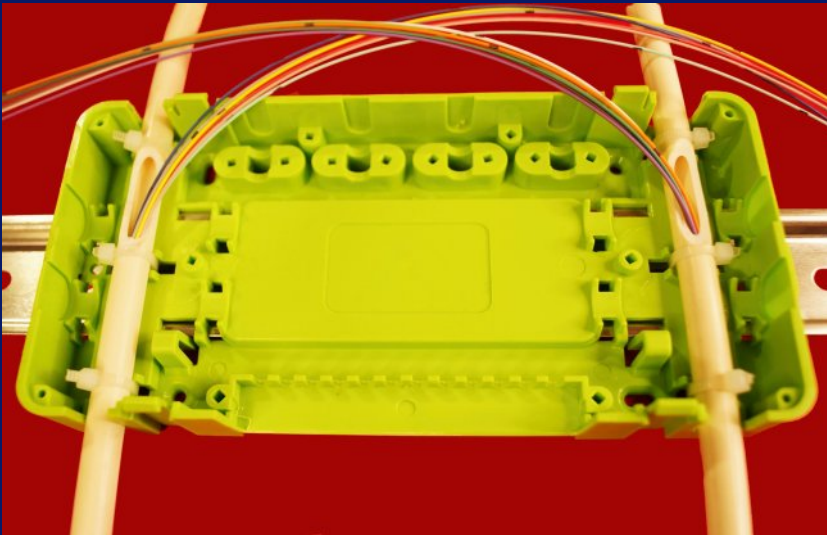
Made from High-grade polycarbonate (PC)

Dimensions with lid :
180*85*31.5 mm
Weight : 115 grams



ComNet

Producing of communications & data centers equipment since 1997th



This module has many options for fixing different entering cables.

There are fixings for :

Two vertical (throughgoing) cables, possible riser cable

Two horizontal (throughgoing) cables, possible riser cable

Four cables with diameter up to 6 mm

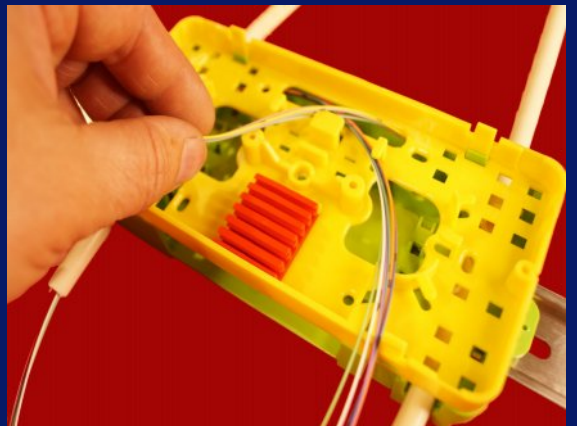
Up to twelve patchcords

The cables are fixed with clamps or plastic ties

When "cable-box" are placed on DIN-rail and all incoming cables fixed, You can close it with cap or add expansion modules.

Thanks to the unified design, some other product may be placed over this base module and easy fixed with "snap-fit" joints.

Add one or more splicing cassettes FOS-38 to join fiber optic cables. Each cassette provided for up to 12 fusion splicing joints

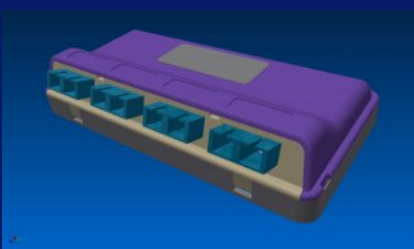
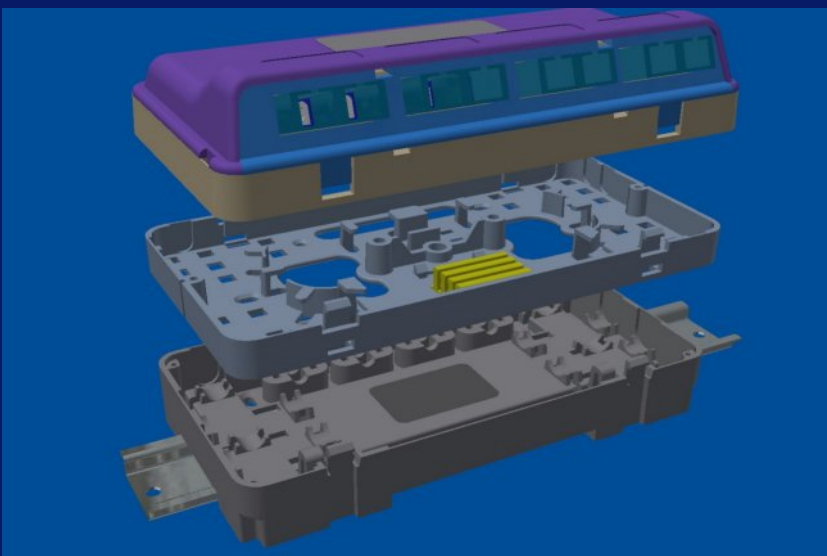


In 2024, we plan to launch another product for installation on DIN rail - socket FOS-25/

Universal socket module FOS-25 will be designed for four DuplexSC adapters and can be joined to base module FOS-31 or fixed on the wall, using standard electrical ceiling boxes.

if necessary, an additional cassette FOS-38 can be added. All these products are compatible with each other and have the same installation dimensions

In the future, we plan to expand the assortment of additional modules that will facilitate the installation of various optical and automation elements in standard electrical cabinets

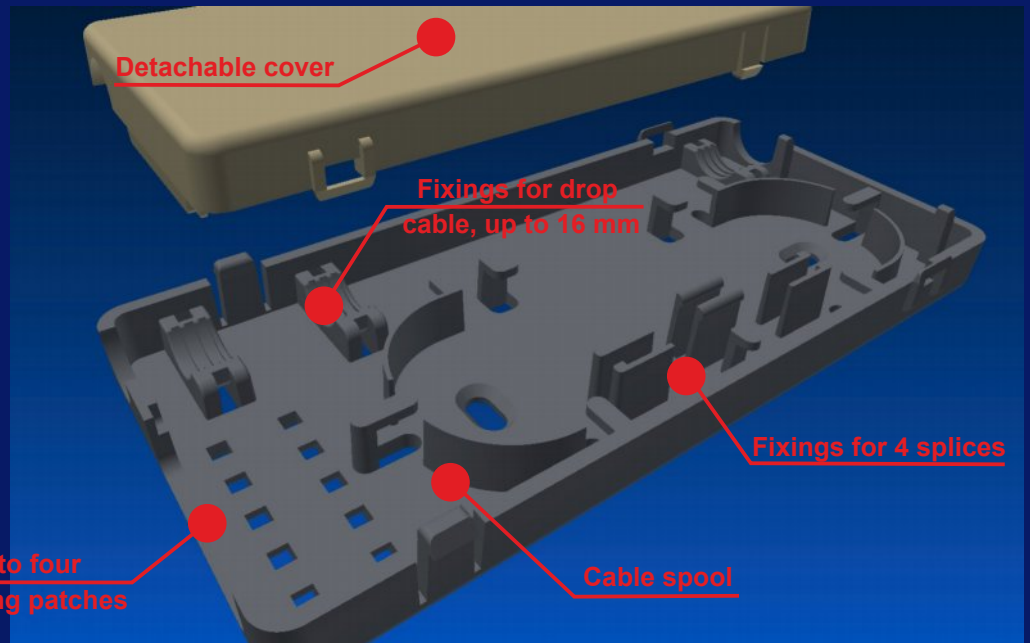


COMNET

Producing of communications & data centers equipment since 1997th

FOS-34

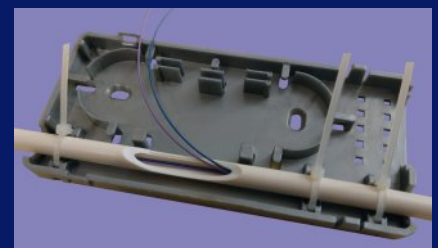
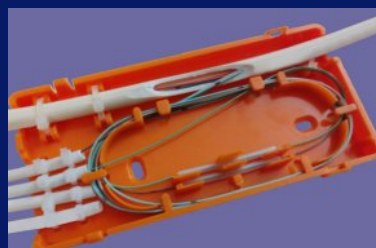
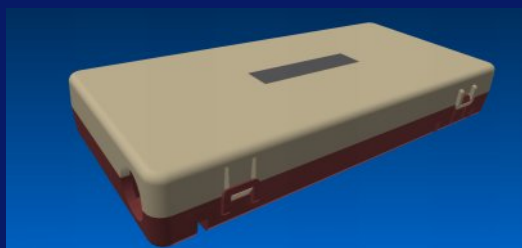
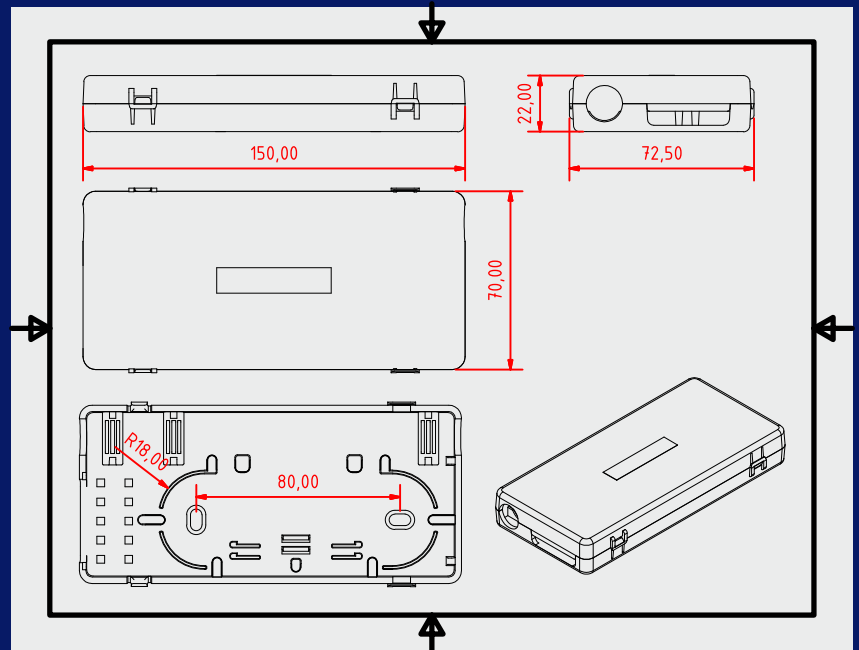
Enclosure FOS-34 designed for FTTH solutions in apartment buildings, using "drop-cable". This enclosure is smallest, than FOS-49 and provided for up to 4 outgoing fiber patch cords. There is fixings for four splices and small cable loop inside.



Label with customer's logo 10*45 mm can be molded on top cover

Made from High-grade polycarbonate (PC)

Dimensions : 150*70*22 mm
Weight : 85 grams



ComNet

Producing of communications & data centers equipment since 1997th

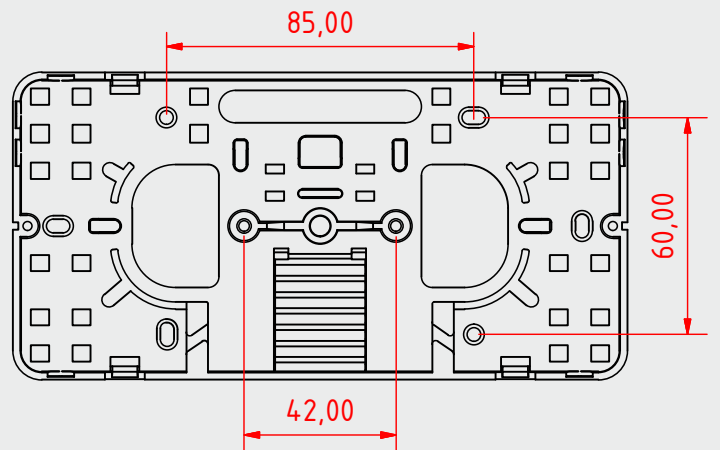
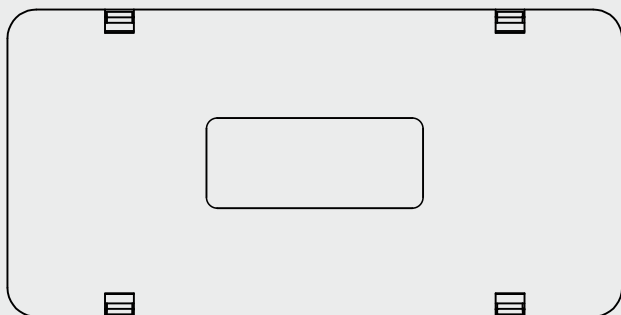
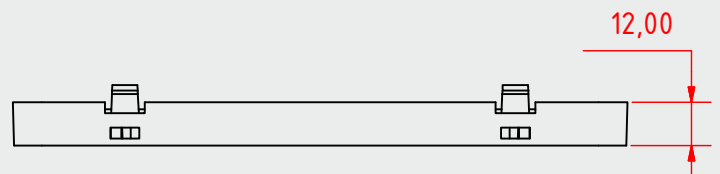
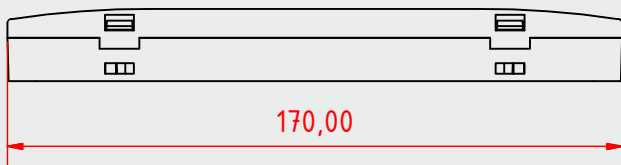
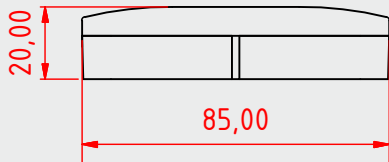
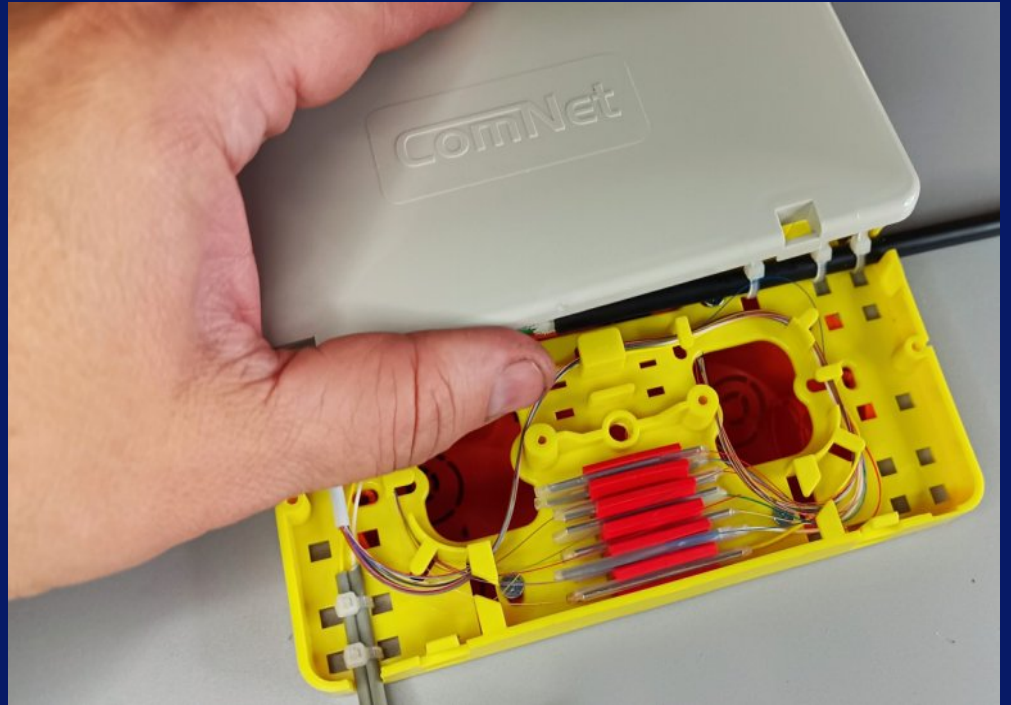
FOS-38

Splicing cassette FOS-38 intended to be used for various indoor purposes, using above plaster fiber cables or under plaster cables.

Can be installed on electrical ceiling boxes or directly on wall.

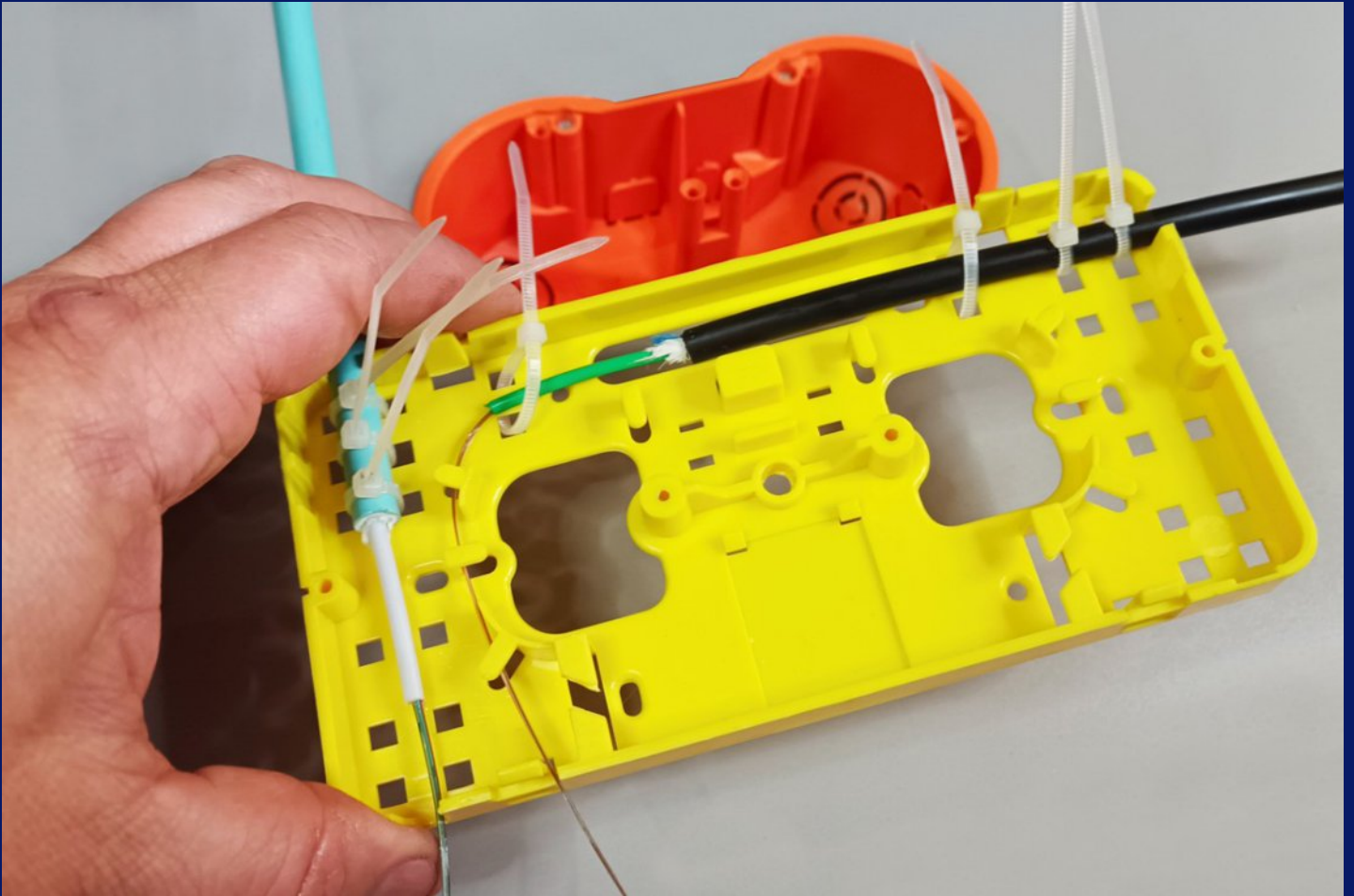
This cassette includes new splicing holder FOS-20 and provided for 12 junctions

Cassette FOS-38 is dedicated for 12 optical strands to make connection for up to 6 surface cables with diameter not more than 8mm and 1 under plaster cable with diameter up to 6mm.

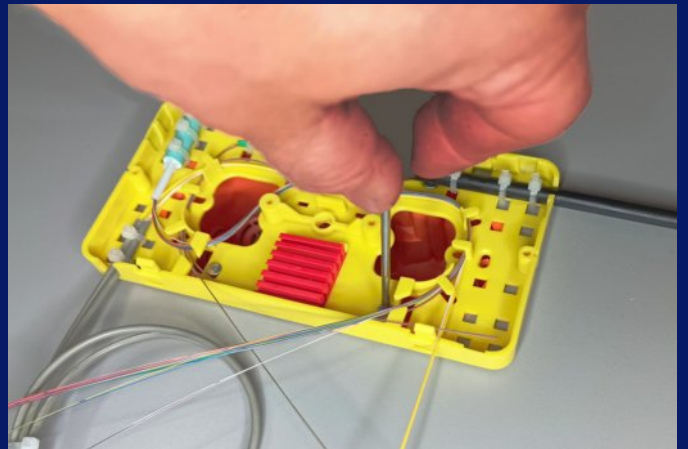


ComNet

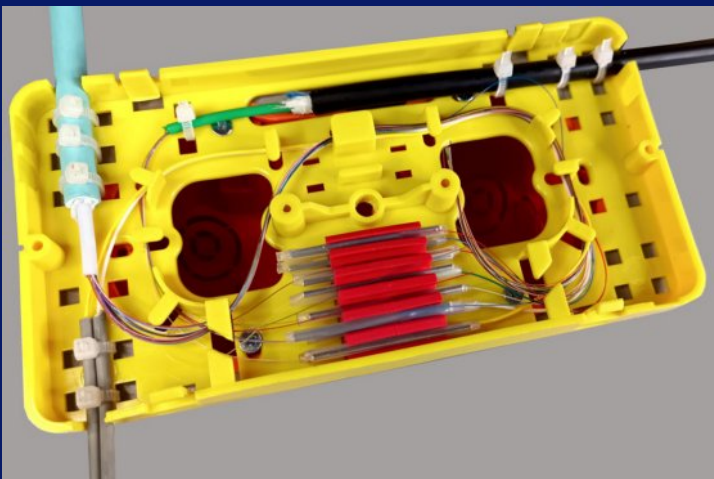
Producing of communications & data centers equipment since 1997th



This product is logical continuity of our FTTH product line, which is specially designed for single wall electrical box for better inhouse fiber network integration using existing electricity installation tubes under the plaster.

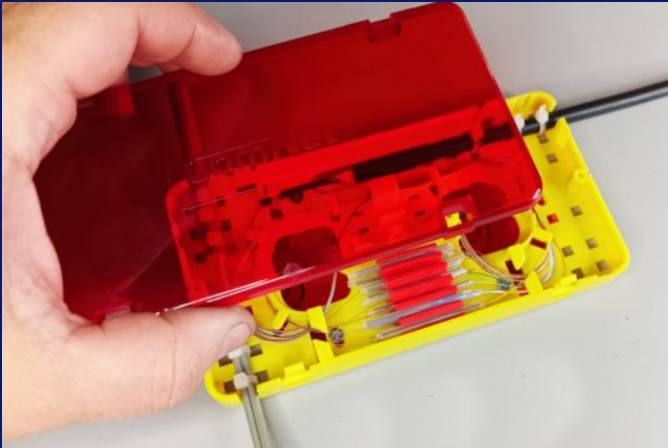


As first in this product line was fiber optic wall socket FOS-17, now the next in line is FOS-38 which we will further use as base for upcoming products in this line. This cassette occupies two ceiling boxes and equipped with detachable cover.



ComNet

Producing of communications & data centers equipment since 1997th



Cassette FOS-38 is dedicated for 12 optical strands to make connection for up to 6 surface cables with diameter not more than 8mm and 1 under plaster cable with diameter up to 6mm.

This cassette occupies two ceiling boxes and equipped with detachable cover. The cassette consists of soft rubberized splice holder FOS-20 and lid where there is an option to embed customer logos. Also, customers have an option to order cassettes in different colors, fit to interior design.

Lid also could be transparent or tinted transparent



Need more connection? Simply stack more !
Thanks to a special design, the cassettes can be simply connected on top of each other. The openings in the base allow the optical fibers to be routed to the next cassette.

Additional cassettes can be ordered separately.

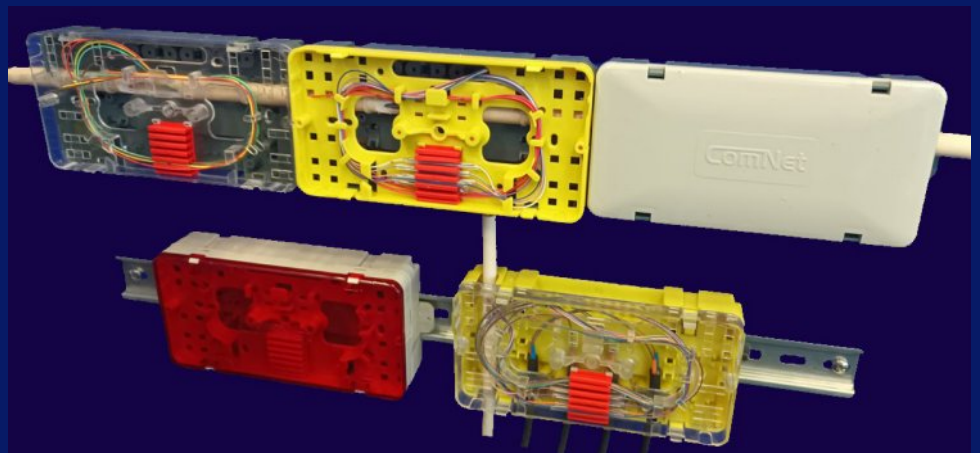
Basic color schemes available from stock :

- white base / white lid
- white base / transparent lid
- light gray base / red tinted transparent lid
- black base / red tinted transparent lid

Using DIN rail mountable "cable box" FOS-31 as basement, You can easy fix those cassettes in any electrical cabinet. In this way, fiber optic network will be integrated in to various industrial cabinets or "smart home" systems.

if You need to make a detachable connection, just attach on the top off cassette wall socket FOS-25 (*) and You can install up to four DuplexSC adapters here !

(*) sheduled at the end of 2024



Label with customer's logo 60*25 mm can be molded on top cover
Made from High-grade polycarbonate (PC)

Dimensions : 170*85*12 mm (without lid), 170*85*20 mm (with lid)
Weight with lid : 85 grams

COMNET

Producing of communications & data centers equipment since 1997th

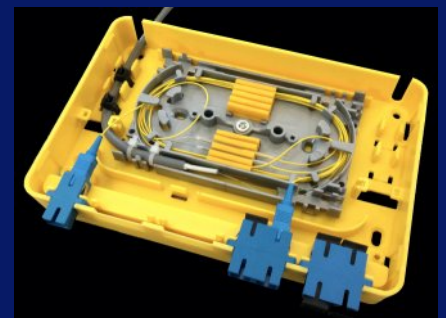
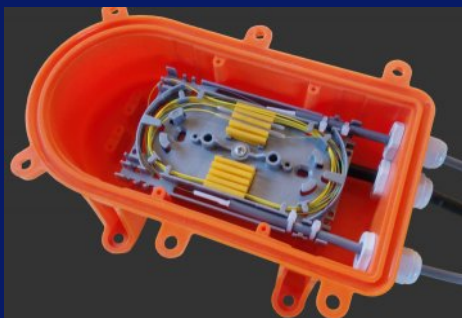
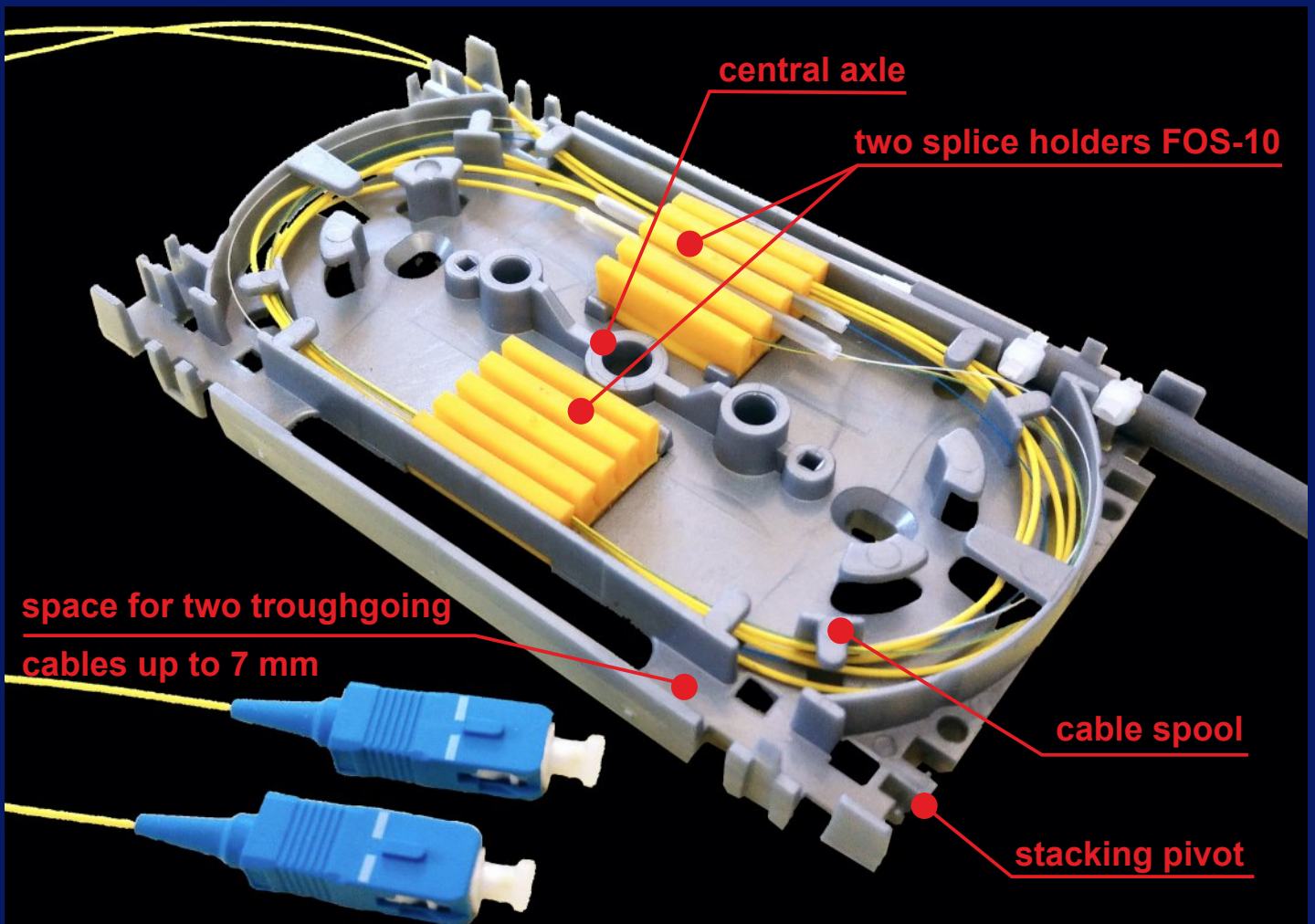
FOS-41NG

New generation very compact fiber optic splicing cassette for up to 16 splices

In 2022th Our splicing cassette FOS-41 was updated and two soft, rubberized splice holders added.

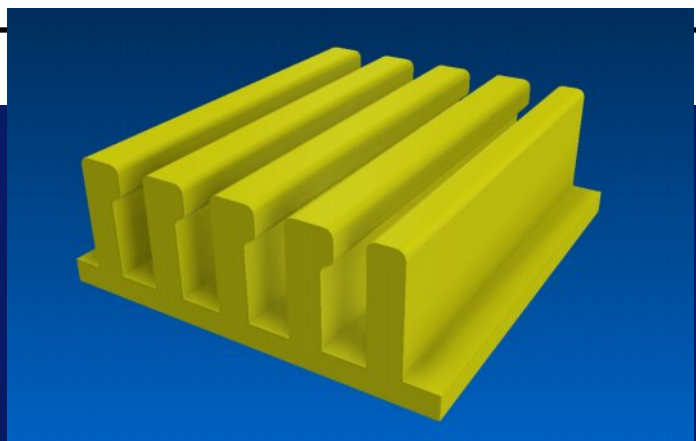
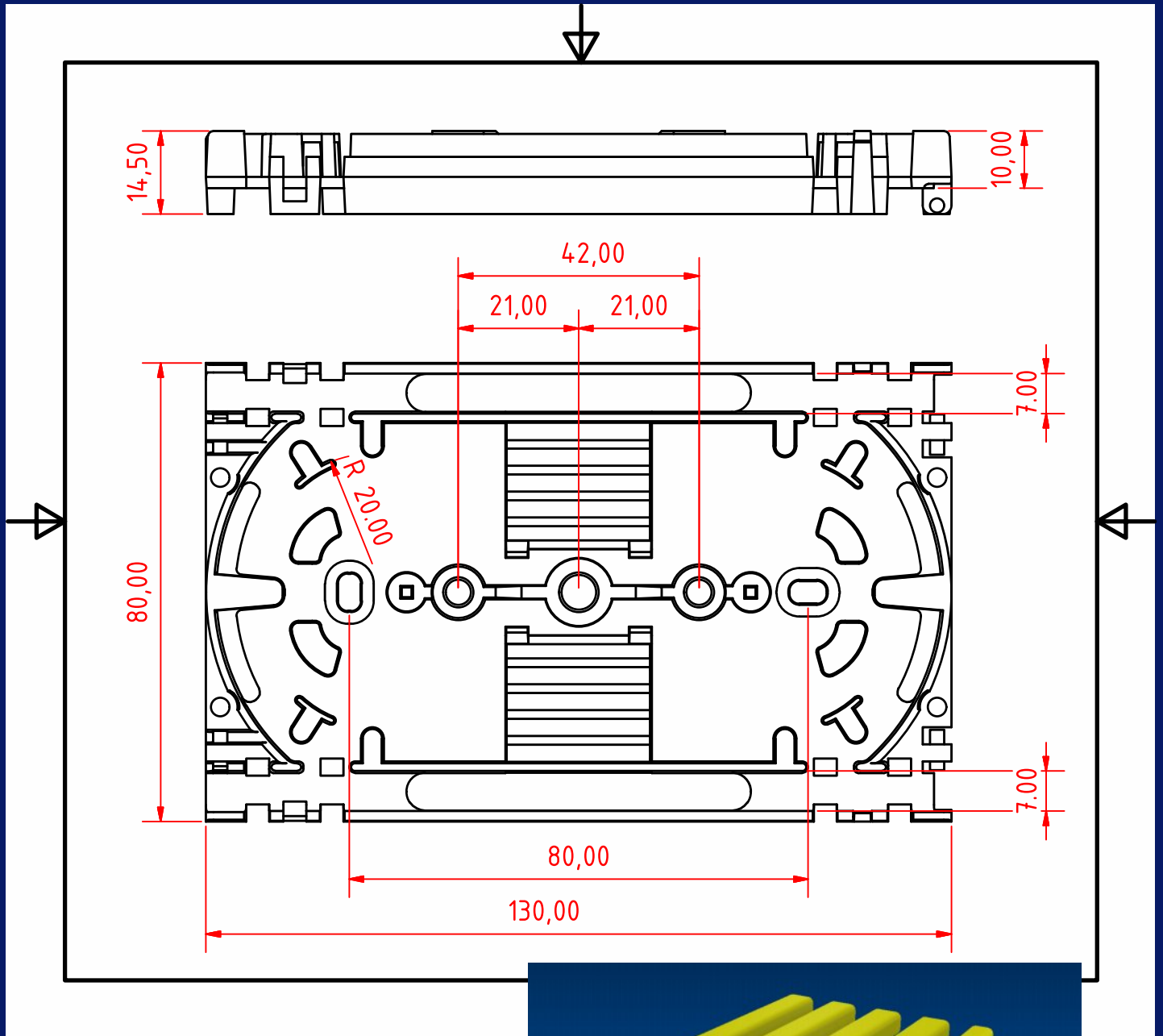
This new model FOS-41NG fully replaces previous model and serve as key component for many other fiber optic products.

One cassette provided for 16 splices.



ComNet

Producing of communications & data centers equipment since 1997th



Thanks to two soft splice holders FOS-10, new cassette gently fixes up to 16 splices

Dimensions : only 130*80*14 mm
Weight : about 38 gr

When stacking, each cassette occupies only 10 mm of height

Made from hig-grade PC plastic

COMNET

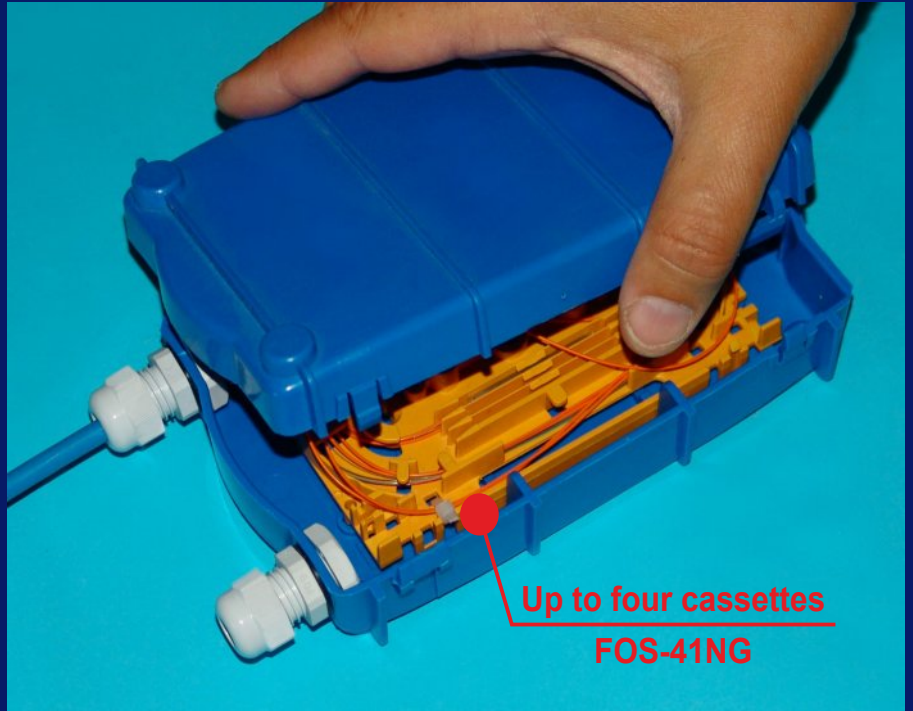
Producing of communications & data centers equipment since 1997th

FOS-42

FOS-42 is serie of indoor fiber optic enclosures, provided for optical cables splicing, using cassettes FOS-41NG.

There is five different models with capacity up to 48 splices.

Made from ABS plastic



FOS-42AA



FOS-42AB



FOS-42AC



FOS-42BB



FOS-42BC

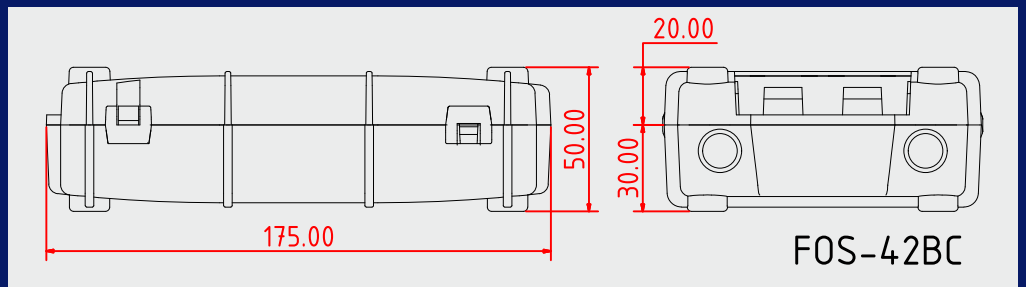
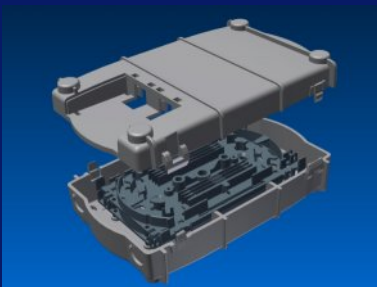
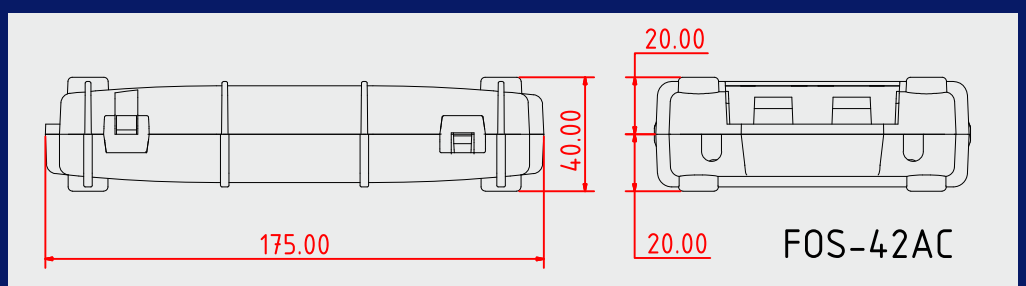
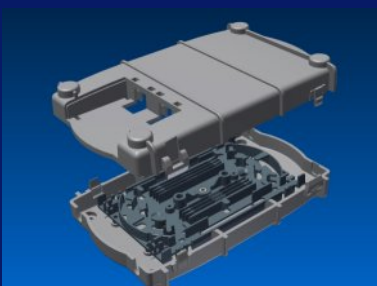
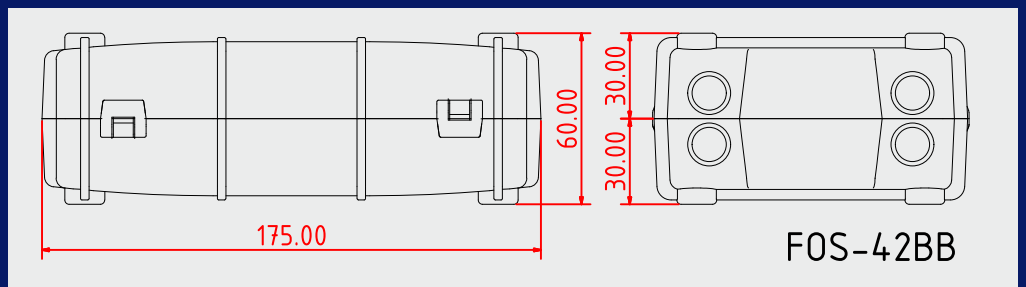
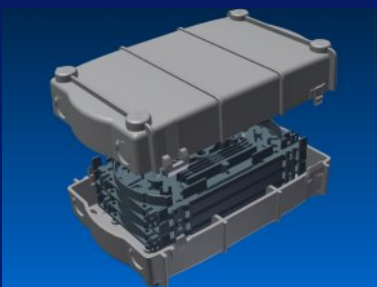
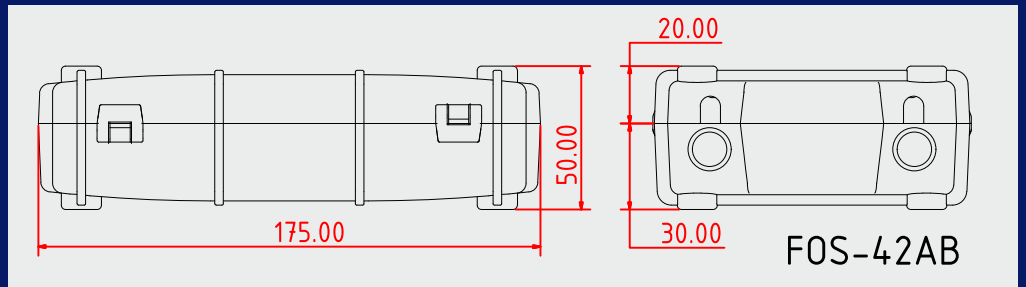
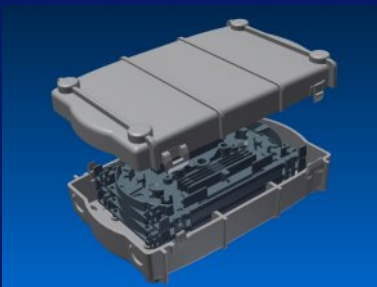
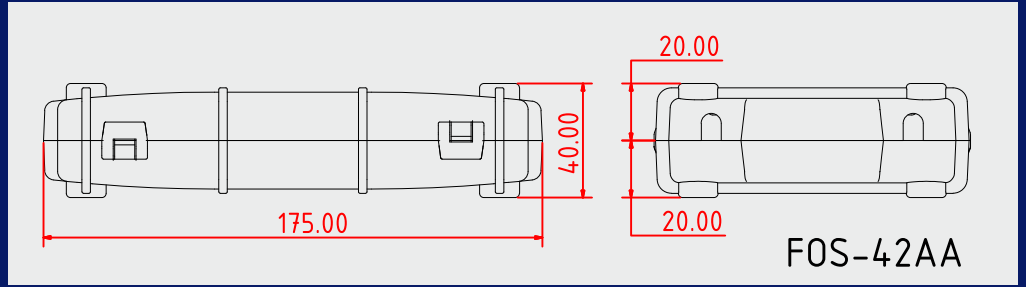
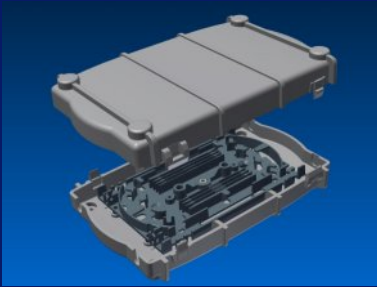
Model code	Dimensions	Numbers of cassettes	Numbers of splices	SC-connectors
FOS-42AA	175*111*40	2	24	-
FOS-42AB	175*111*50	3	36	-
FOS-42AC	175*111*40	1	12	2
FOS-42BB	175*111*60	4	48	-
FOS-42BC	175*111*50	2	24	2

ComNet

Producing of communications & data centers equipment since 1997th

FOS-42

Using three different parts, there is possible to create five different enclosures with various dimensions and capacity. Two enclosures provided for installing one or two SC or LC adapters on top cover.

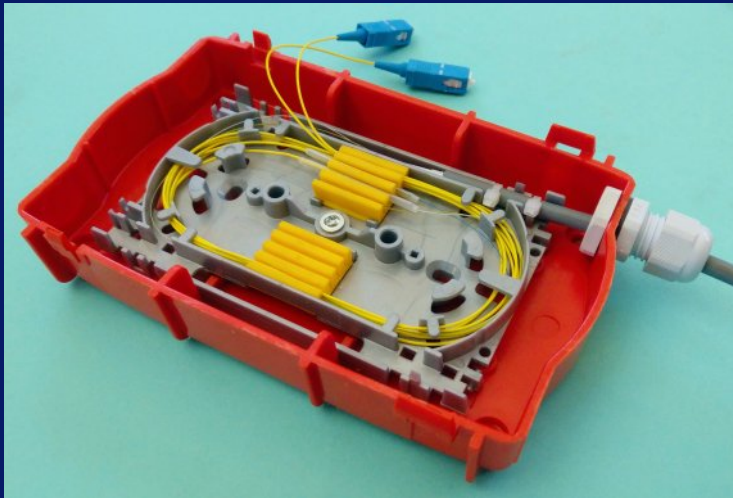
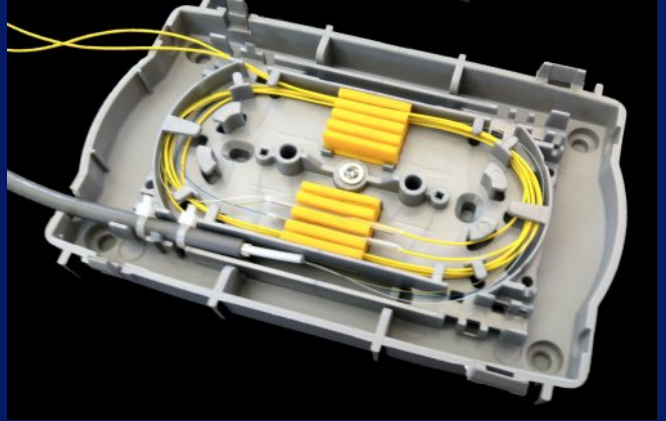


ComNet

Producing of communications & data centers equipment since 1997th

FOS-42

Enclosures FOS-42 provided for installing splicing cassettes FOS-41NG. Therefore, You can join up to four fiber optic cables with max 48 splices, using standard heat shrink protectors.

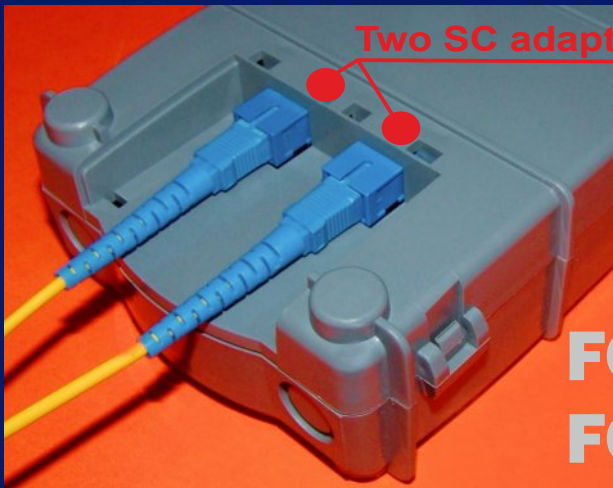


Incoming cables in largest parts «B» can be fixed with PG9 type cable inlets.

Up to four cables can be joined.
Max cable diameter up to 6.5 mm

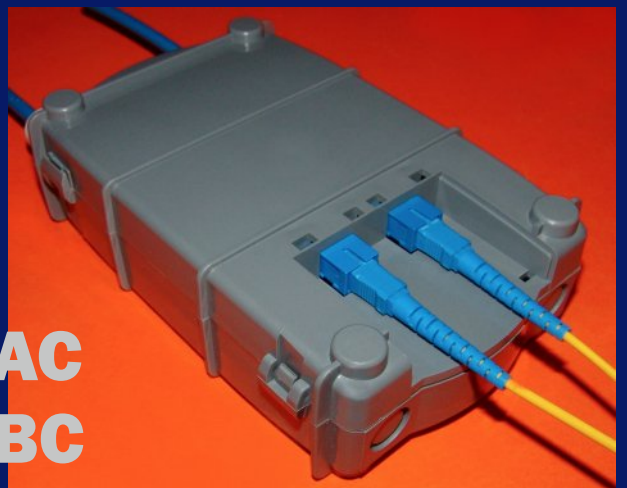


In smallest part «A», incoming cables can be fixed with plastic strips.



Two SC adapters

FOS-42AC
FOS-42BC



ComNet

Producing of communications & data centers equipment since 1997th

FOS-43

Outdoor enclosure FOS-43 provided for creating small capacity outdoor networks. There can be installed one splicing cassette FOS-41NG, so up to 16 junctions can be made.

This enclosure has four ports for PG9 cable inlets. Thanks to rubber o-ring, this enclosure meets to IP67 protection class.



Outdoor fiber optic enclosure FOS-43 based on our PS-014 series universal enclosures.

Additional cable clamps ensure firm fixation of incoming cables. Up to four cables can be sealed, using PG9 cable inlets. Maximum cable diameter - 7.9 mm

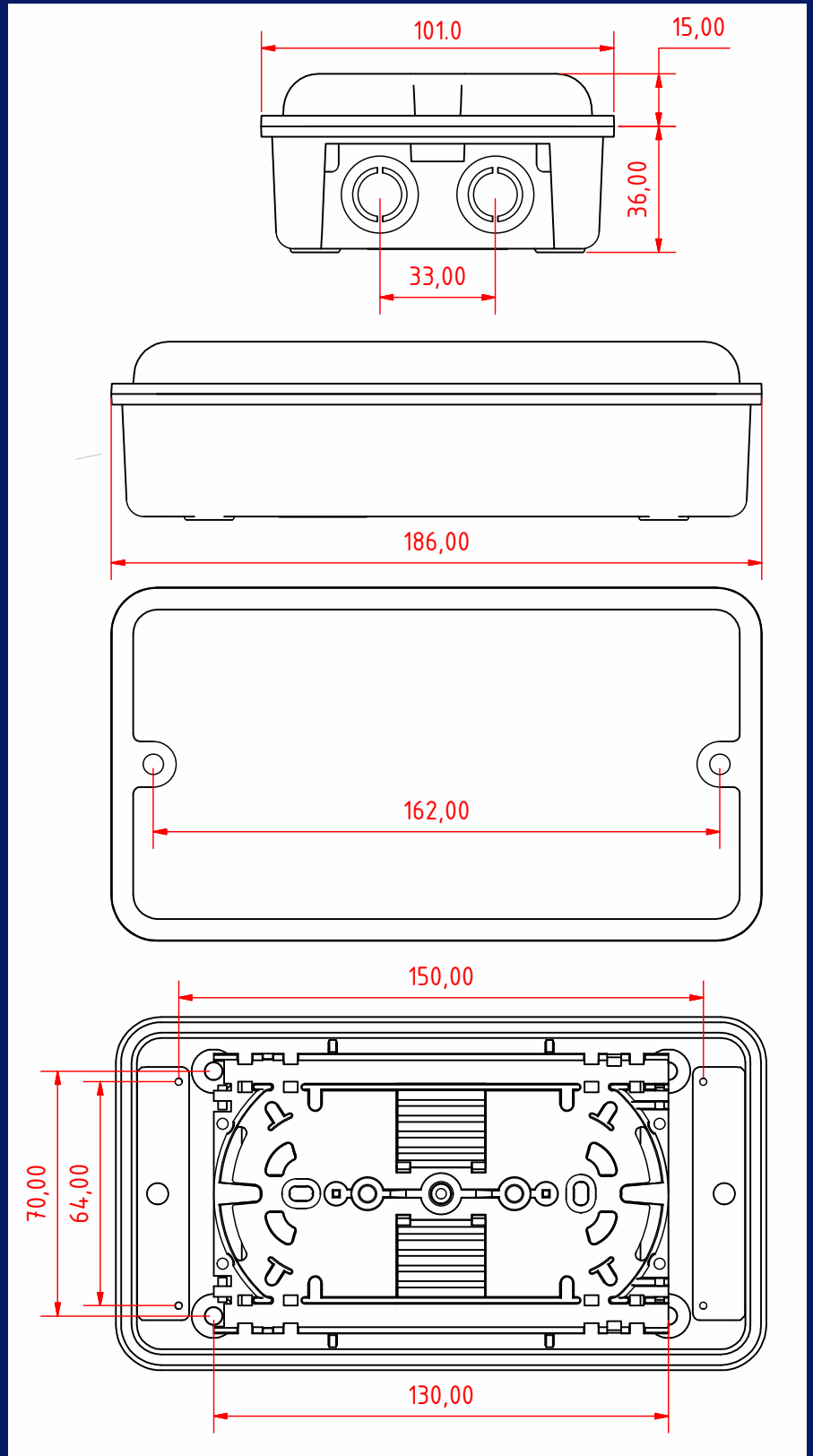


ComNet

Producing of communications & data centers equipment since 1997th



Optional stainless steel pole brackets available for poles 60-100 mm and more to 100 mm diameter



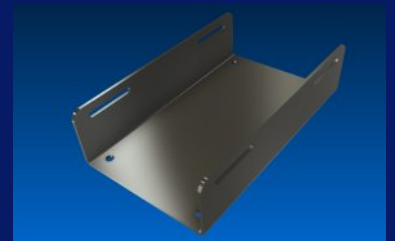
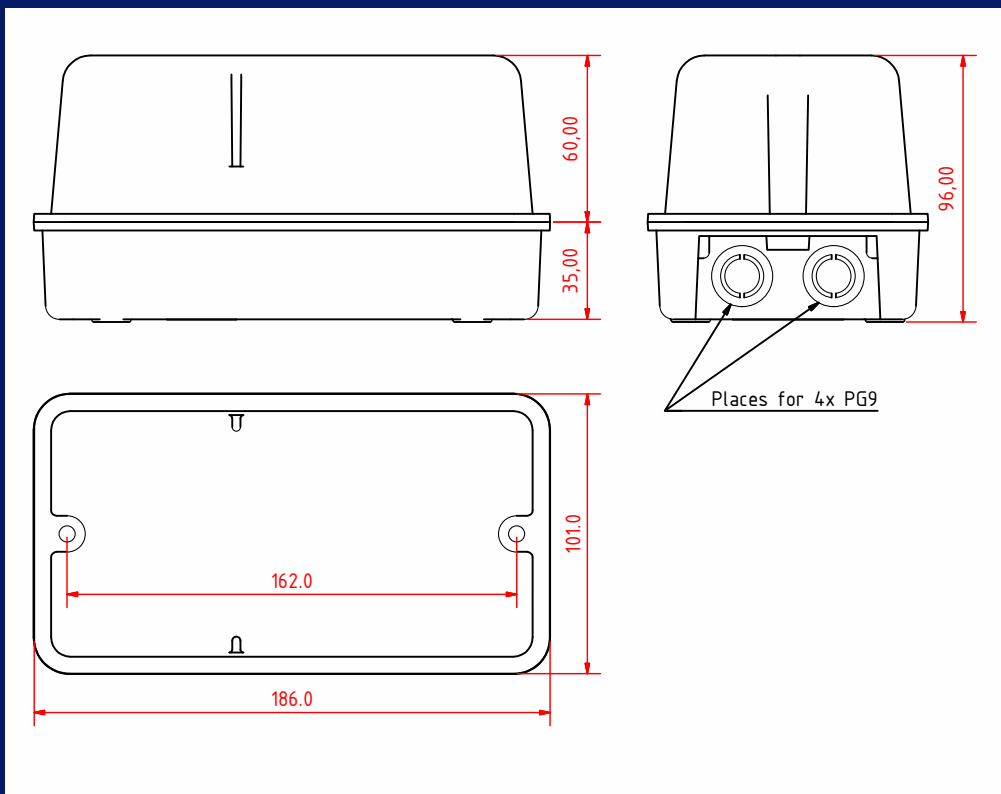
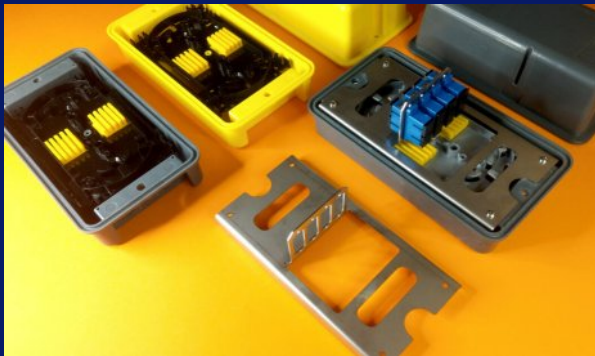
ComNet

Producing of communications & data centers equipment since 1997th

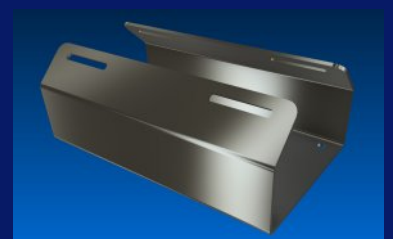
FOS-44

Outdoor enclosure FOS-44 provided for creating small capacity outdoor networks. This enclosure is thicker than FOS-43 due to the larger cover, so internal switchboard for 4 Duplex-SC adapters installed inside.

There can be installed one splicing cassette FOS-41NG, so up to 16 junctions can be made. This enclosure has four ports for PG9 cable inlets. Thanks to rubber o-ring, this enclosure meets to IP67 protection class



PS-14PP1 is stainless steel mounting bracket, provided to install PS-014 enclosures on poles with diameter more than 100 mm.



PS-14PP2 is stainless steel mounting bracket, provided to install PS-014 enclosures on poles with diameter 60-100 mm

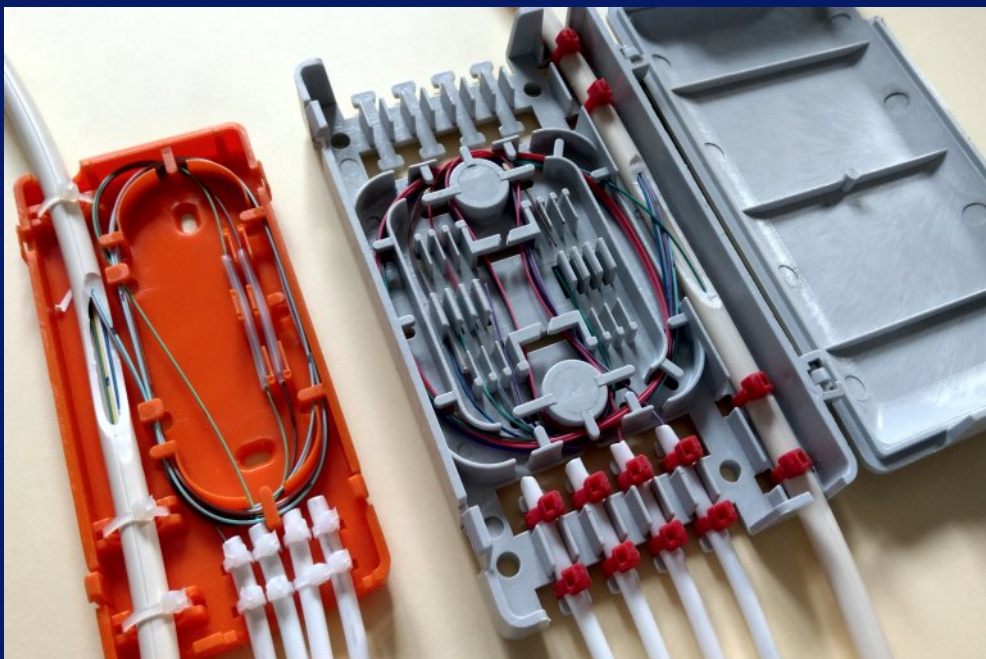
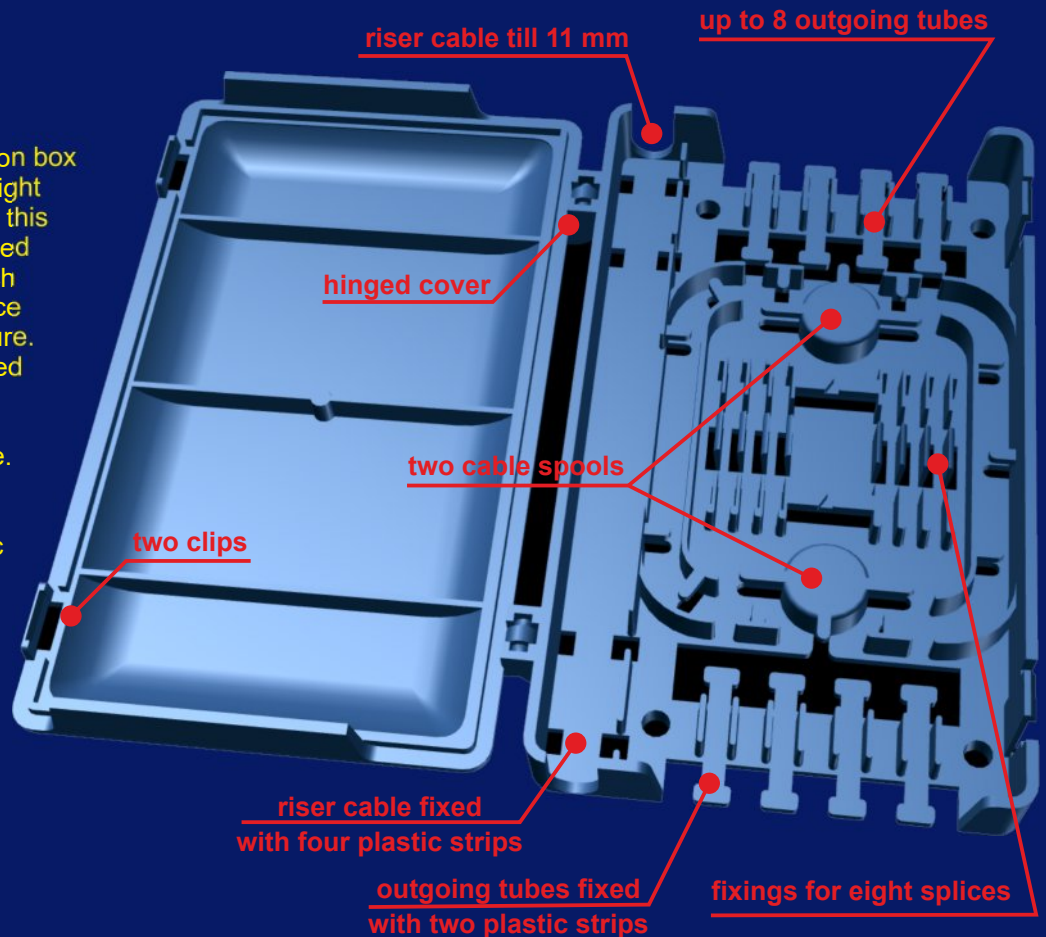
ComNet

Producing of communications & data centers equipment since 1997th

FOS-49

FOS-49 is optical cable distribution box provided for rising cable. Up to eight outgoing connections possible in this distribution box. There can be used drop tubes or preterminated patch cords. Splicing cassette and splice holders integrated in this enclosure. Input and output cables are fixated with cable strips. This box surely closed with hinged plastic cover. Optional adapter holder available.

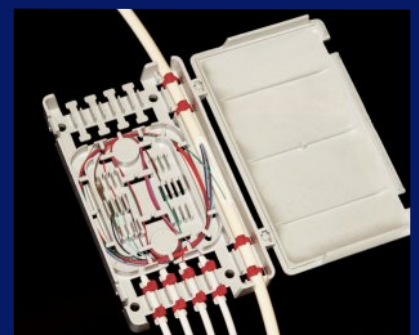
Dimensions : 182*107*35 mm
Made from hig-grade ABS plastic



Our company produces two products for vertical drop cable.

FOS-34 is a smallest solution, provided for four outgoing cables.

FOS-49 is largest enclosure, provided for up to eight outgoing cables.



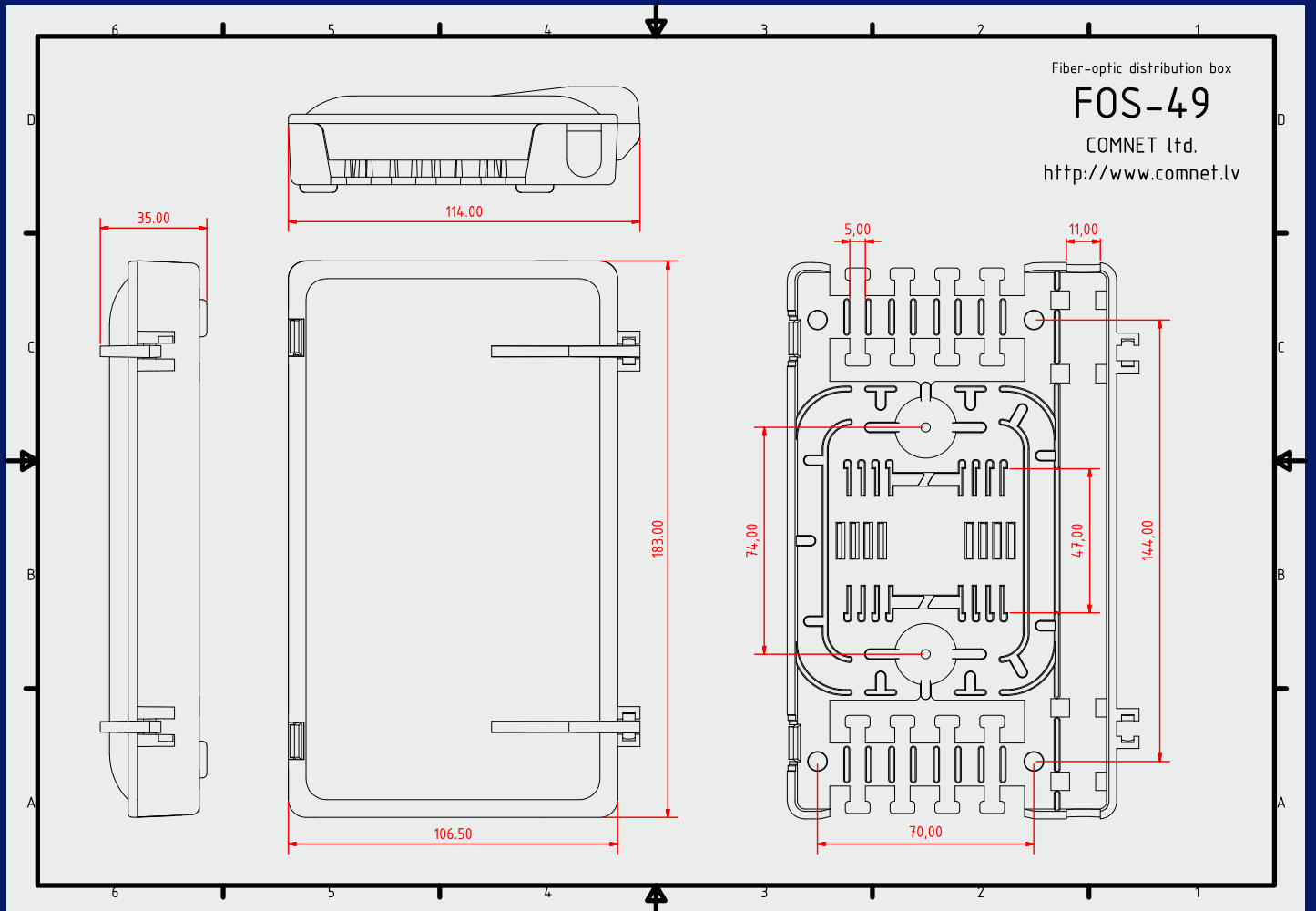
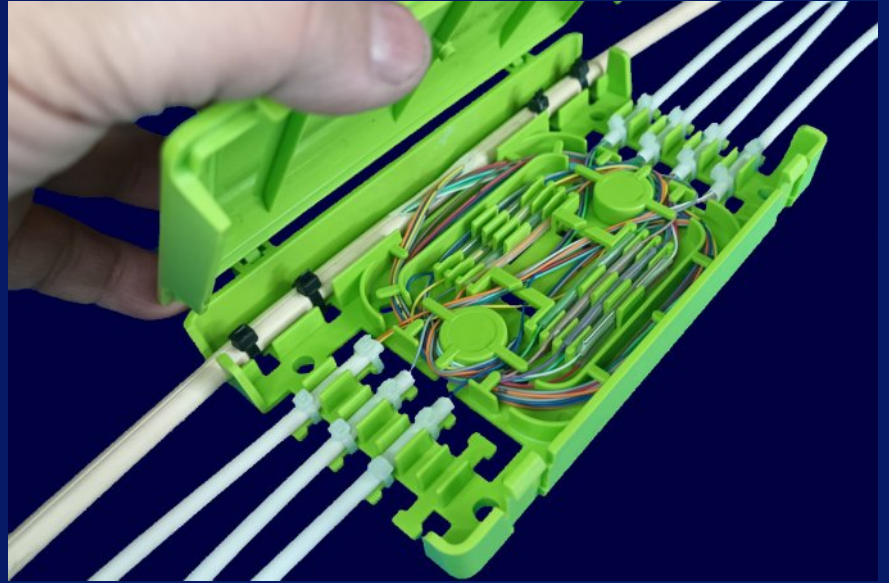
COMNET

Producing of communications & data centers equipment since 1997th



Special adapter plate can be installed inside FOS-49.

Usually, this plate provided for two Duplex SC adapters



ComNet

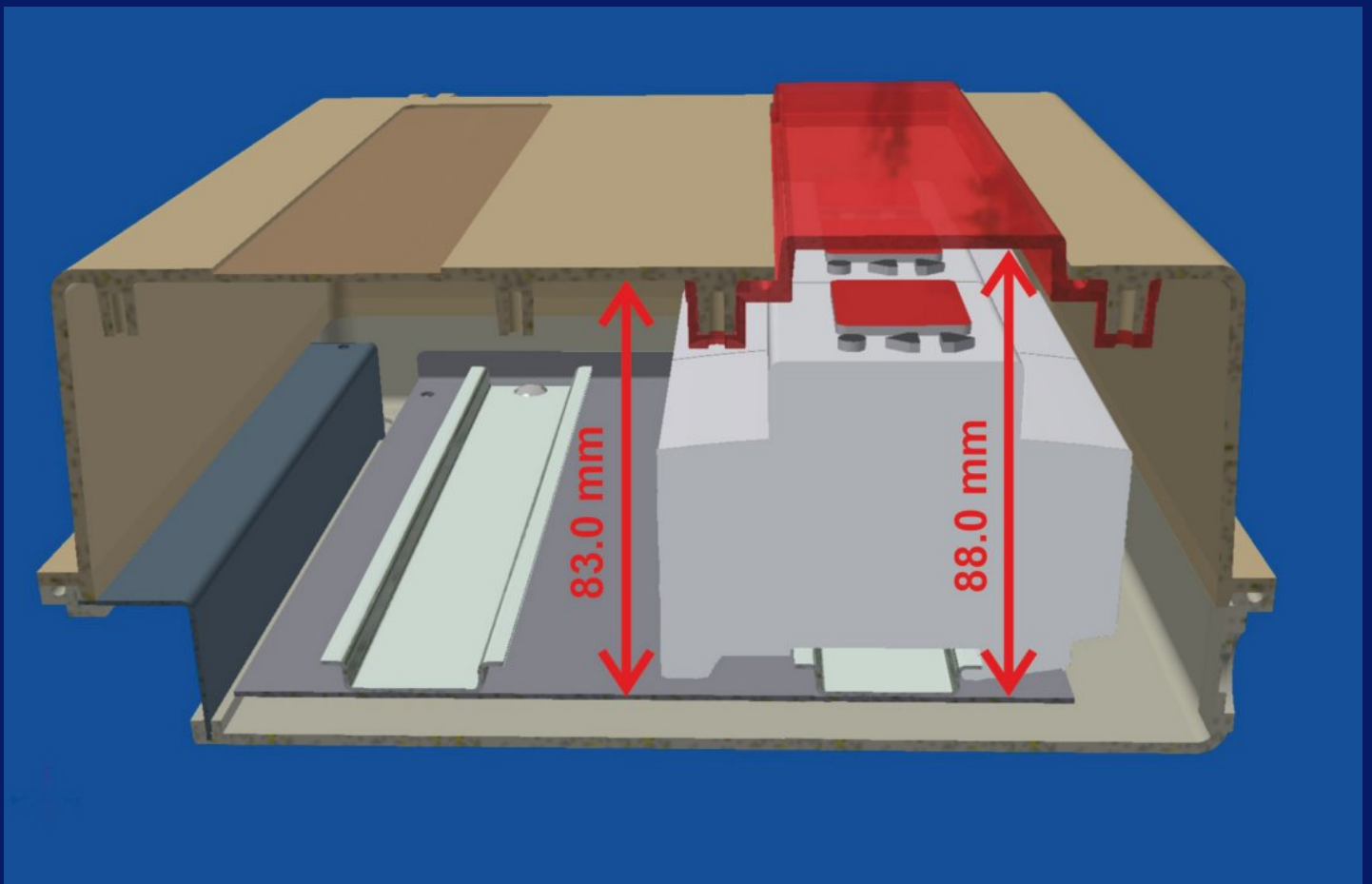
Producing of communications & data centers equipment since 1997th

FOS-53

Enclosure FOS-53 based on our medium size universal enclosure FOS-55 and provided for installing electric counters or other measuring devices on DIN-rail.

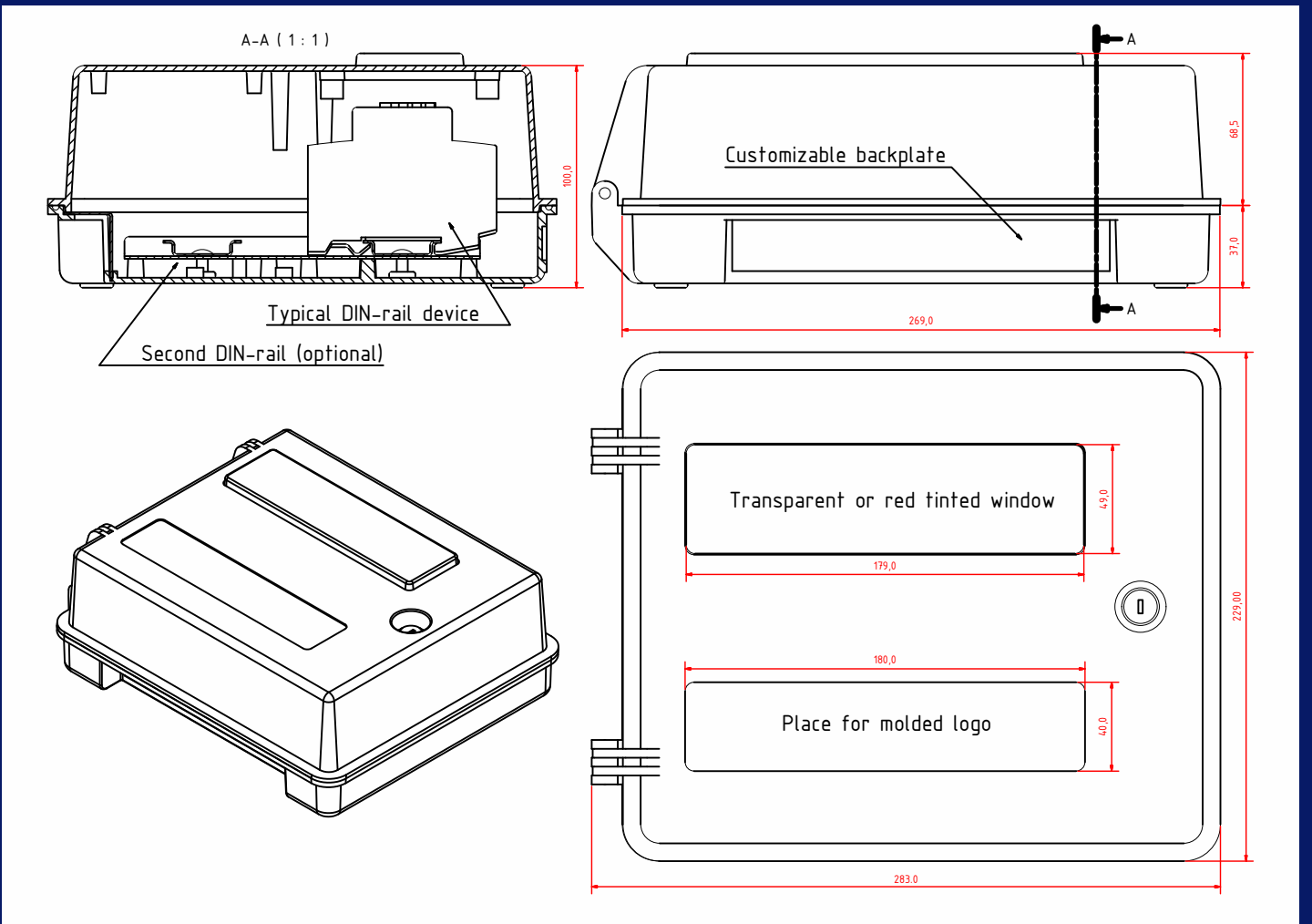
On top cover placed transparent or tinted window 179*50 mm. It gives the possibility to install up to 10 devices on a DIN rail (17.5 mm each)

As options, You can order customized backplate or mounting plate with DIN rails. This box surely closed with hinged plastic cover, supplied with camlock. Cover may be sealed with o-ring, then enclosure reaches IP54 protection class



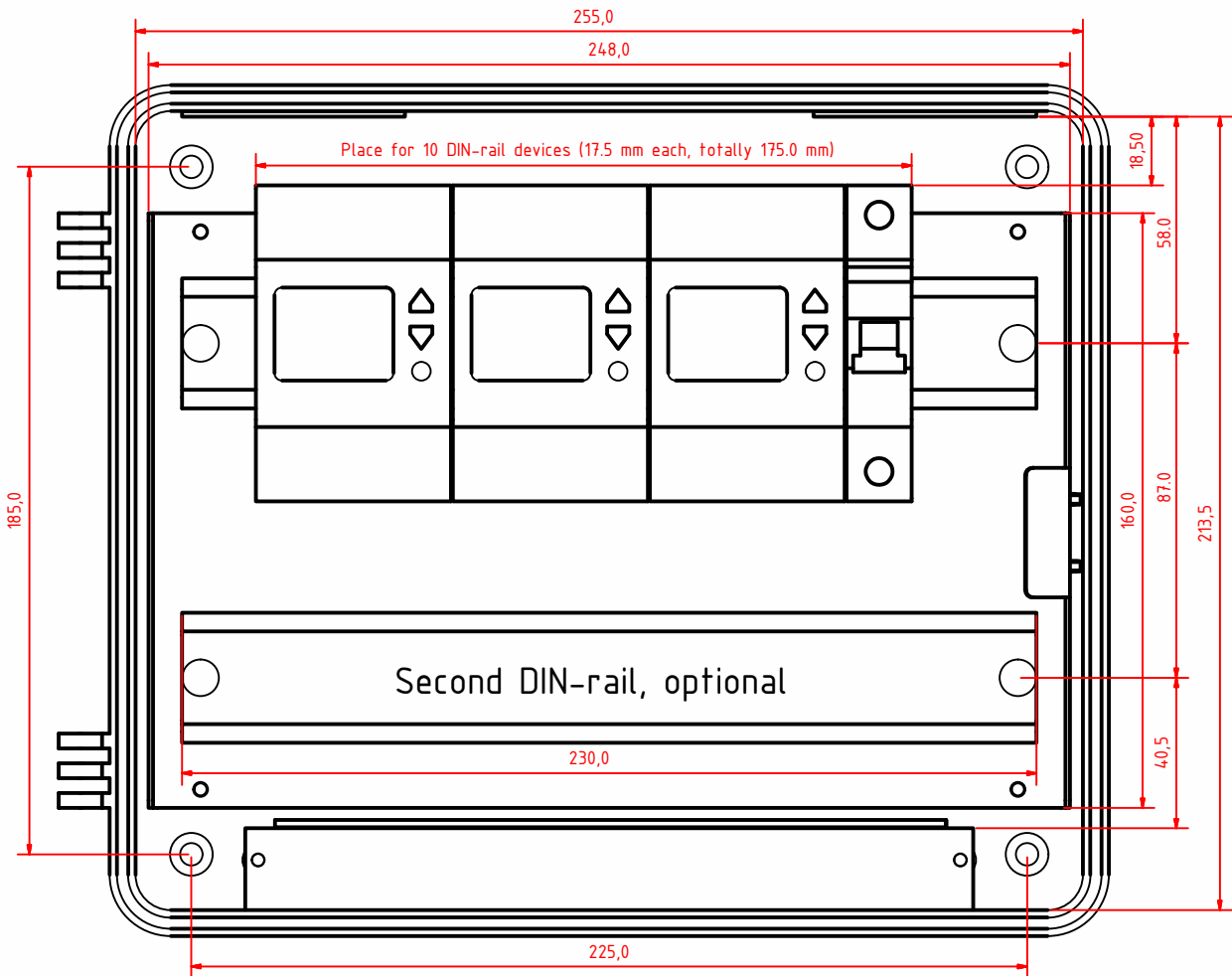
ComNet

Producing of communications & data centers equipment since 1997th



COMNET

Producing of communications & data centers equipment since 1997th



Dimensions : 283*229*100 mm
Weight (with internal base plate and DIN rail)
starting from 1300 gr
Made from hig-grade ABS plastic

COMNET

Producing of communications & data centers equipment since 1997th

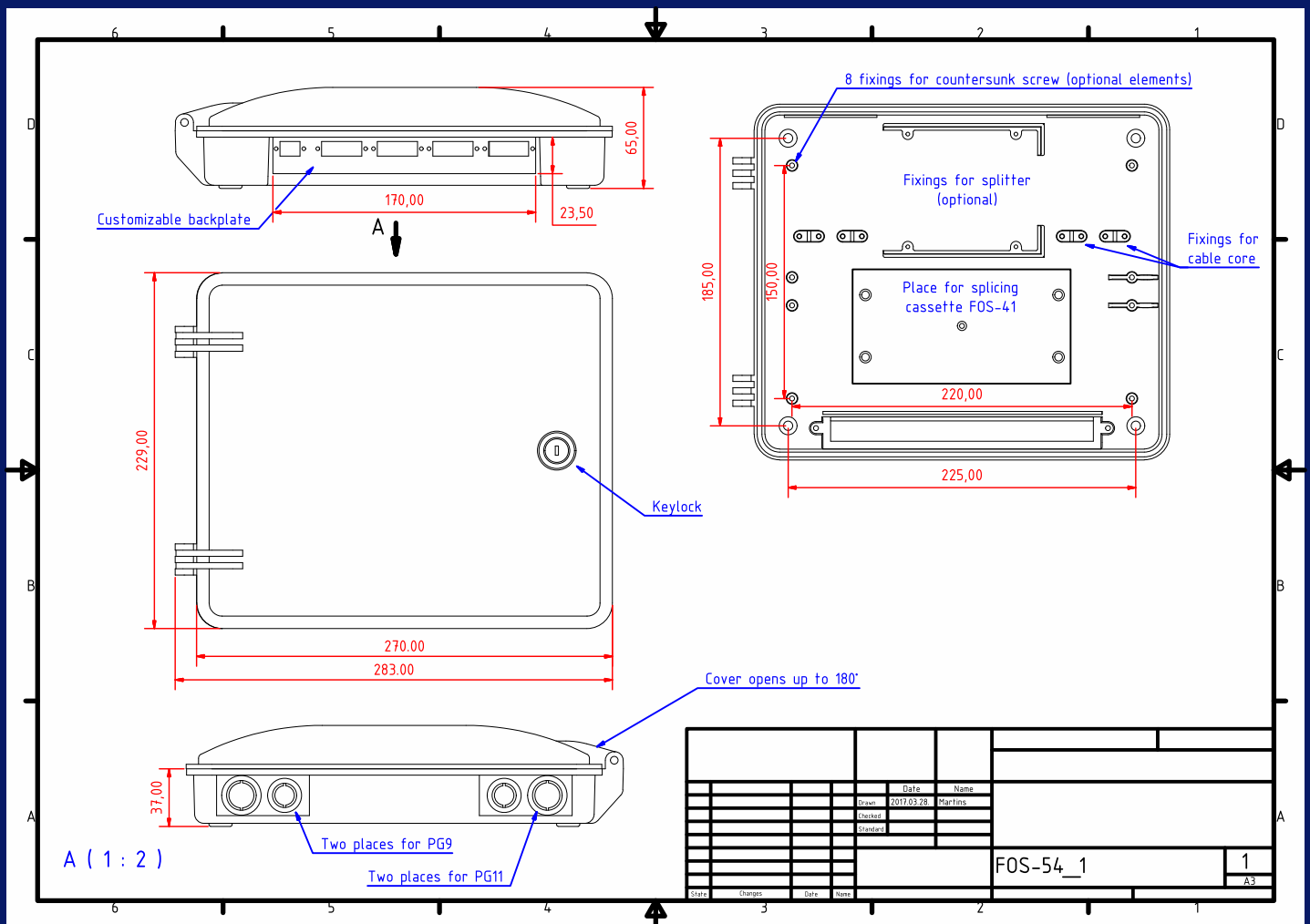
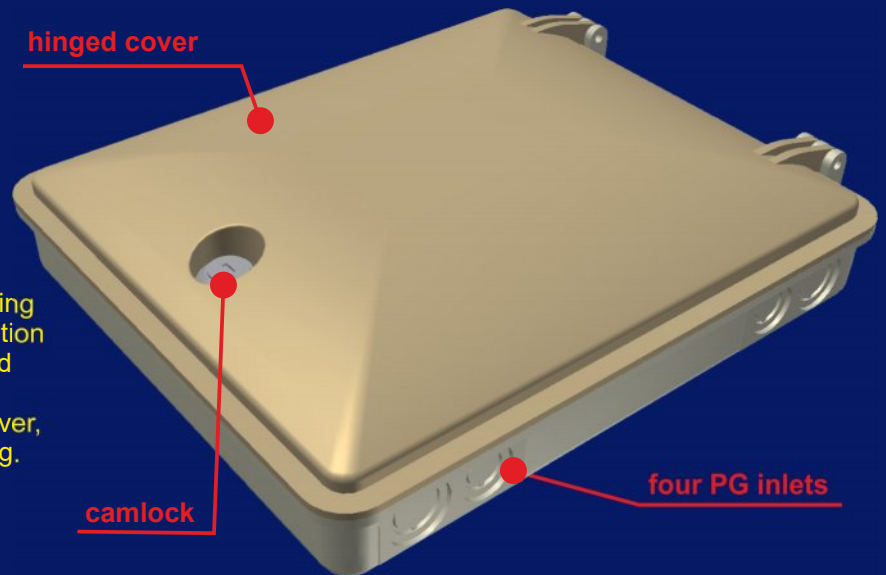
FOS-54

FOS-54 is our new IP54 highly customizable enclosure, provided for different solutions, like fiber-optic networking, low-current applications, video surveillance, fire & security alarm, industrial automatic and many others systems.

Excellent solution for indoor & outdoor protecting power supply, media converters or communication modules. As options, You can order customized backplate or mounting plate with DIN rails.

This box surely closed with hinged plastic cover, supplied with camlock. Cover sealed with o-ring.

Dimensions : 283*229*65 mm
Made from hig-grade ABS plastic

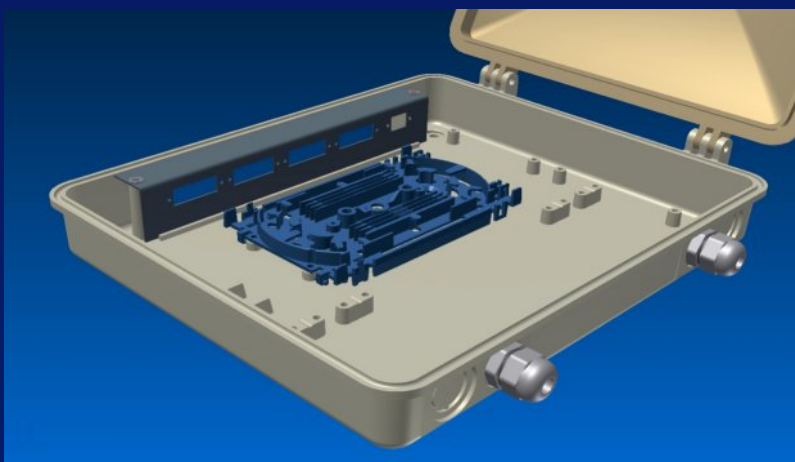
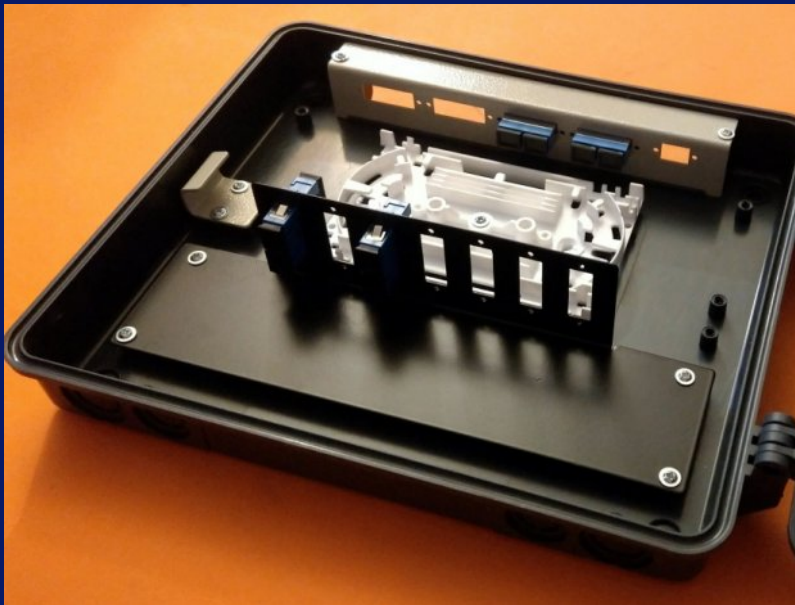
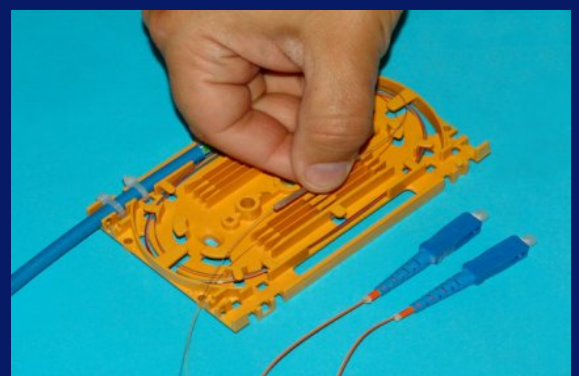
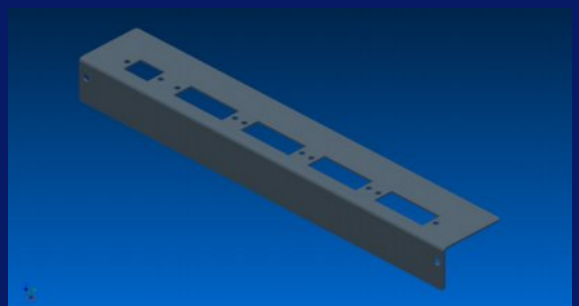
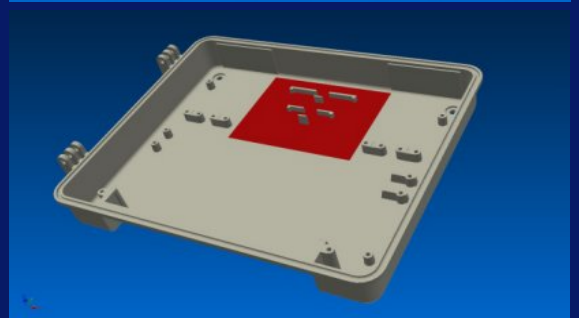
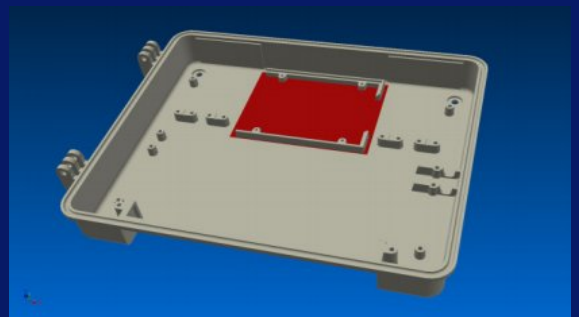
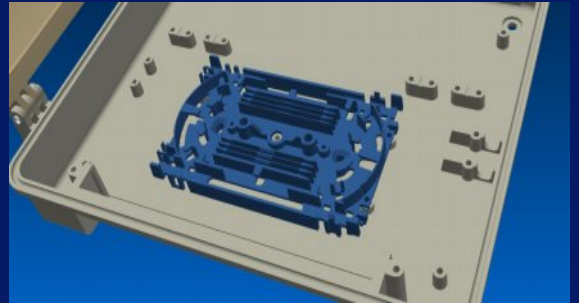


ComNet

Producing of communications & data centers equipment since 1997th

FOS-54

If using FOS-54 as fiber-optic enclosure, You can install here splicing cassette FOS-41, backplate with various fiber optic adapters and internal switching panel. Also, here is options with two types of fixings for splitters.



Incoming fiber optic cables can be fixed with cable inlets PG9 and PG11. Special fixings for cable core available.

Backplate and switching plate can be cut for any types of fiber optic adapters, like SC, DuplexSC, LC, FC and other types

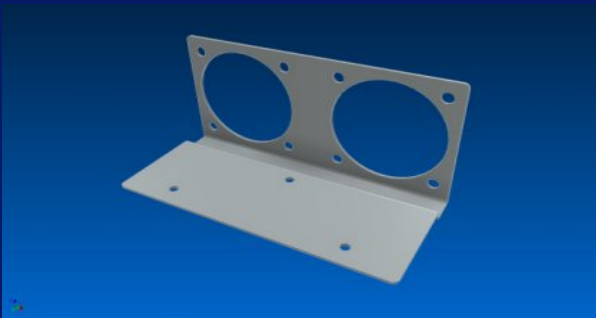
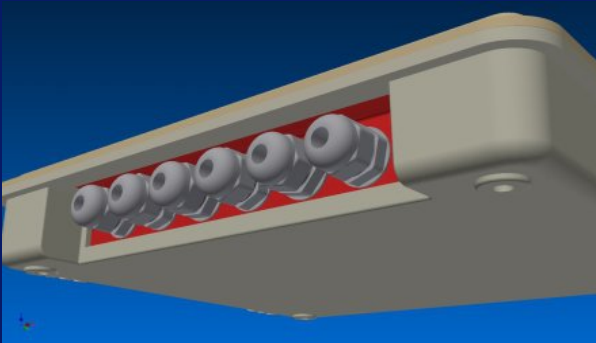
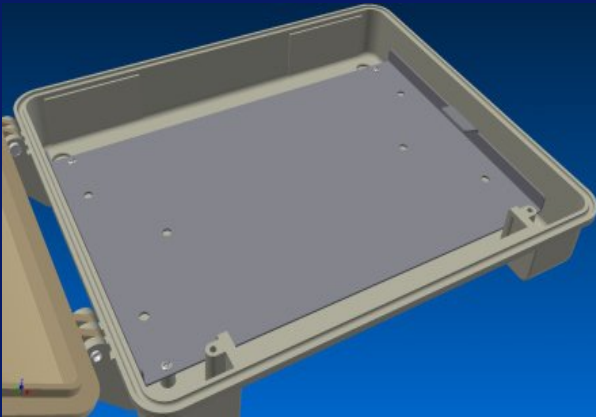
COMNET

Producing of communications & data centers equipment since 1997th

FOS-54

FOS-54 can be used for protecting of any types of active network components, like switches, HUBs or media converters. In this case We recommend using one of two types of base plates. You can order special fixings for Your own components.

Also, here is an option to install one or two SHUKO type sockets for power adapters.



If You looking for convenient enclosure, for industrial electronics or low-power circuits, FOS-54 may be Your choice. Four cable inlets, base plate with 15 mm or 35 mm DIN rails and customizable backplate helps perform Your tasks easy !

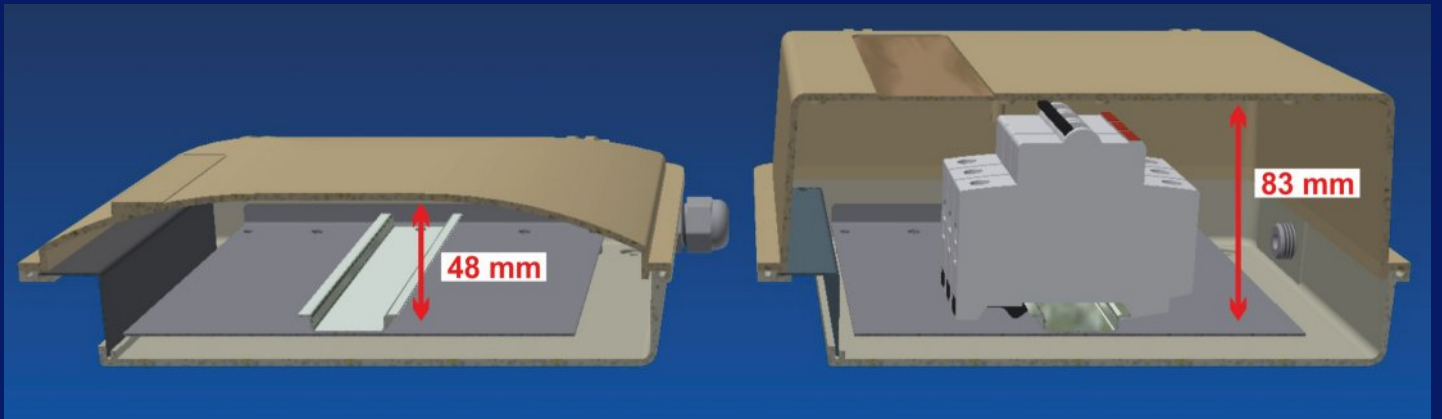
ComNet

Producing of communications & data centers equipment since 1997th

FOS-55

FOS-55 based on Our previous medium - size enclosure FOS-54, but thanks to enlarged cover internal volume has significantly increased.

This enclosure is highly customizable and various inside components may be added, depending on clients requirements. FOS-55 can be used for different purposes, like fiber-optic networking, low-current applications, video surveillance, fire & security alarm, industrial automatic and many others systems.



Since the size of the cover has been increased, it is possible to install full size, DIN-mounted elements, like fuses, switches, relays and other electro automatics elements

ComNet

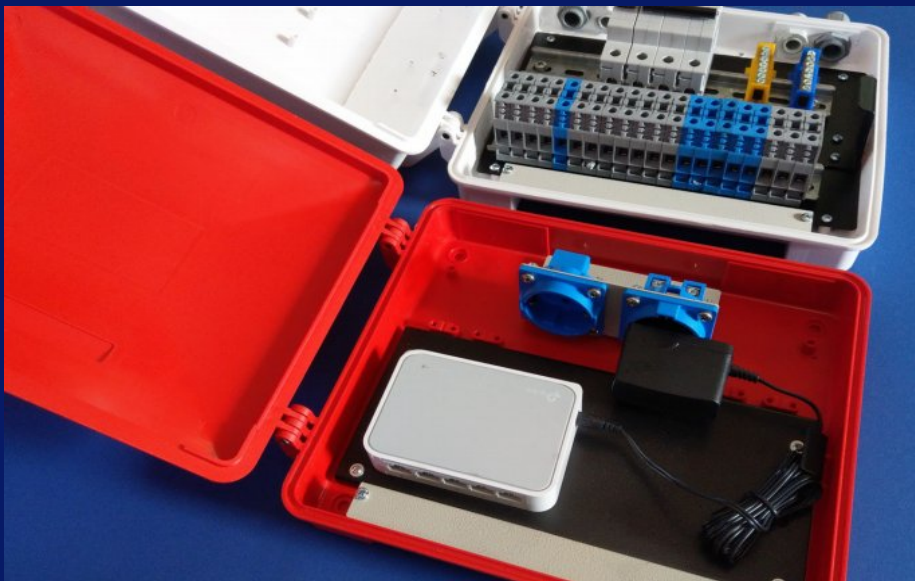
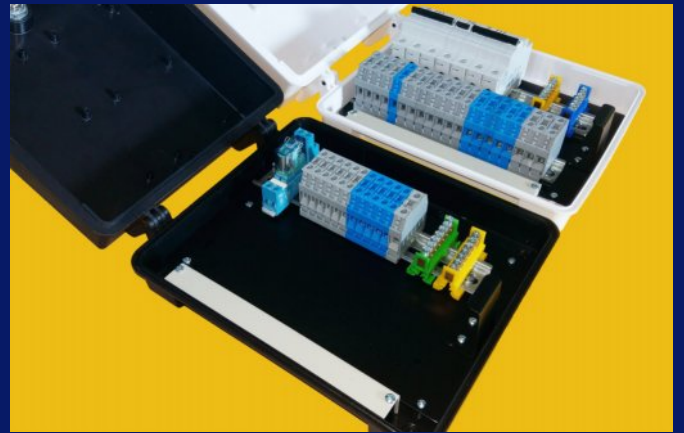
Producing of communications & data centers equipment since 1997th

FOS-55

Excellent solution for indor & outdoor protecting power supply, media converters or communication modules. As options, You can order customized backplate or mounting plate with DIN rails.

This box surely closed with hinged plastic cover, supplied with camlock. Cover sealed with o-ring.

Dimensions : 283*229*100 mm
Made from hig-grade ABS plastic



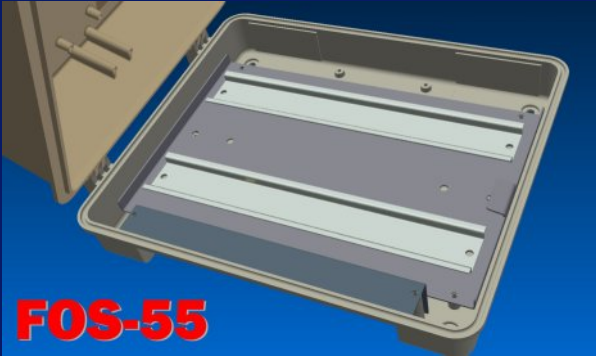
Like previous model, FOS-54, this enclosure is highly customizable and can be adapted to Your needs.

Just send Your ideas and We will offer a best solution especially for You !

ComNet

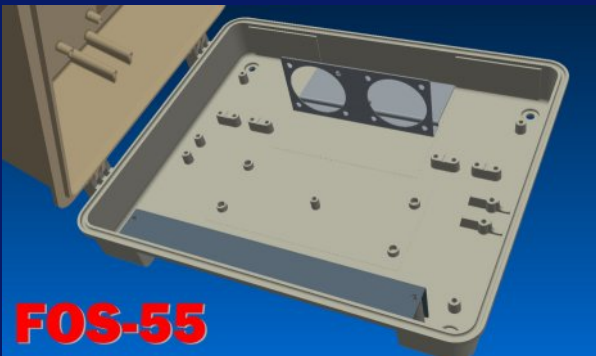
Producing of communications & data centers equipment since 1997th

FOS-55

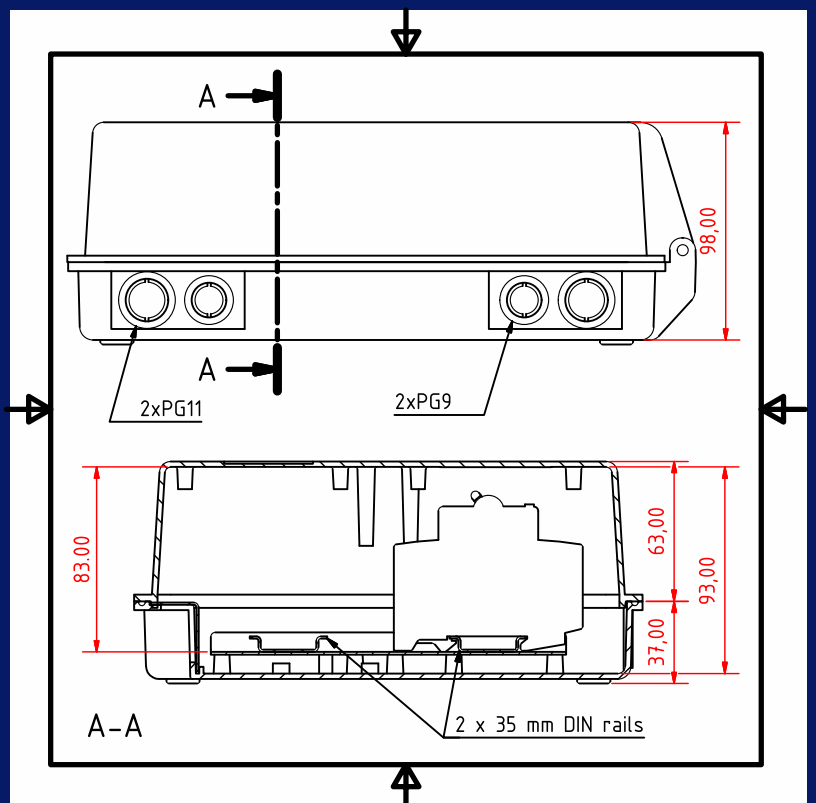
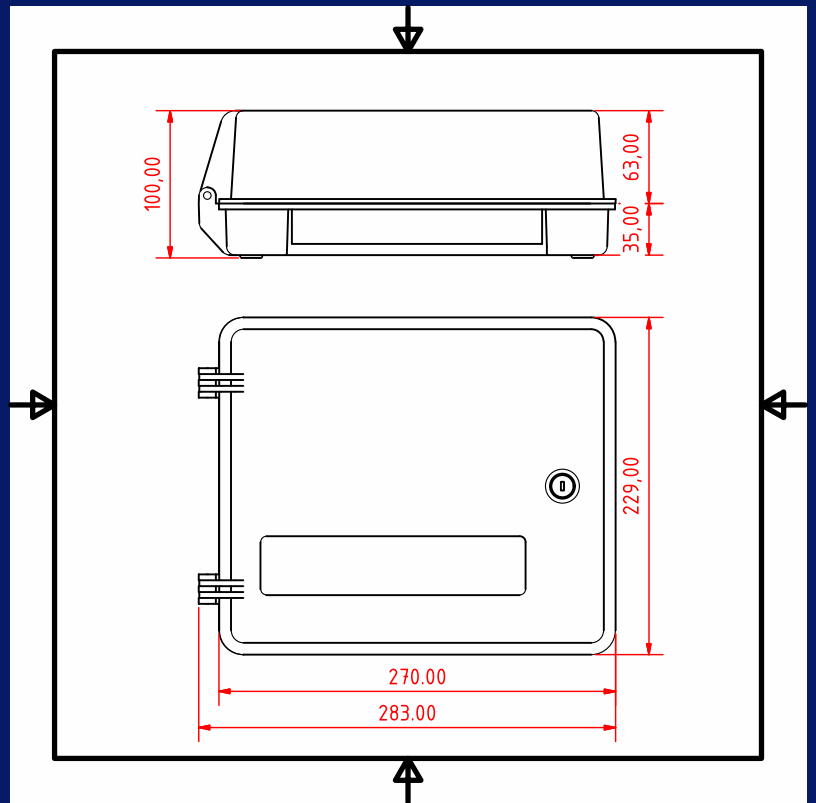
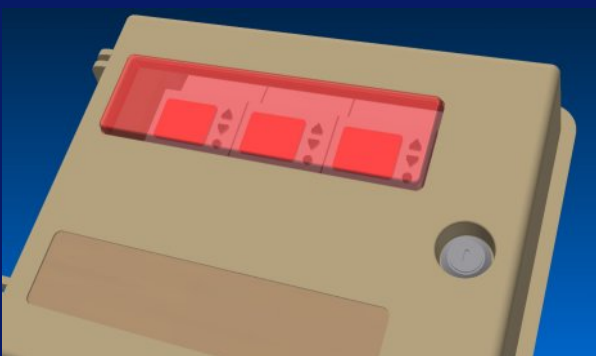


As basic versions, backplate with one or two 35 mm DIN rails available. For low-current applications a 15 mm DIN rails can be installed.

Also, here available the adapter for two SHUKO power sockets



A version with a transparent panel will be released in the near future. It allows you to install electricity counters and other informative elements on the DIN rail



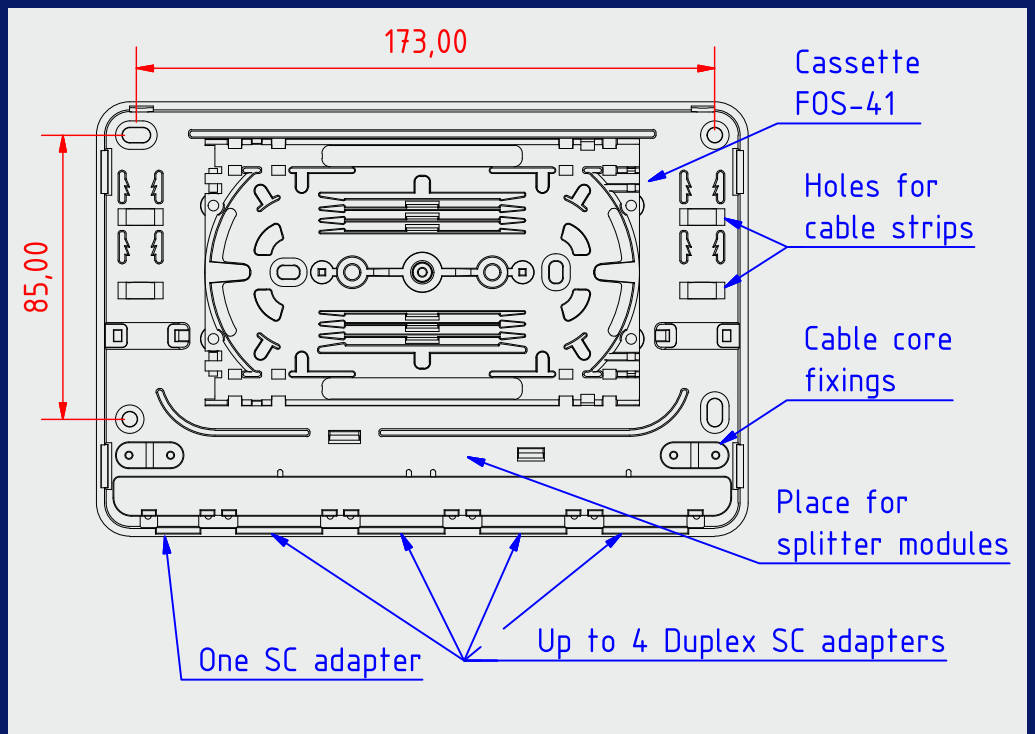
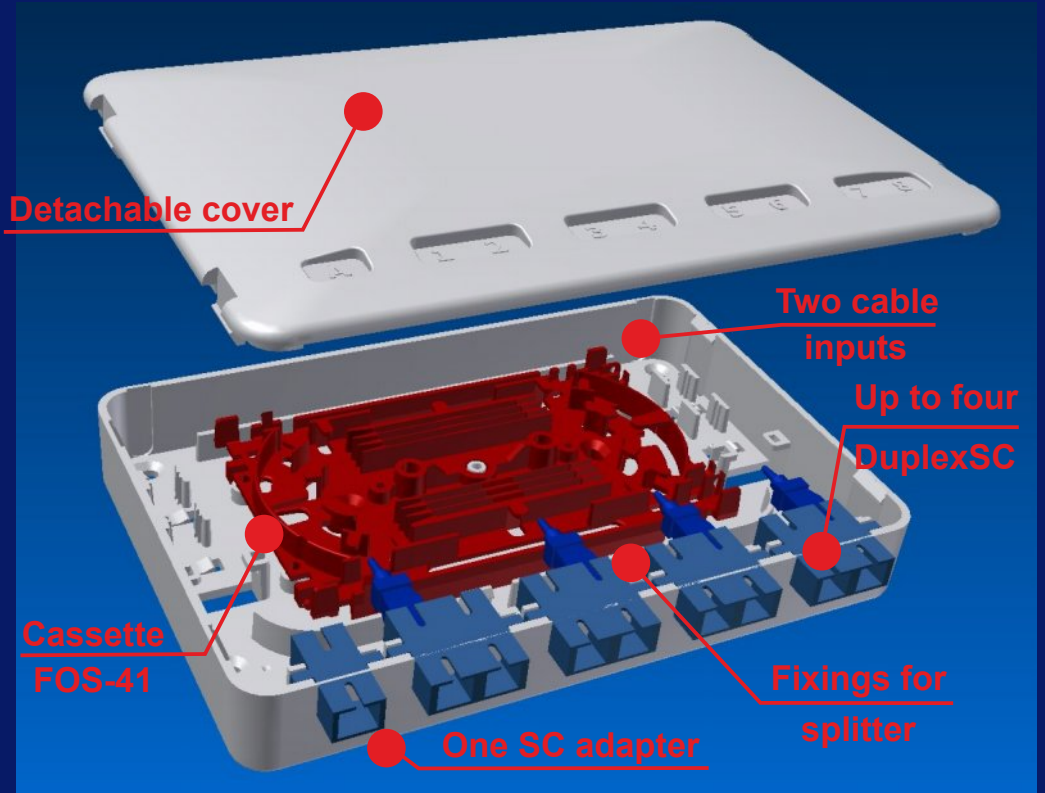
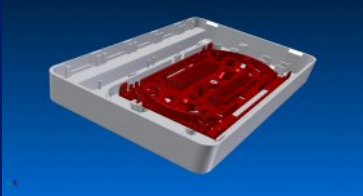
ComNet

Producing of communications & data centers equipment since 1997th

FOS-56

FOS-56 is universal multi-purpose indoor fiber optic enclosure for FTTH applications. It can be used for local FO distribution, cable splicing or FO splitter installing. There is possible to set up to four DuplexSC adapters and one SC adapter.

Dimensions : 195*130*37 mm
Made from ABS plastic

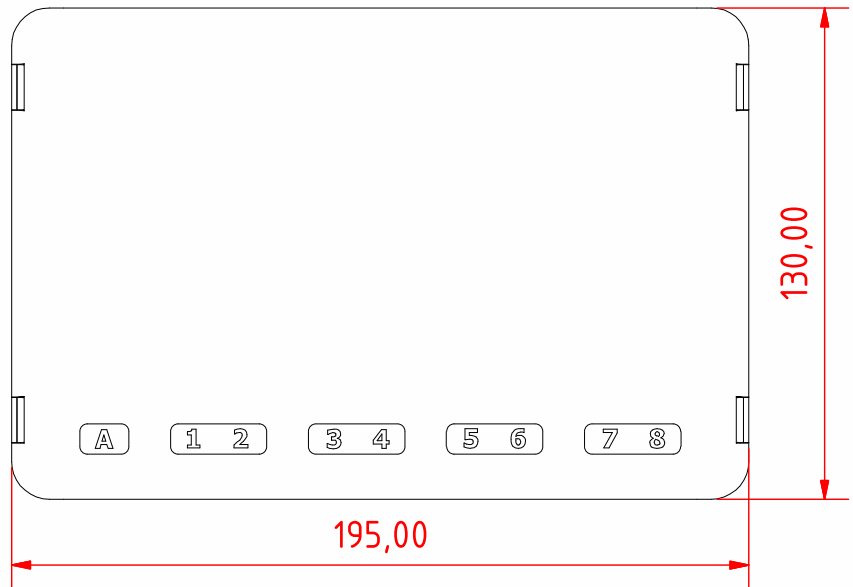
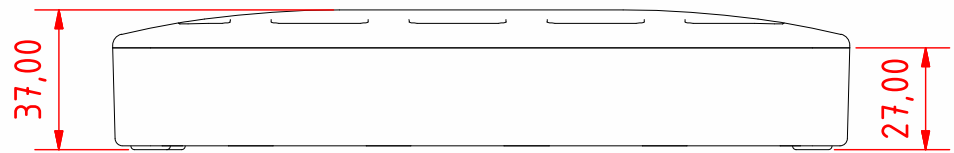
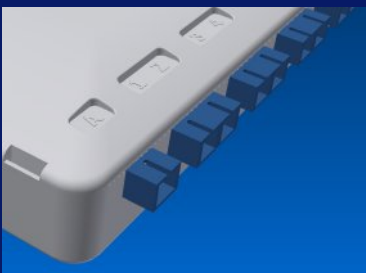
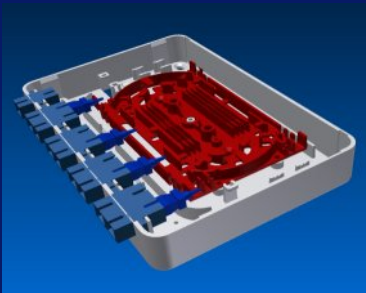
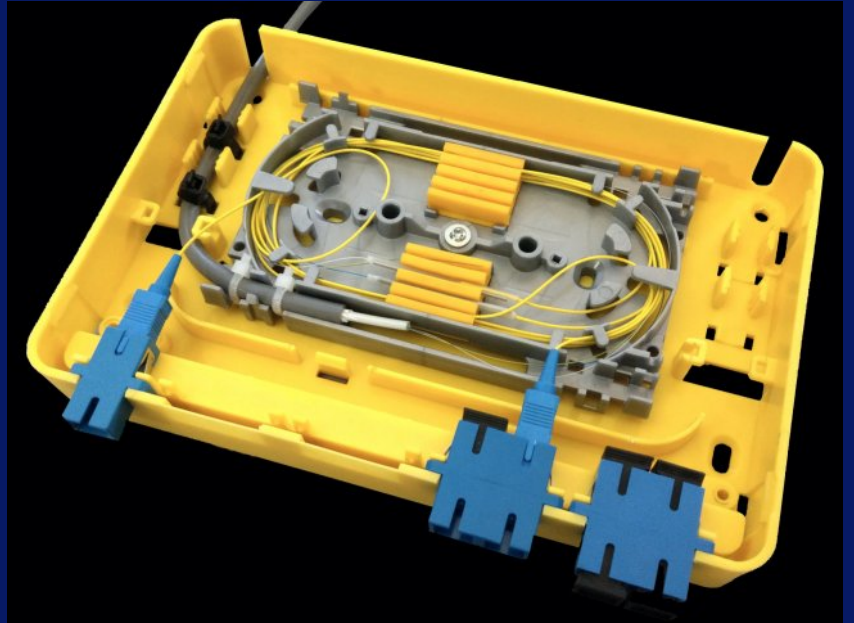
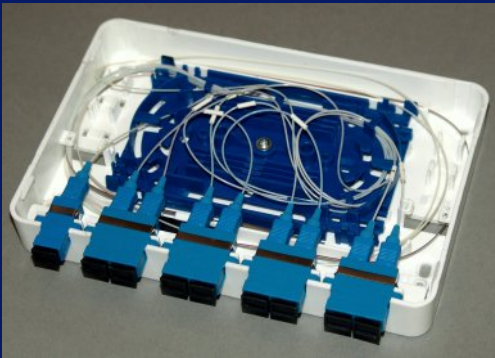


ComNet

Producing of communications & data centers equipment since 1997th

FOS-56

FOS-56 intended for installing one FOS-41NG splicing cassette inside, so up to 16 splices can be made here.
Enclosure FOS-56 provide a fixings for fiber optic splitter too.

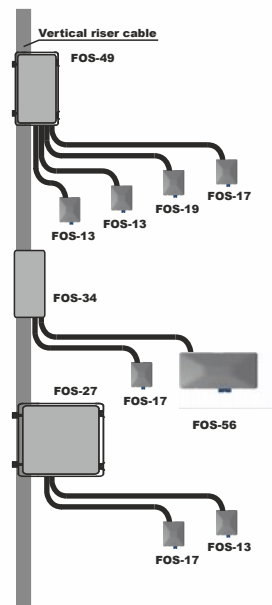


COMNET

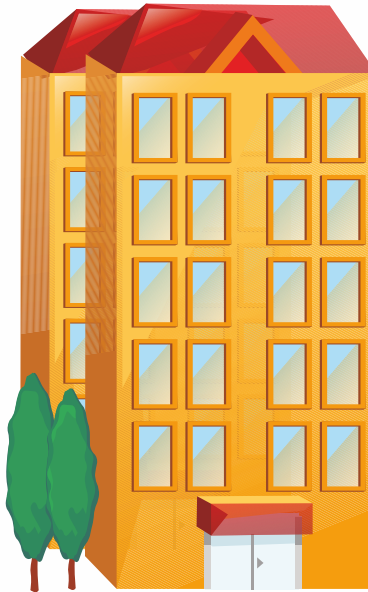
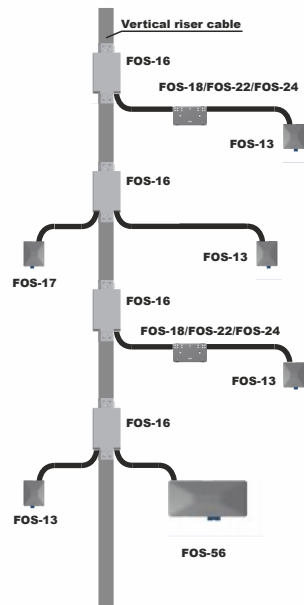
Producing of communications & data centers equipment since 1997th

FTTH installation in apartment building

Fusion splices



Mechanical splices



FOS-16

Fiber-optic breakout box for vertical riser cable



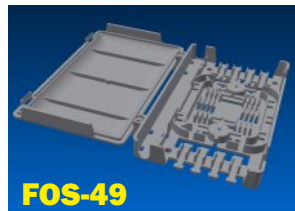
FOS-13/FOS-19

Wall-mounting fiber-optic termination box with space for one SC adapter



FOS-18/FOS-24

Mechanical splice protection enclosure with additional cable spool



FOS-49

Riser cable distribution box with splice holders, up to 8 outgoing tubes or patchcords

Most often FTTH technologies are being used in apartment buildings. In this case, the most commonly used riser-cable. Our company produces equipment for apartment building for more than 15 years and We offer two methods - using mechanical splices or using fusion splices.

In first case We recommend solution, including breakout box FOS-16 and cable extending, using FOS-18 / FOS-24.

Otherwise FOS-49 or FOS-34 can be used, if You prefer fusion splices. In addition, We will offer another product in the near future - more complicated FOS-27.











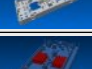




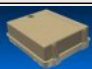
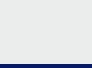
To connect the fiber to the end user, wall mounted sockets FOS-13 / FOS-17 / FOS-19 can be used. If You need more options, You can use FOS-56 for final connection.



ComNet

Producing of communications & data centers equipment since 1997th

Recommended applications

Product	Description	IP class	Large office building	Small office	Apartment building	Urban cottage	Country cottage	Outdoor networks	Repairing fiber optic networks	Provided for active componens	Designed for fusion splicing	Designed for mechanical conector
 FOS-13 FOS-19	Fiber optic wall mount sockets	IP30	✓	✓	✓	✓	✓				✓	✓
 FOS-16	Fiber optic breakout box for vertical riser cable distribution	IP30			✓							✓
 FOS-17	Fiber optic wall mount socket	IP30	✓	✓	✓	✓	✓				✓	
 FOS-18	Mechanical splice protection enclosure with additional cable spool	IP30			✓				✓			✓
 FOB-21	Fiber optic patch panel, 19-inch	IP40	✓	✓							✓	
 FOS-22	Universal splicing enclosure for both mechanical and fusion splices	IP30	✓	✓	✓	✓	✓		✓			✓
 FOS-23	Mechanical splice protection enclosure	IP30	✓	✓	✓	✓			✓		✓	✓
 FOS-24	Universal splicing enclosure for both mechanical and fusion splices	IP30	✓	✓	✓	✓	✓		✓			✓
 FOS-28	Outdoor fiber optic enclosure	IP67						✓			✓	
 FOS-31	Base element for mounting on DIN rails	IP30	✓	✓	✓	✓	✓					
 FOS-34	Fiber optic distribution enclosure for vertical riser cable	IP30			✓						✓	
 FOS-38	Modular splicing cassette for 12 fusions with cover	IP30	✓	✓	✓	✓	✓				✓	
 FOS-41NG	Splicing cassette for 16 fusions	-	✓	✓	✓	✓	✓		✓		✓	
 FOS-42	Five models of small indoor enclosures for fiber optic fusion	IP40	✓	✓	✓	✓	✓		✓		✓	
 FOS-49	Fiber optic distribution enclosure for vertical riser cable	IP30			✓						✓	
 FOS-53	Universal enclosure for electric counters and measuring devices with enlarged cover and window	IP54	✓	✓	✓	✓	✓			✓		
 FOS-54	Universal enclosure for fiber optic, video surveillance, fire & security alarm	IP54	✓	✓	✓	✓	✓	✓		✓	✓	
 FOS-55	Universal enclosure for fiber optic, video surveillance, fire & security alarm with enlarged cover	IP54	✓	✓	✓	✓	✓	✓		✓	✓	
 FOS-56	Universal small size fiber optic distribution enclosure	IP30	✓	✓	✓	✓	✓	✓			✓	

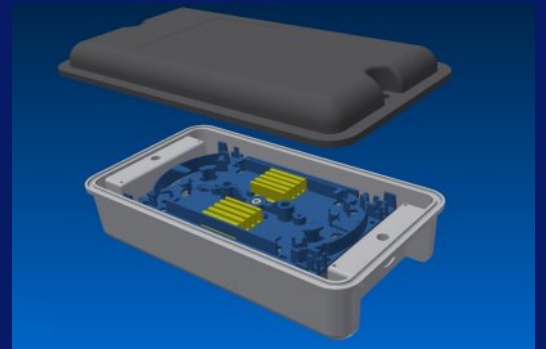
ComNet

Producing of communications & data centers equipment since 1997th

Coming in 2023th !

FOS-43

Outdoor enclosure FOS-43 provided for creating small capacity outdoor networks. There can be installed one splicing cassette FOS-41NG, so up to 16 junctions can be made. This enclosure has four ports for PG9 cable inlets. Thanks to rubber o-ring, this enclosure meets to IP67 protection class. Optional stainless steel pole bracket available.



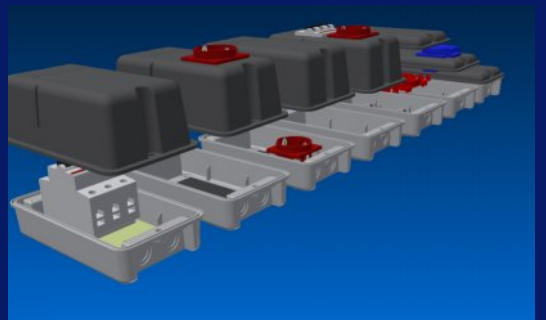
FOS-44

FOS-44 is outdoor fiber optic enclosure with protection class IP67. Unlike FOS-43, there is an internal switchboard for four DuplexSC adapters.



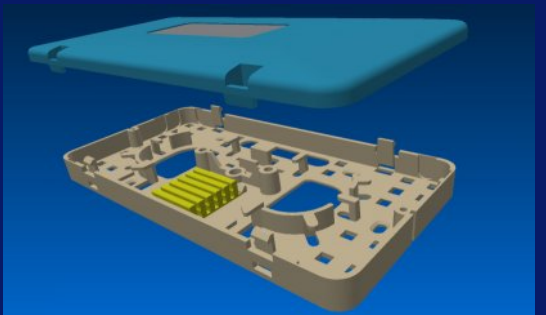
PS-014

PS-014 opens a wide serie of outdoor enclosures for various purposes. This product line will include enclosures for power adapters, electrical mounting, circuit breakers, There will be available fixings on poles too. Protection class up to IP67.



FOS-38

FOS-38 opens a new serie of compact indoor fiber optic enclosures. Thoses enclosures designed for mounting on standard electric cell boxes, like fiber optic socket FOS-17. There will be many accessories in this series, like switchboxes and wall mounted sockets.



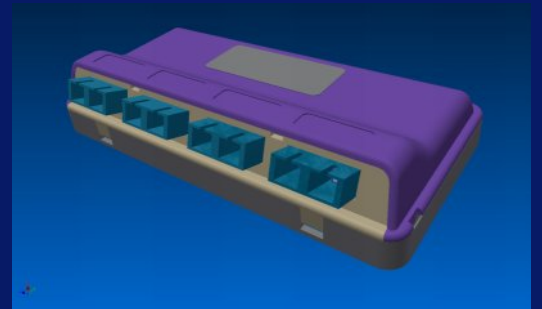
ComNet

Producing of communications & data centers equipment since 1997th

Coming in 2024th !

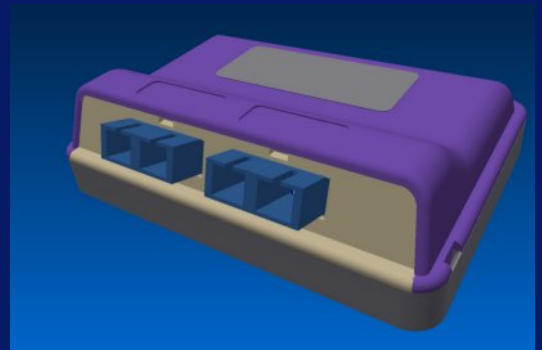
FOS-25

Fiber optic wall socket FOS-25 provided for installing up to four DuplexSC adapters. Can be mounted on two-position standard electrical cell box. Contains one splice holder FOS-10 for gently fixing up to eight splices. Socket FOS-25 corresponds to ours "under plaster" product dimensions, so it can be easily attached to splicing cassettes FOS-38 or "cable box" FOS-31. Units are connected to each other using snap-fit joint.



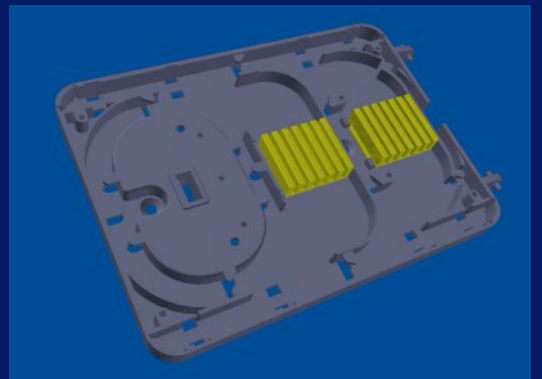
FOS-14

Similar to FOS-25, but designed for two DuplexSC adapters. Can be installed on a single standard electrical ceiling box.



FOS-12

New high capacity (24 joints) splicing cassette. Can be used in high capacity fiber optic enclosures and distribution cabinets. Contains two splice holders FOS-20



COMNET

Producing of communications & data centers equipment since 1997th

In conclusion

Company COMNET produce fiber optic network accessories for more than 25 years. All our products produced in Latvia. We are specialists in sheet steel processing and production of plastic parts for the telecommunications industry and fiber optic networking.

Our main customers are wholesalers of telecommunications equipment, Fiber-Optic network builders and communication providers..

Why Our company ?

Our experience allows us to understand Your needs. All of our products are developed in close cooperation with leading telecommunication companies and network installers. We listen to their desires and constantly improving our product range.

We are ready to customize our products just for you. Our products are available in different colors. For multiple products it is possible to mold or paint Your logos. We can offer special packaging according to Your wishes.

We constantly evolve. In 2024th We plan to expand our product range with many new products and their variations

Our company located in Europe. We promise fast delivery to Your warehouse.

We are always ready to send you free samples

If you find something interesting in our product range, we will send you additional information.

Martins Saiters,
owner of company COMNET
martins@comnet.lv

