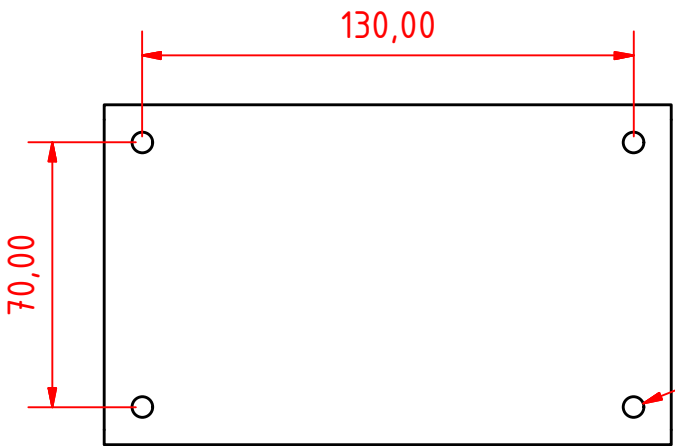
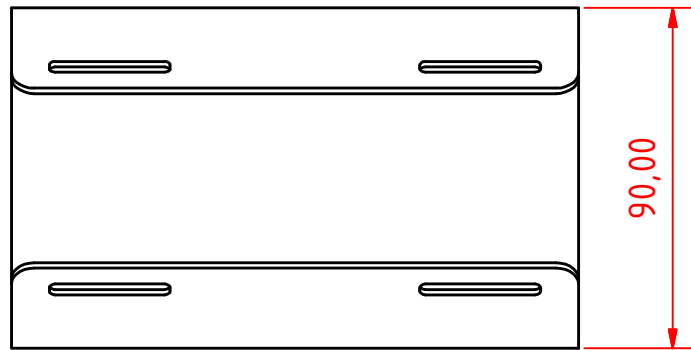
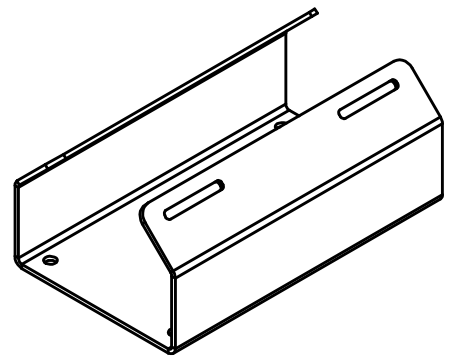


Material : AISI304

B ↑



B (1 : 2)



				Date	Name		
				Drawn	30-Nov-22	Martins	
				Checked			
				Standard			
				PS-014_PP2_PUB			1
							A4
State	Changes	Date	Name				