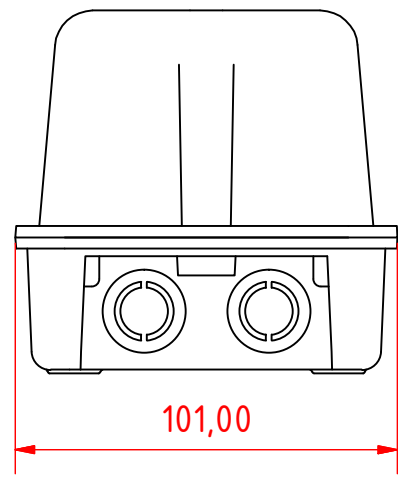
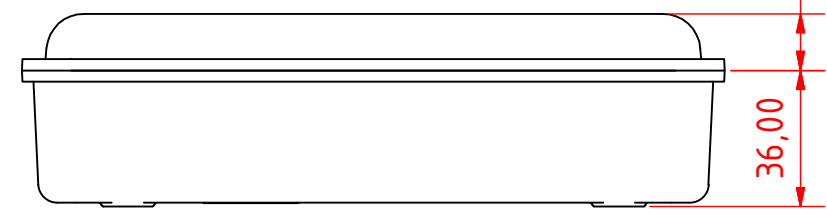


60,00
36,00

96,00

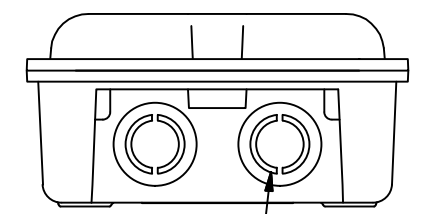


101,00

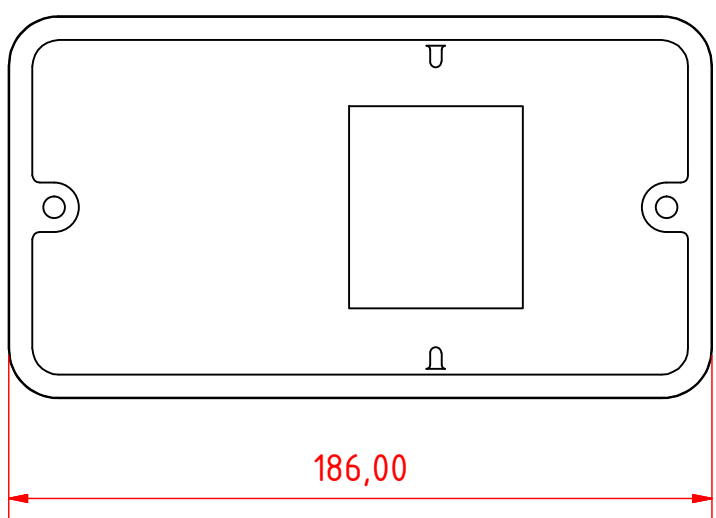


15,00

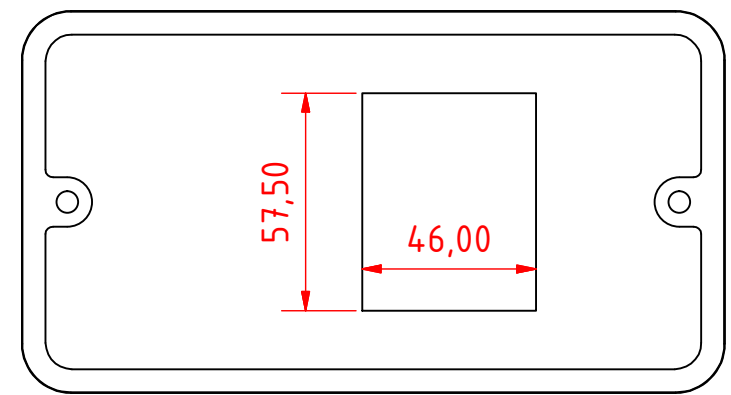
36,00



4 places for PG9

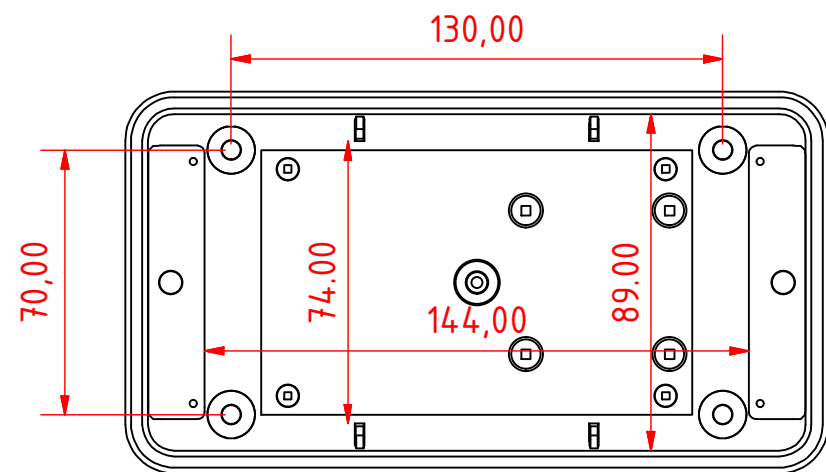


186,00



57,50

46,00



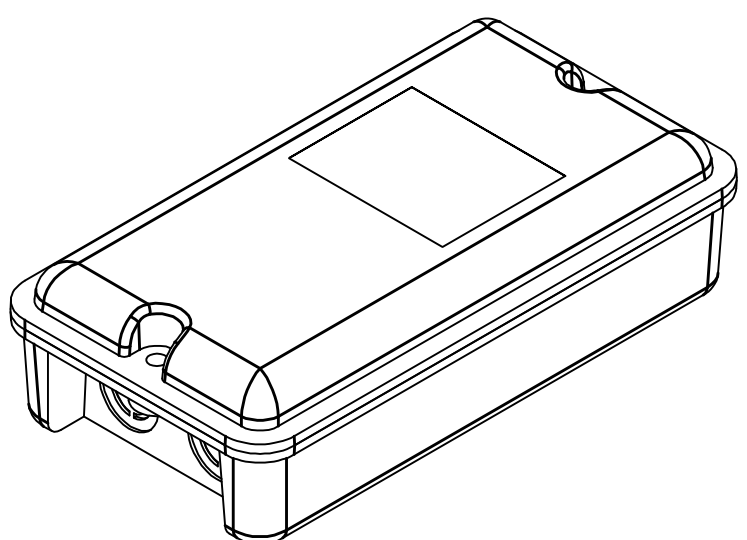
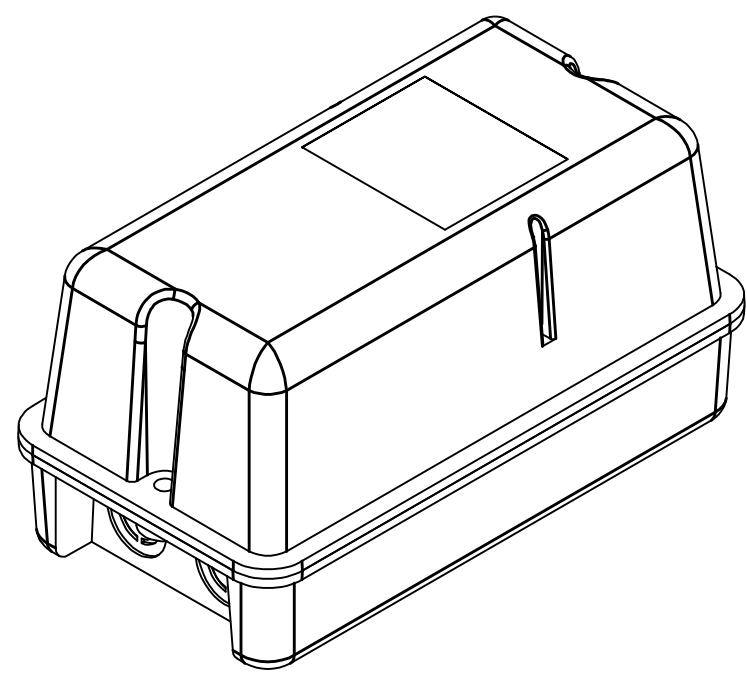
130,00

70,00

74,00

144,00

89,00



Date		Name	
Drawn	29-Dec-20	Martins	
Checked			
Standard			
PS-014_DIMENSIONS			1
			A3
State	Changes	Date	Name