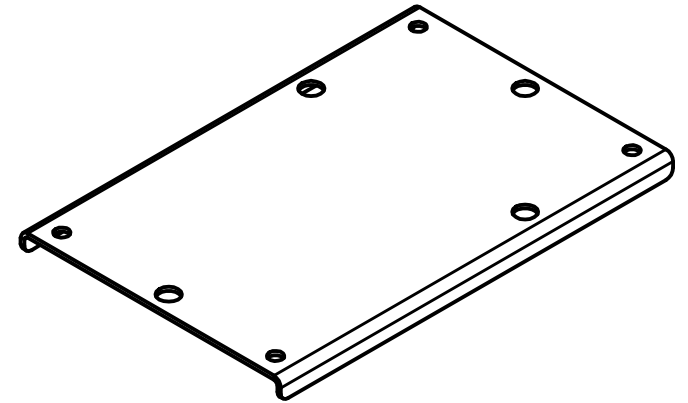
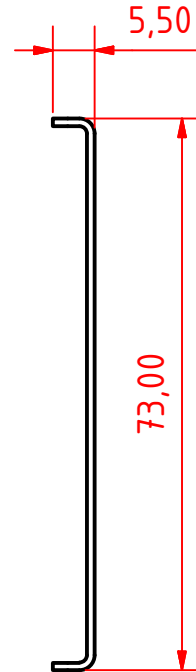
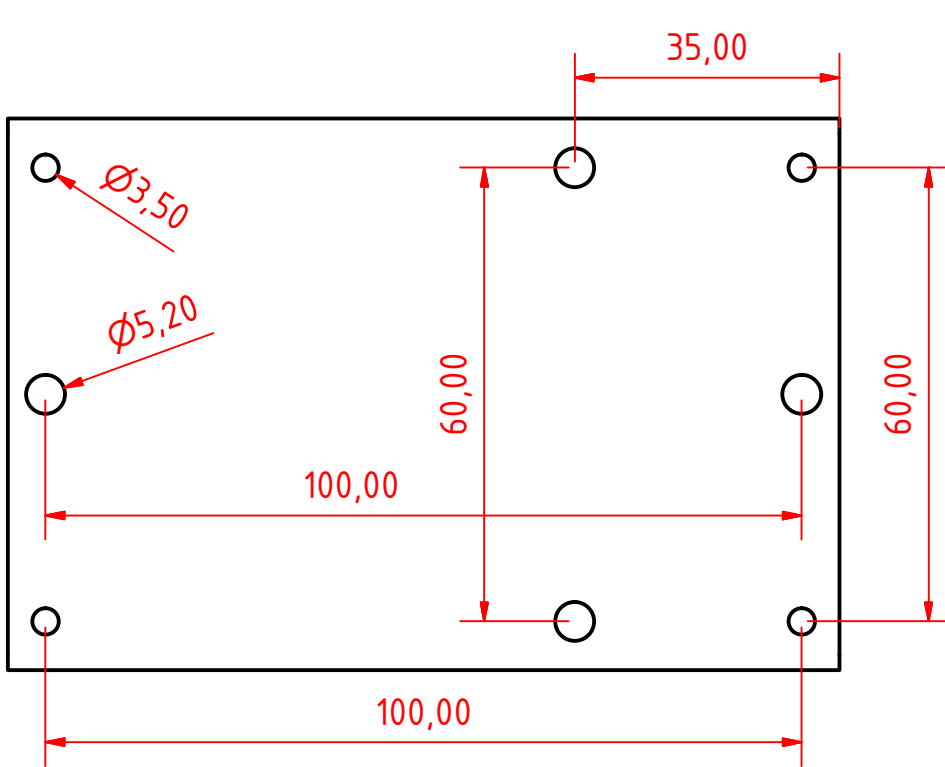
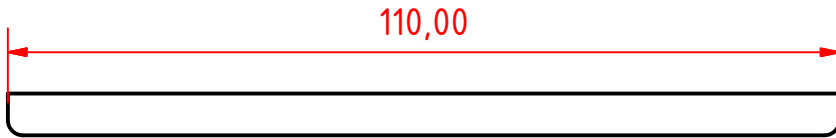


Material : AISI304



				Date	Name		
				Drawn	30-Nov-22	Martins	
				Checked			
				Standard			
				PS-014-06A			1
							A4
State	Changes	Date	Name				