

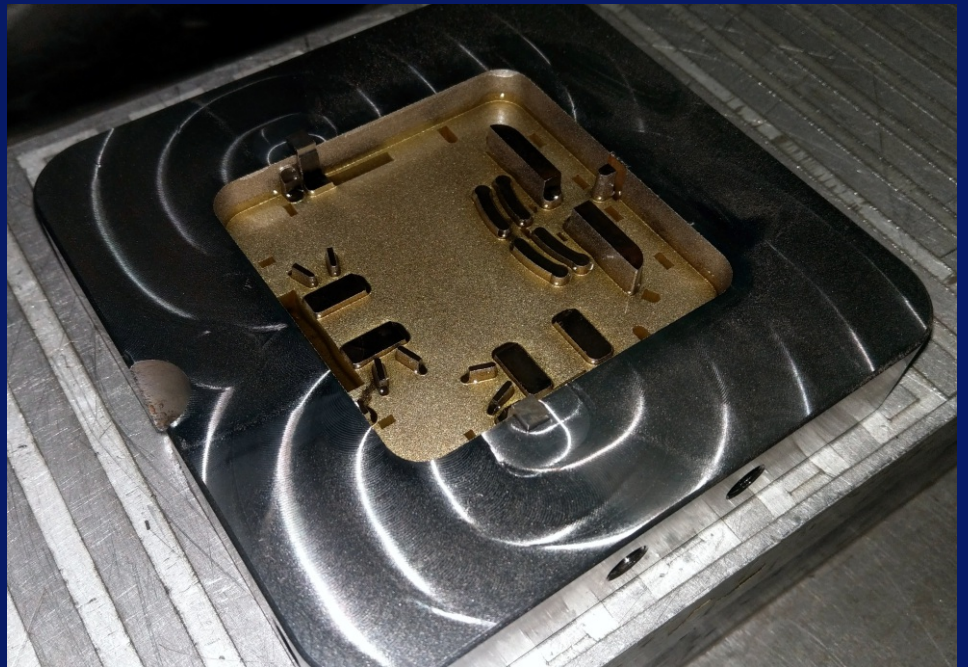
ComNet

Producing of communications & data centers equipment since 1997th

FTTH PRODUCTS 2022

ComNet

Producing of communications & data centers equipment since 1997th



We have strong background in designing and manufacturing FTTH (Fiber to The Home) solutions and also the equipment for communications, computer networking, structured cable systems and electrical engineering.

We are manufacturing various enclosures for electrical and electronical appliances, especially 19-inch and 10-inch racks and stands, wall mounting cases and frames, patch-panels, shelves, fiber-optical cable mounting elements and many other accessories.

Beside above mentioned we are also offering different solutions for professional audio-video, stage equipment, video surveillance and automation.

In this leaflet You will find information about our products from plastic for FTTH applications. If You find something interesting here, please don't hesitate to contact us for additional information i.e. prices, delivery options, examples etc.

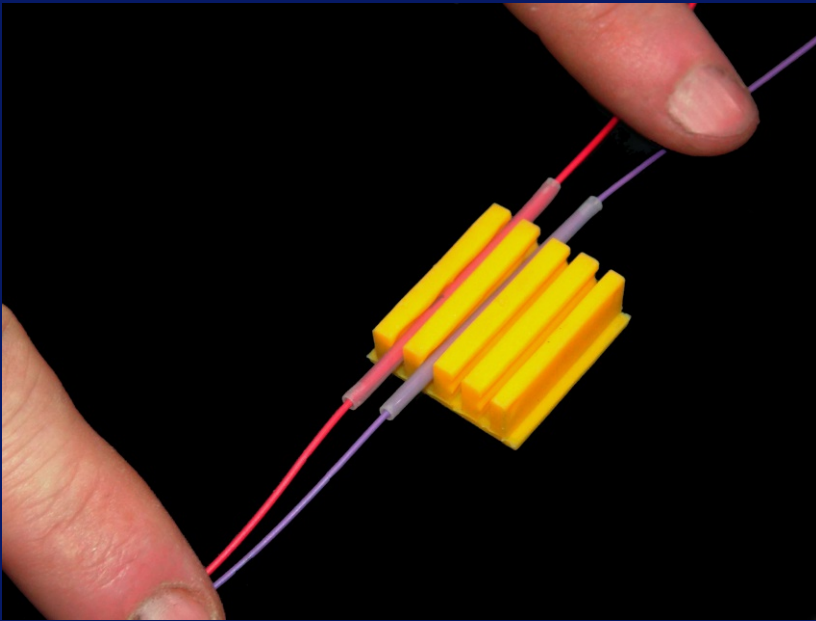
You can also check the interesting product on the www.ebay.com



ComNet

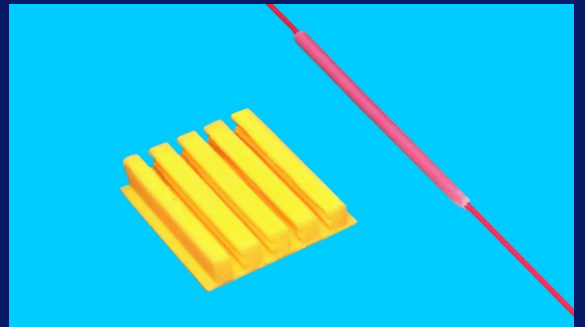
Producing of communications & data centers equipment since 1997th

FOS-10

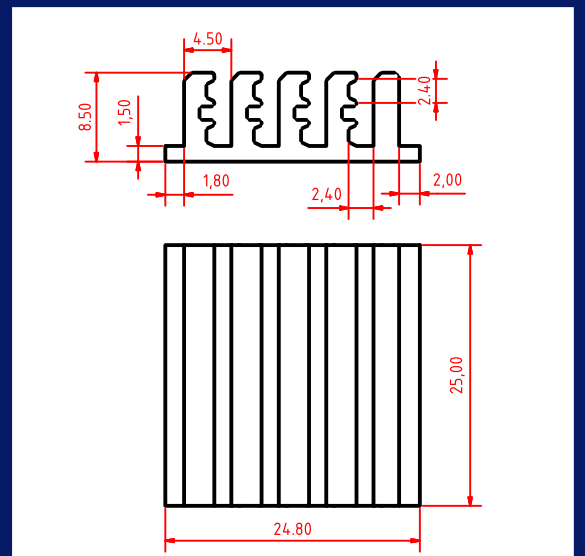


Splice holder FOS-10 is developed for delicate fixing up to 8 splices with diameter of splices not exceed 2.0 - 2.4 mm. Holders are available in set of 10 pcs, incl. double sided adhesive tape for each.

FOS-10 is base component for various other fiber optic products e.g. splicing cassettes FOS-41NG, FOS-22, FOS-24.



Splice holders FOS-10 are available in packages in various amounts or included as set component in the other fiber - optic products.



Material : EVO (rubberized plastic)
Dimensions : 25.0*24.8*8.5 mm
Weight : about 6 gr

COMNET

Producing of communications & data centers equipment since 1997th

FOS-13 / FOS-19

Wall-mounting fiber-optic termination box for one SC connector

fiber-optic cable 5-9 mm

detachable cover

Wall-mounting fiber-optic termination box for one Duplex-SC connector

place for label

fixing for 2 splices

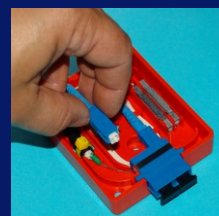
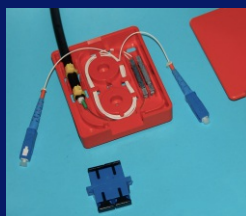
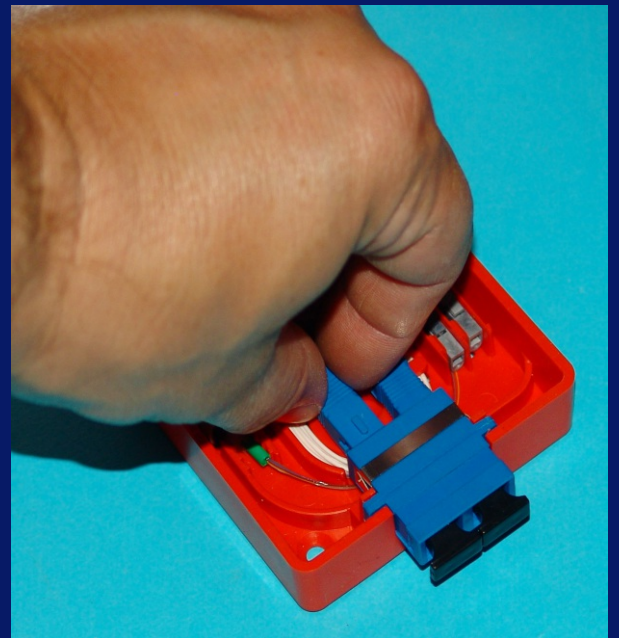
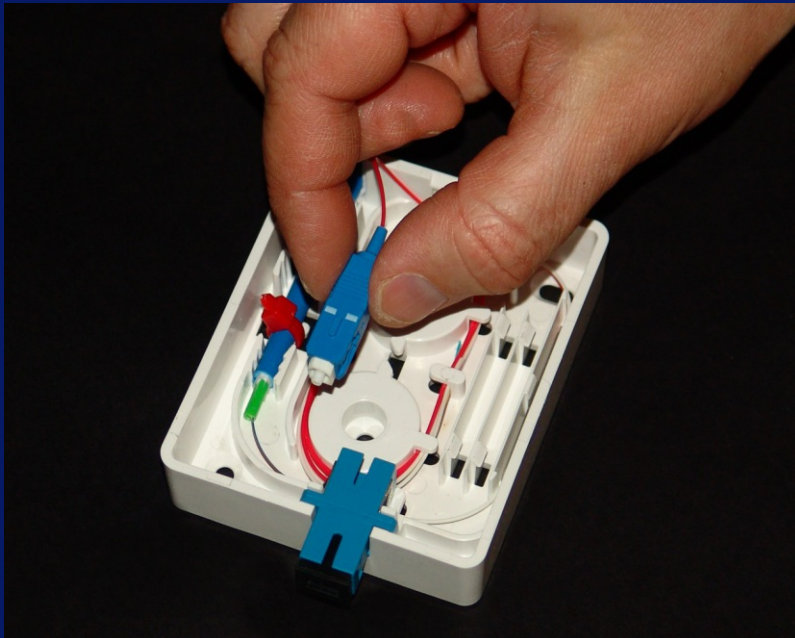
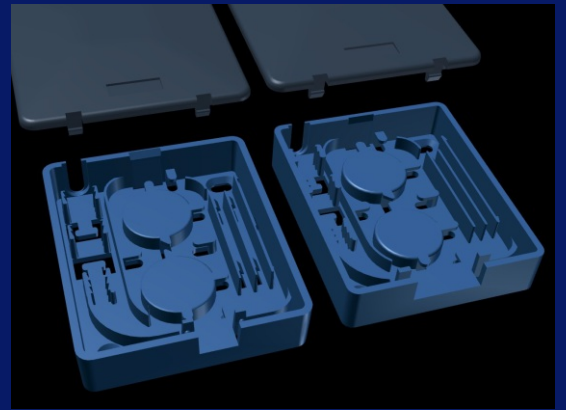
fixing for 2 mechanical connectors

SC / Duplex-SC connector

cable spool

cable fixing with strips

FOS-13 and FOS-19 are wall-mounted outlets for optical cable supply to end-user device. FOS-13 provided for one SC adapter, but FOS-19 - for one Duplex-SC adapter.



ComNet

Producing of communications & data centers equipment since 1997th

FOS-13 / FOS-19

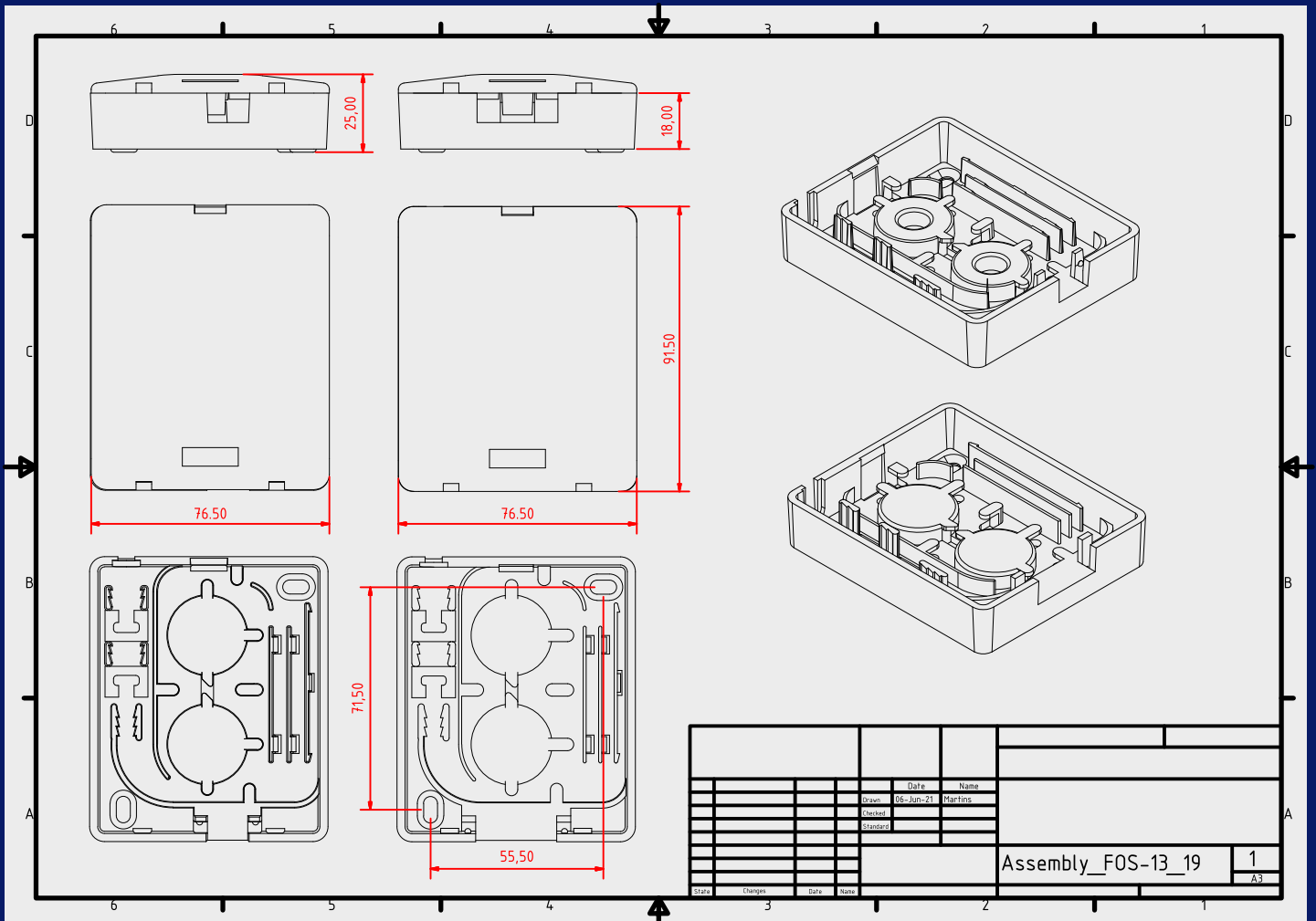
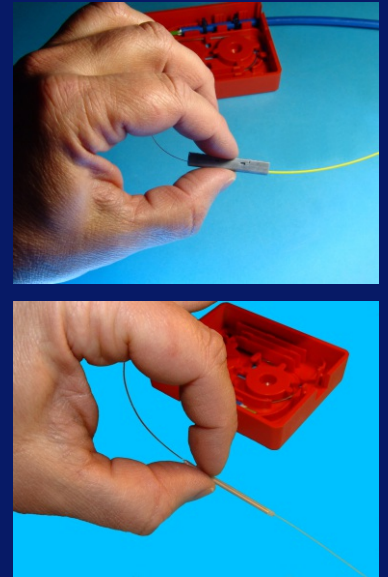
Our Fiber-optic wall sockets FOS-13 and FOS-19 supports both connection methods - using mechanical connector or heat-shrink protector.

There are fixings for up to two mechanical connectors or two fusion splices.

Incoming cable is fastened with two plastic cable ties.
Inside of the termination box you can also find cable reel with fixings for fiber and pigtail as well.

You can fix box to the wall by using two 4mm screws.

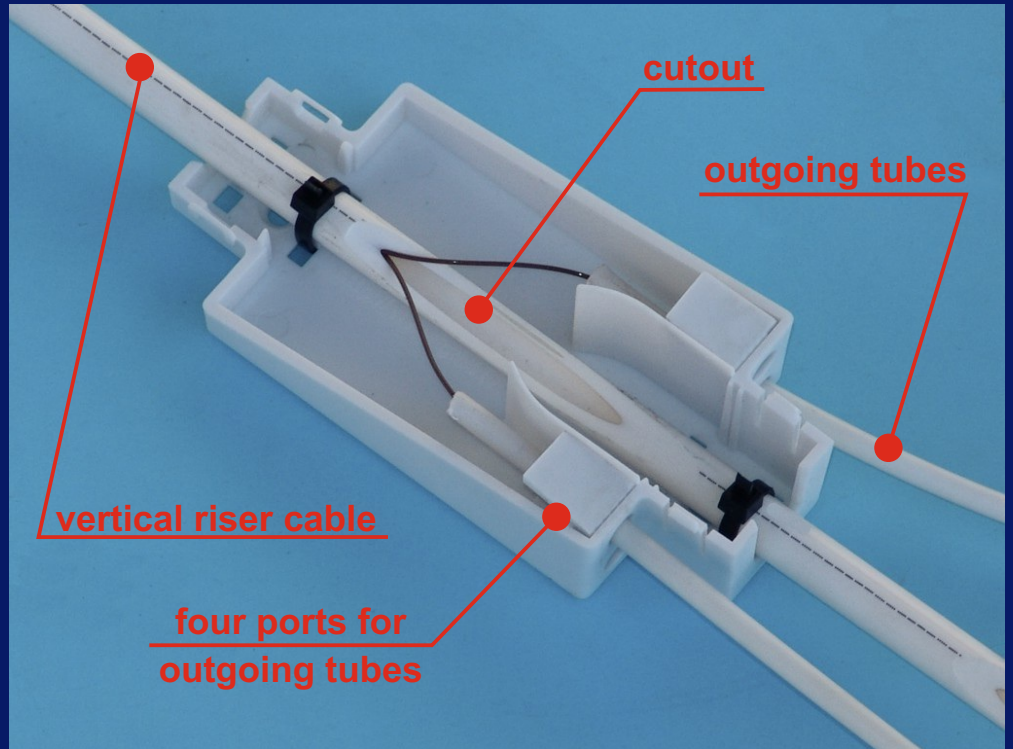
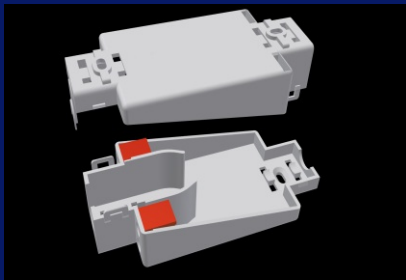
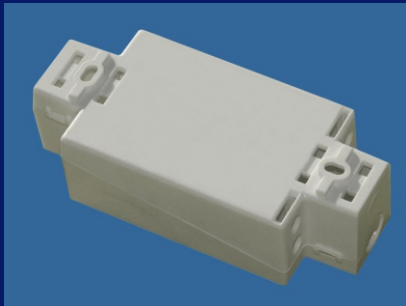
Dimensions : 92.5*75.5*25 mm
Made from hig-grade ABS plastic



ComNet

Producing of communications & data centers equipment since 1997th

FOS-16



Fiber optic distribution box FOS-16 is devised for GPON technology - optical fiber separating and providing access for each subscriber. It is cost effective solution especially for apartment houses. For fiber-optic connection and extension we are proposing splicing protection box FOS-18, which is devised for 1-2 fiber-optic connections placed into 5 mm plastic tubes. Combining both products you can make quick and price-performance FTTH solution —at least one optical fiber for each subscriber. FOS-16 providing distributing up to four fibers from vertical riser cable

Dimensions : 130*60*39 mm
Drop-cable diameter : 6 -14 mm
Outgoing tubes : 5 mm.

Made from hig-grade PC plastic



COMNet

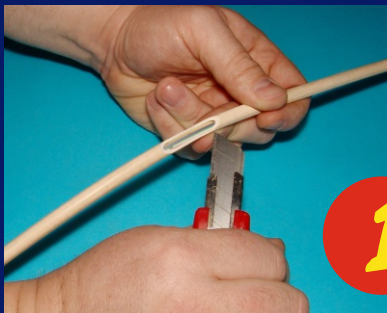
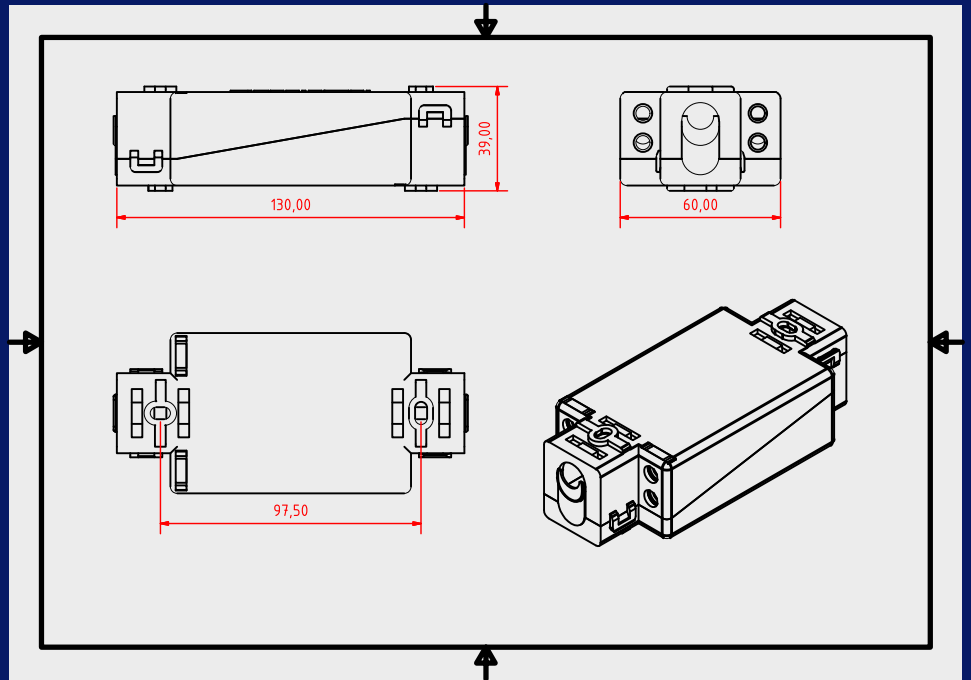
Producing of communications & data centers equipment since 1997th

FOS-16

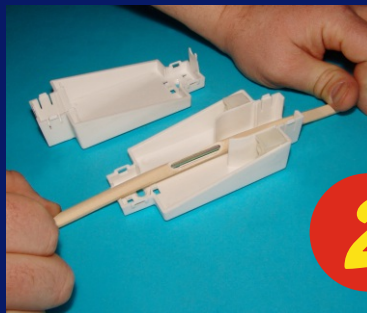
Fiber optic distribution box FOS-16 can be mounted directly on drop cable and fixed with plastic strips.

It is also possible to fix it on the wall with two screws

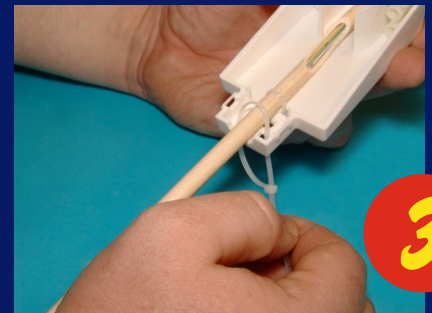
Installation of FOS-16 is simply, but You should have a special tools.



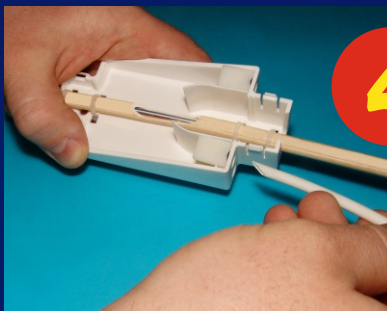
1



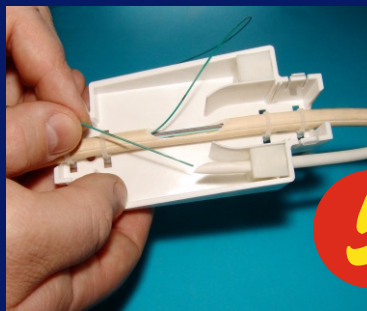
2



3



4



5



6

ComNet

Producing of communications & data centers equipment since 1997th

FOS-17

Fiber optic wall socket FOS-17 provided for one or two SC or LC adapters.

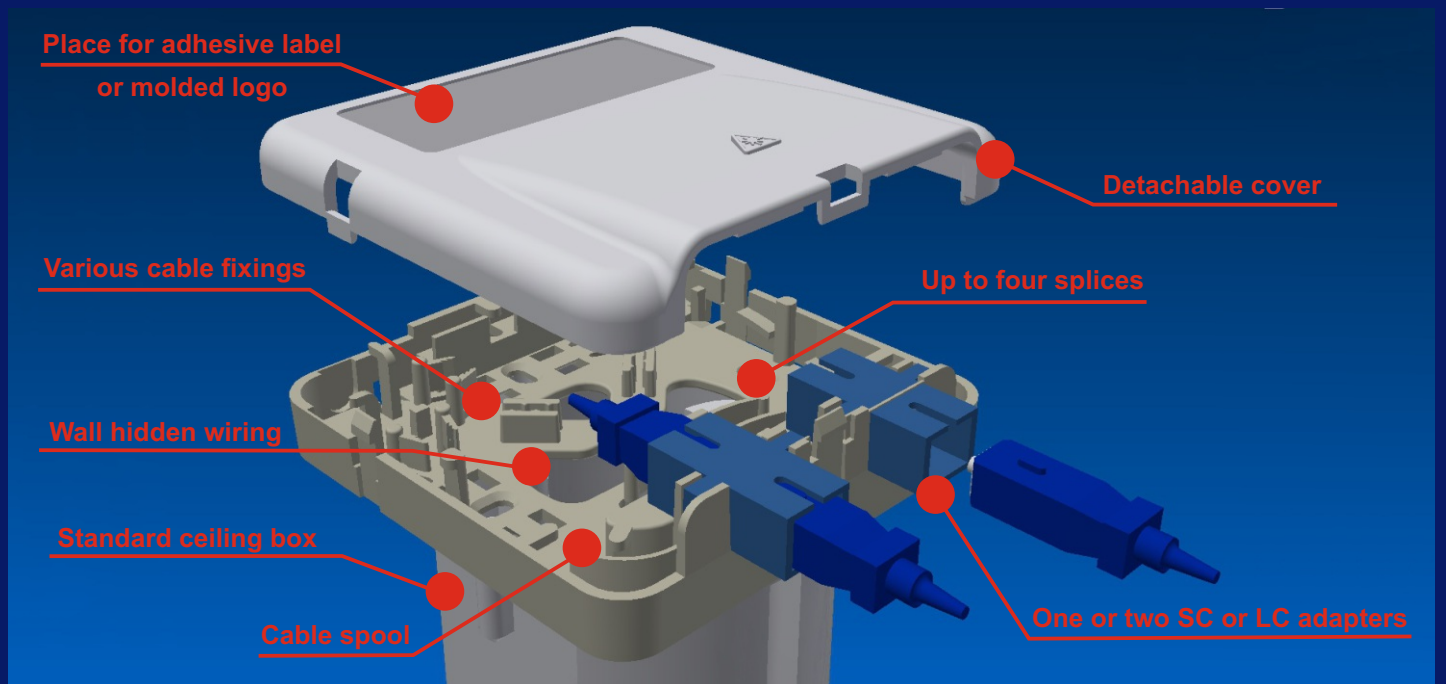
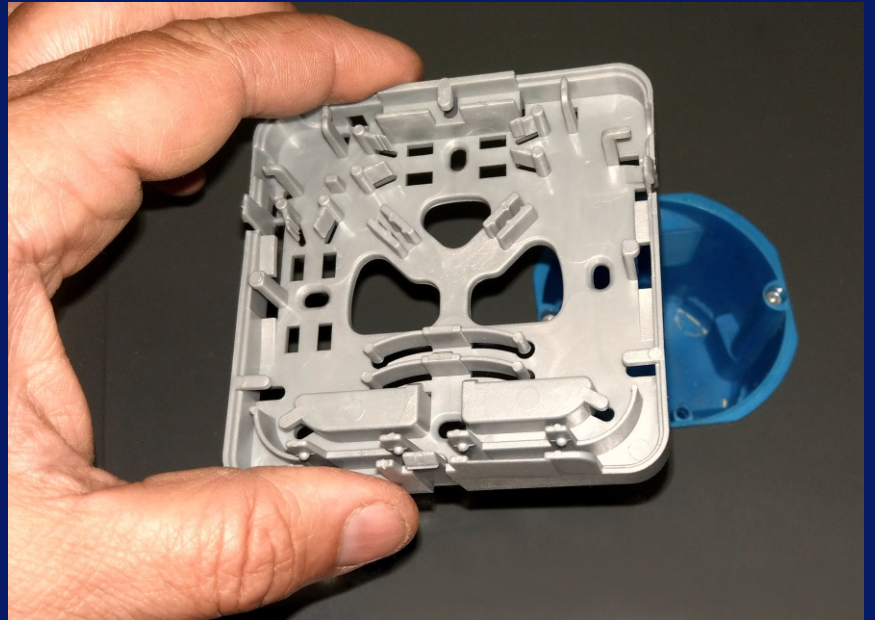
It can be mounted on standard electrical ceiling boxes or directly on the wall, using various types of fiber cables.

There are various types of cable fixings.

Up to four splices can be fixed here.

Made from High-grade polycarbonate (PC)

Dimensions : 85*85*22 mm
Weight : 48 grams



ComNet

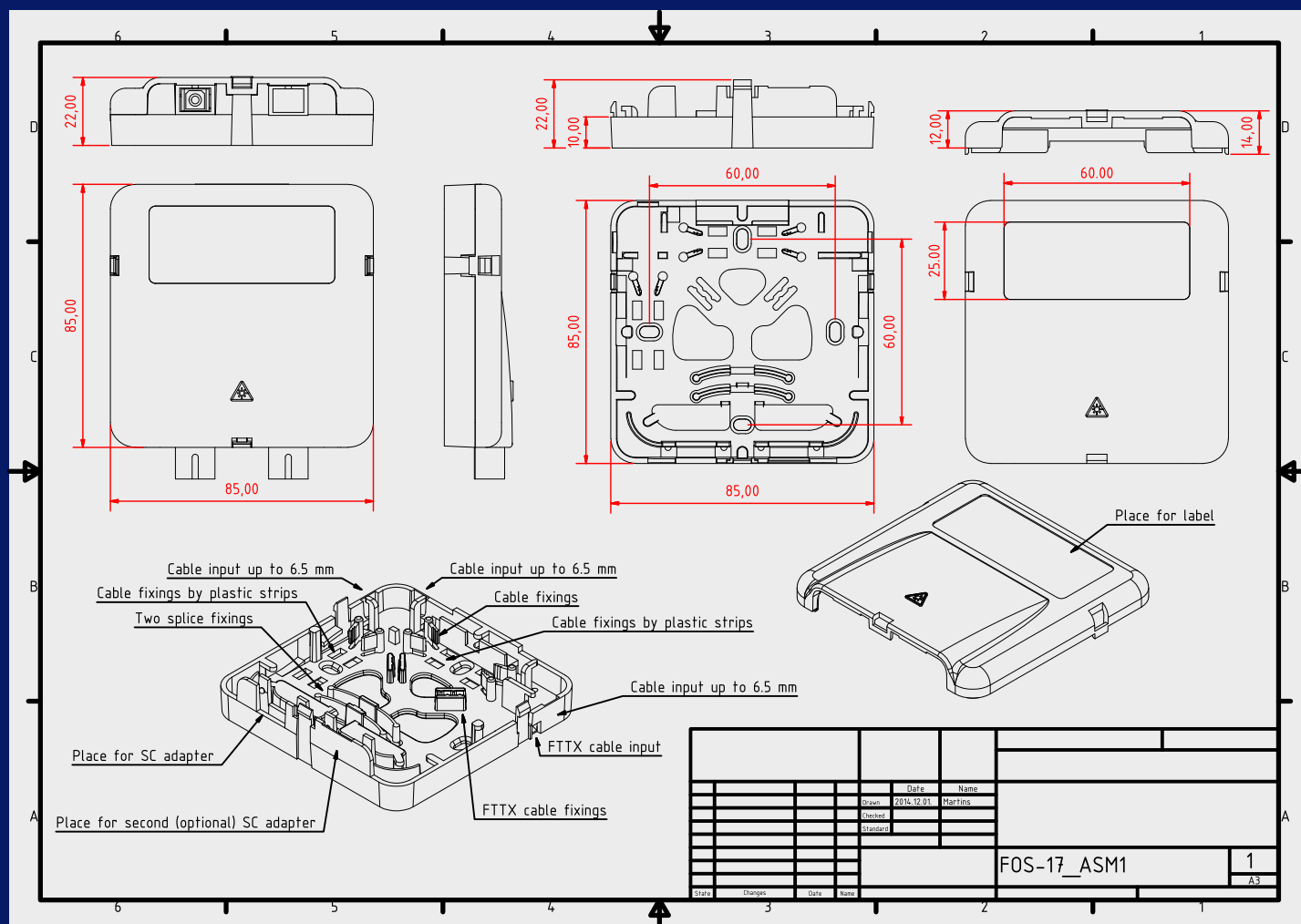
Producing of communications & data centers equipment since 1997th

FOS-17



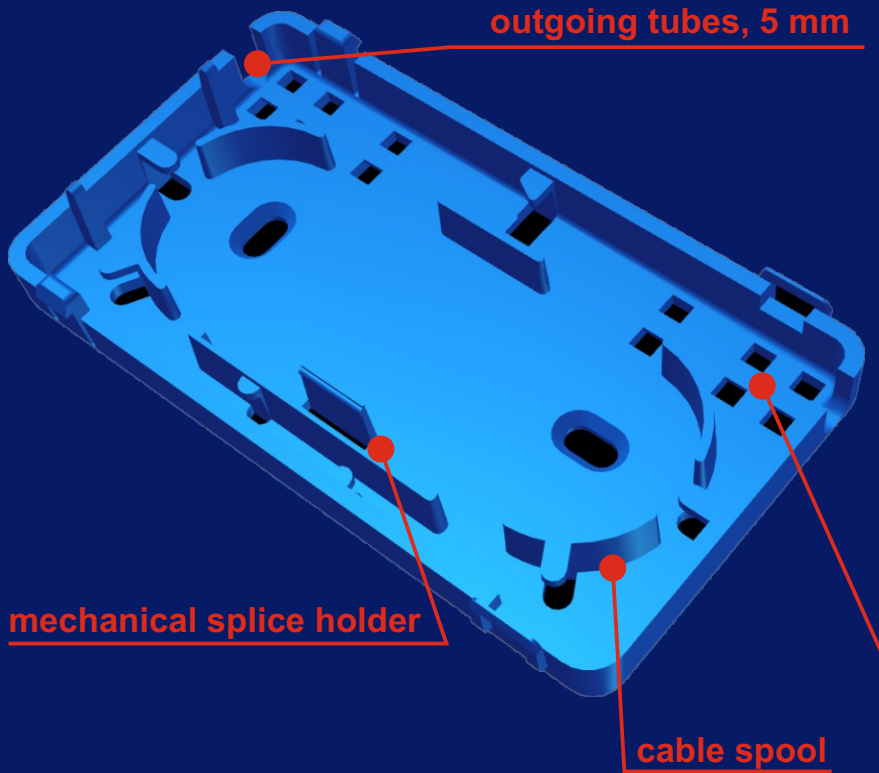
For the FOS-17 is possible adaptation to the customer interior and upon request can be manufactured in various colors.

The top cover is available in two versions: with recess for adhesive label or moulded customer logo.



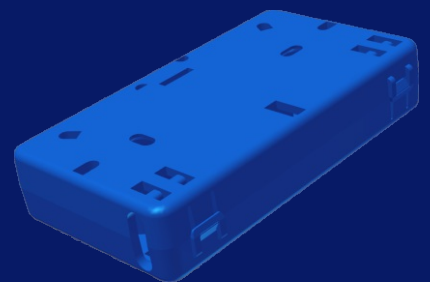
ComNet

Producing of communications & data centers equipment since 1997th



FOS-18

Mechanical splice protection enclosure with additional cable spool

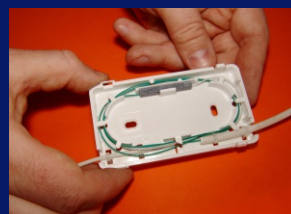
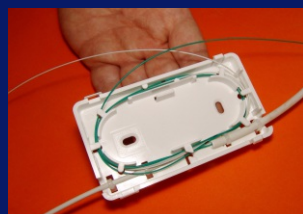
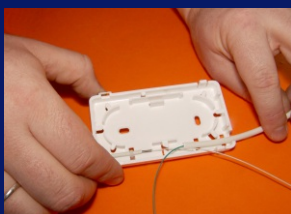
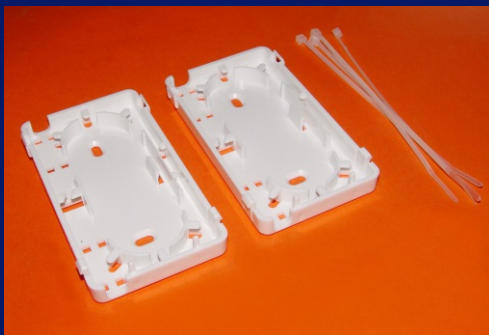
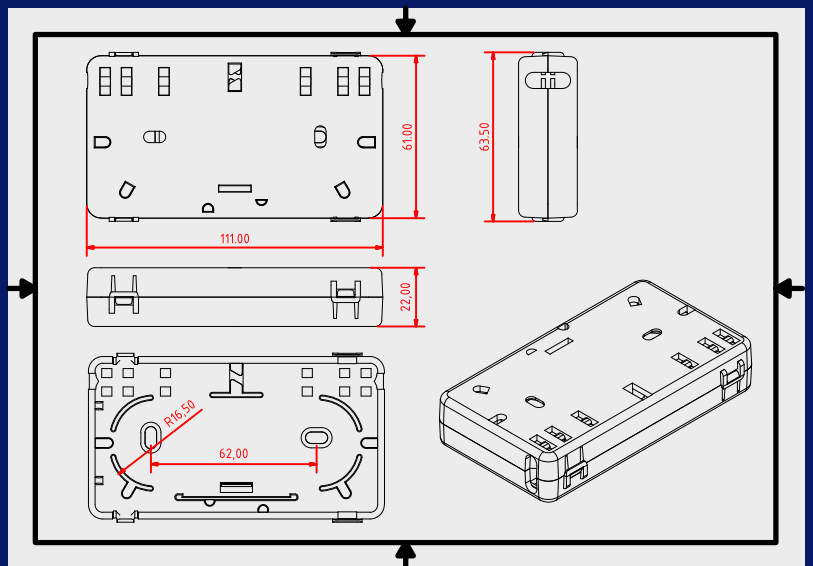


enclosure consists of two identical parts

outgoing tubes fixed by two plastic strips

FOS-18 is fiber-optic splicing protection box for optical cable supply to end-user device. Designed for protecting one or two splices, using mechanical connectors.

Dimensions : 111*63*22 mm
Made from hig-grade PC plastic



ComNet

Producing of communications & data centers equipment since 1997th

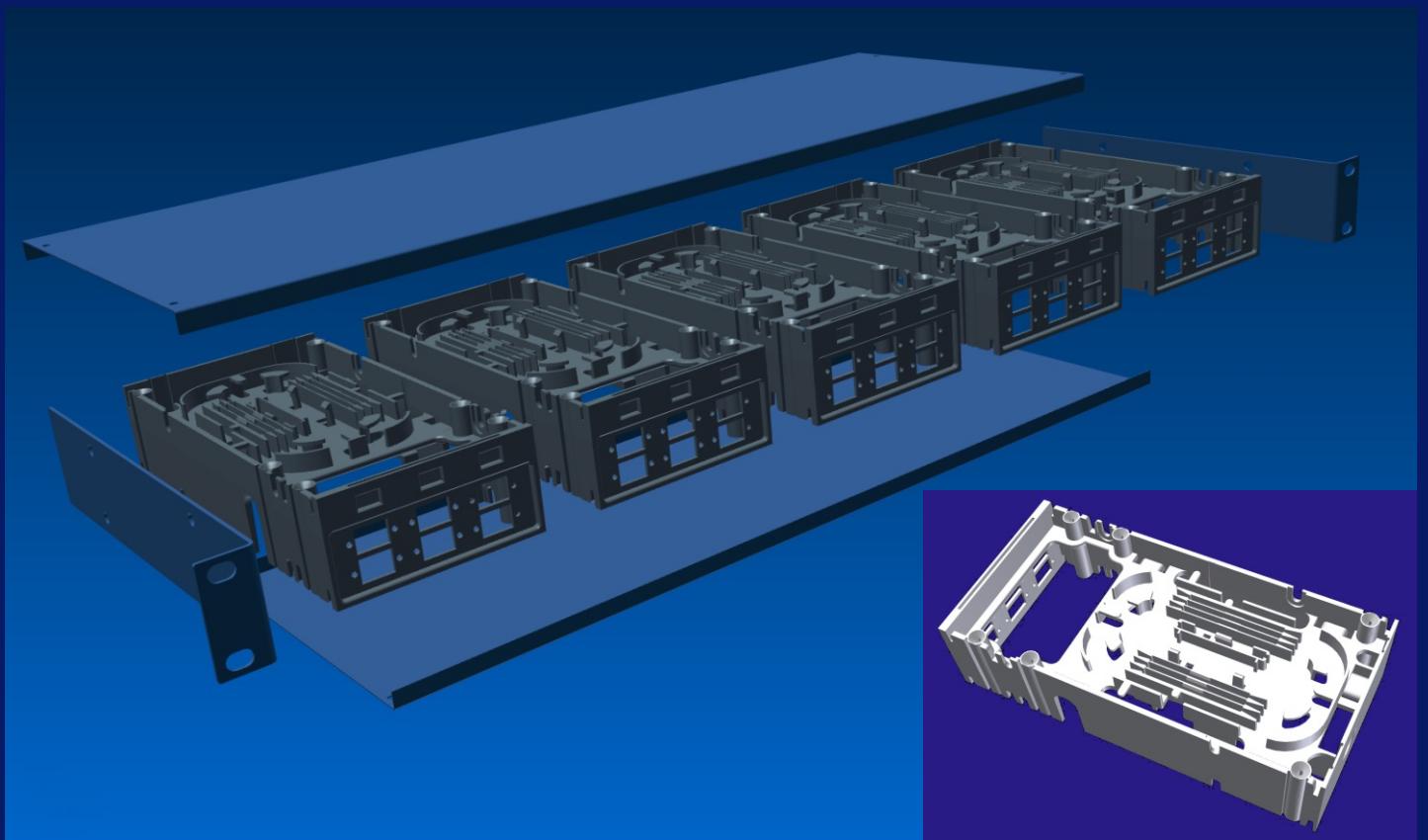
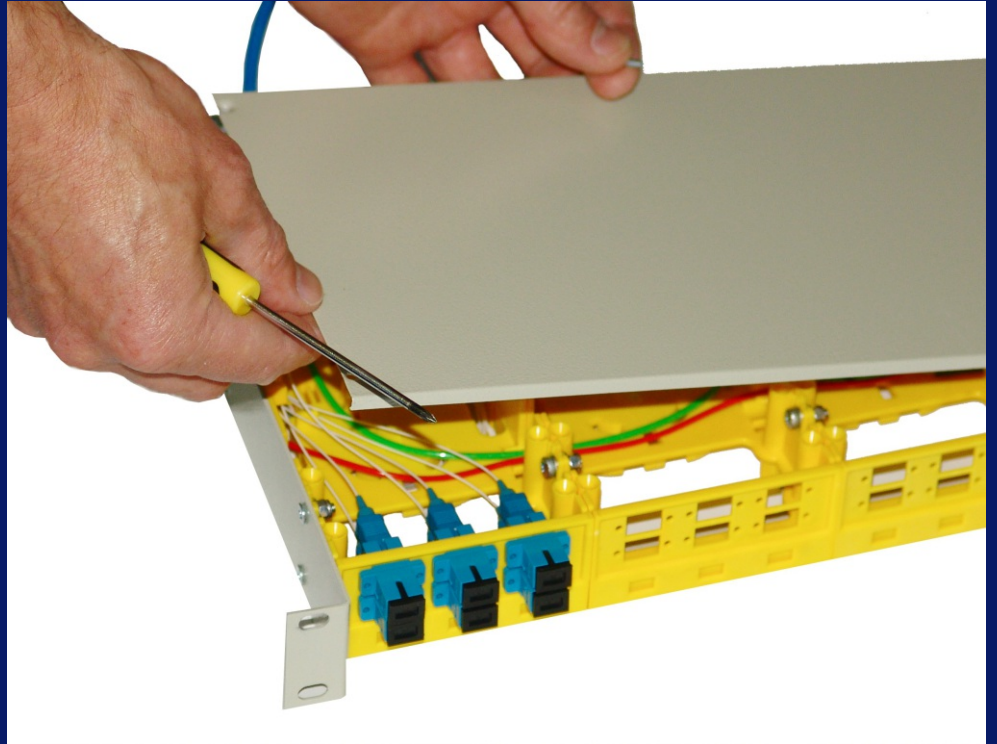
FOB-21

FOB-21 is the new generation patch panel whose construction incorporates various revolutionary solutions.

This patch panel is produced from molten ABS plastic blocks which include all necessary optical cable termination elements for cable fastening and adapter mounting.

These new technical solutions allow to provide simple, highly integrated, multi functional 19-inch patch panel, with relatively low cost.

Dimensions : 483*200*44 mm
Made from hig-grade ABS plastic blocks with sheet steel panels.



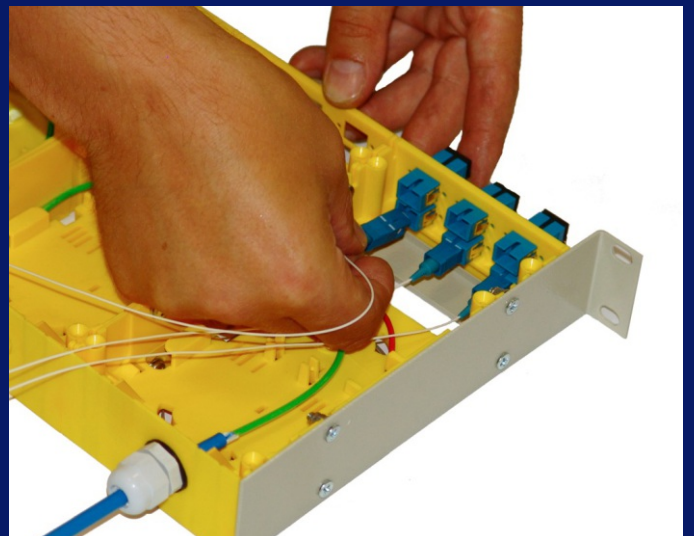
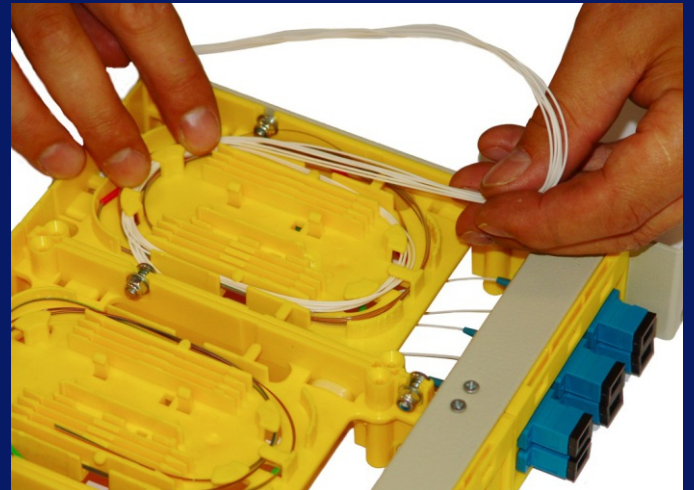
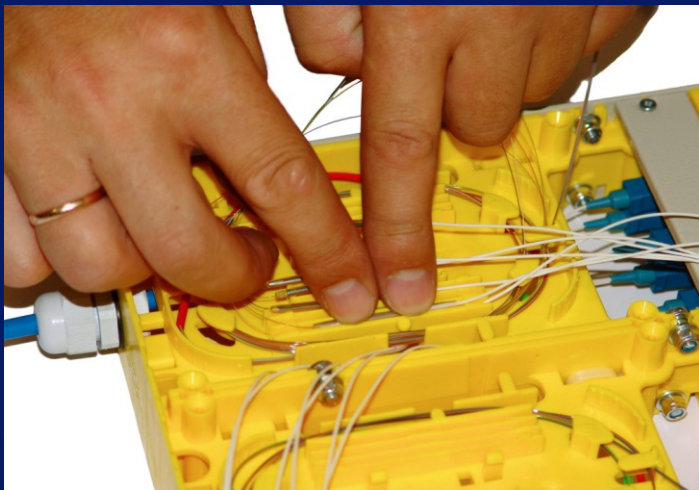
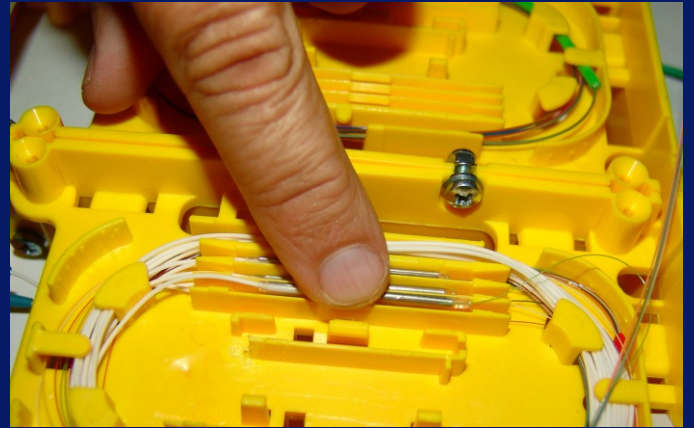
ComNet

Producing of communications & data centers equipment since 1997th

FOB-21

Patch panel FOB-21 designed for 30 SC or LC adapters installation. It is possible to supply every of the five units with PG9 type cable inlet with diameter up to 7 mm, or with up to 12 mm thick cable using plastic strips.

The hole in each unit allows incoming cable to lead through all cassettes. In case of necessity the similar hole can be made on patch panel backside.

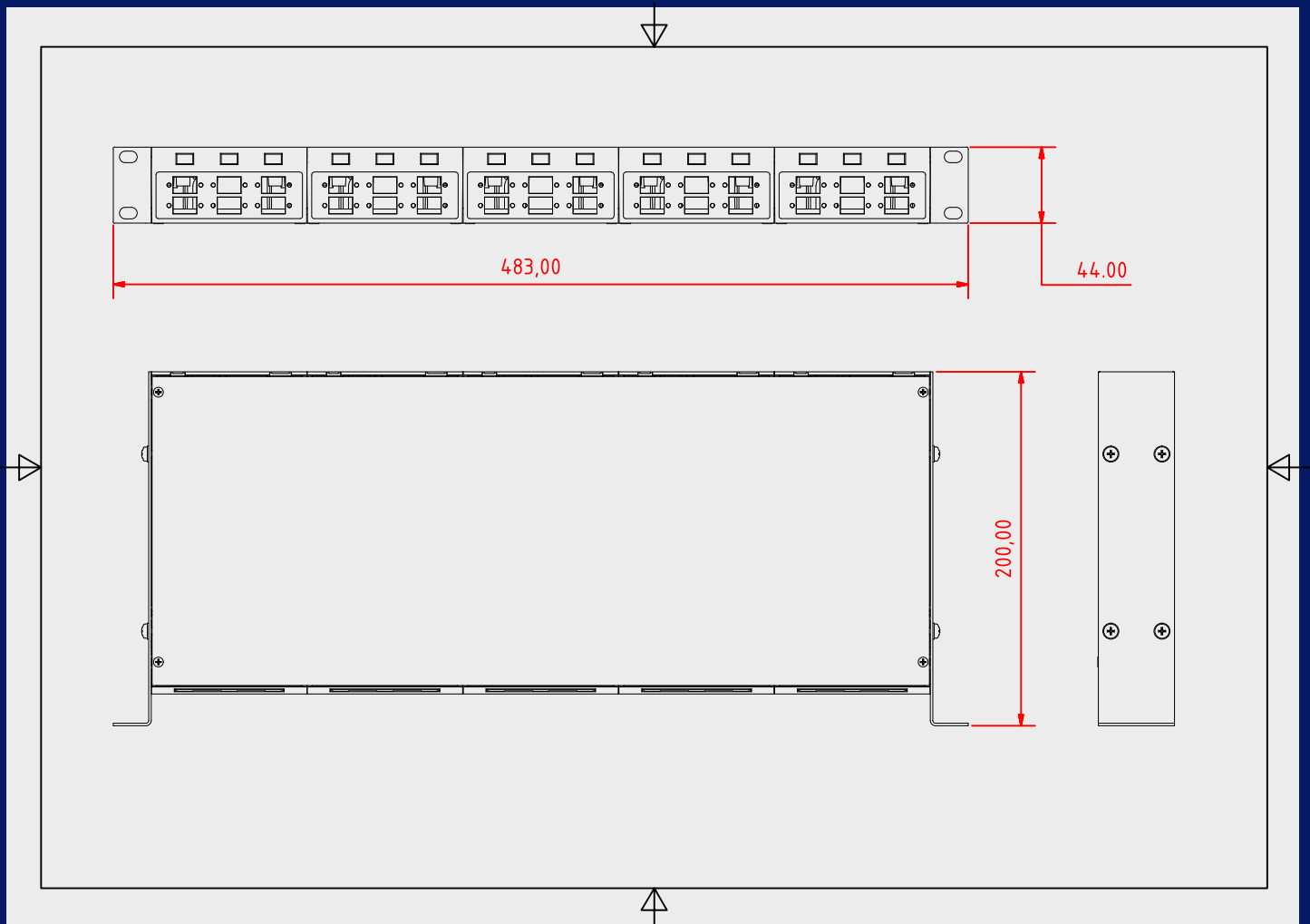
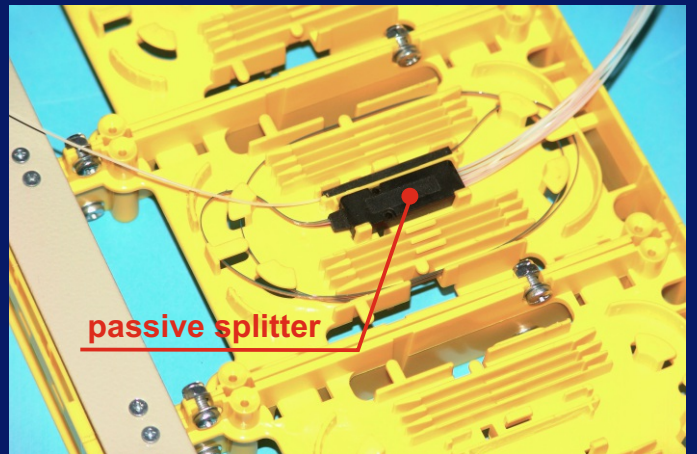
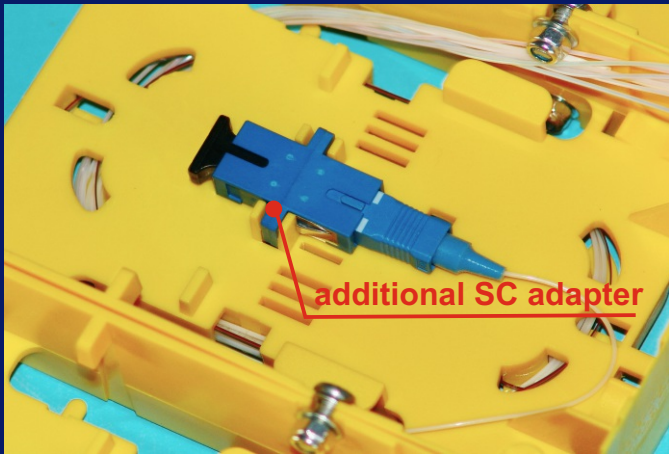


COMNET

Producing of communications & data centers equipment since 1997th

FOB-21

If required patch panel FOB-21 may be used for passive splitter installations
There are available corresponding fixings for every cassette.
Also, on the bottom of every cassette, is available dedicated place with
fixing for additional SC adapter.



ComNet

Producing of communications & data centers equipment since 1997th

FOS-22

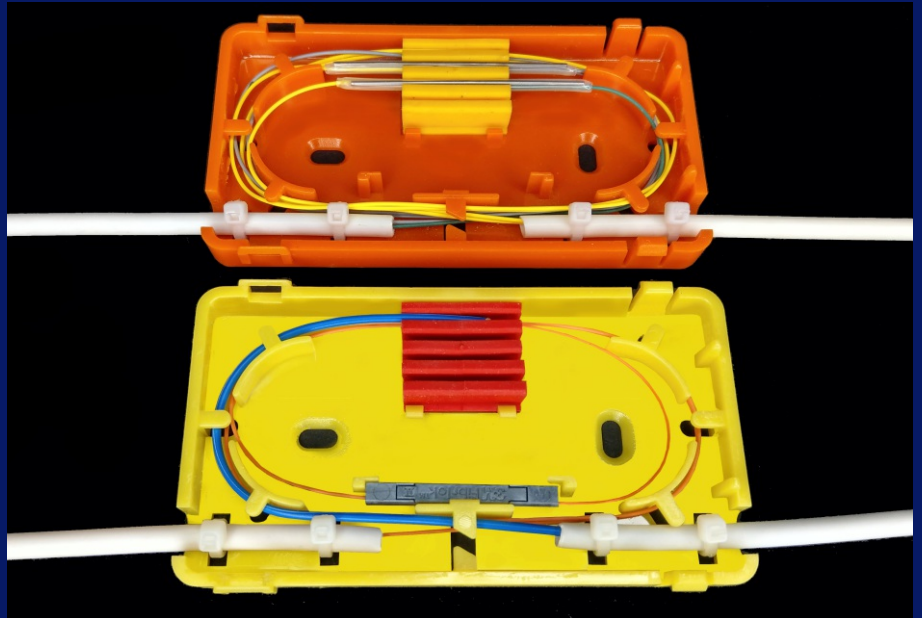
Fusion splice protection enclosure with additional cable spool

FOS-22 is fiber-optic splicing protection box for optical cable supply to end-user device.

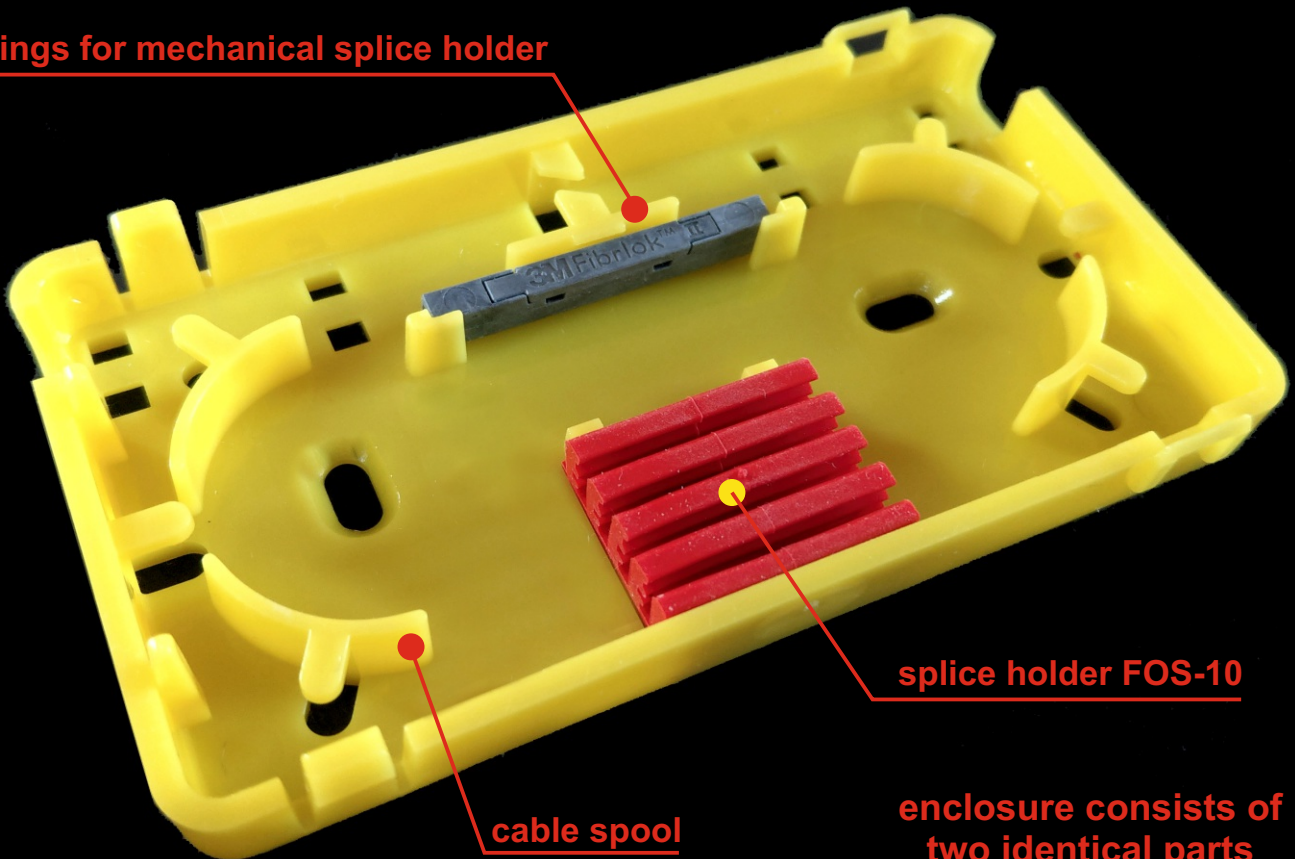
Contains fixings for both types of splices - mechanical and fusion.

Enclosure consists of two identical parts and can hold up to two mechanical splice holders or up to 16 fusion splices.

Fusion splices are fixed by two FOS-10 holders



fixings for mechanical splice holder



splice holder FOS-10

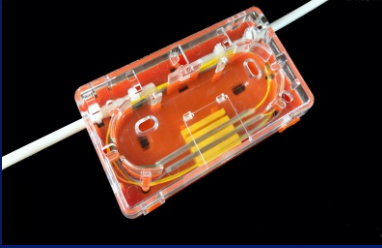
cable spool

enclosure consists of two identical parts

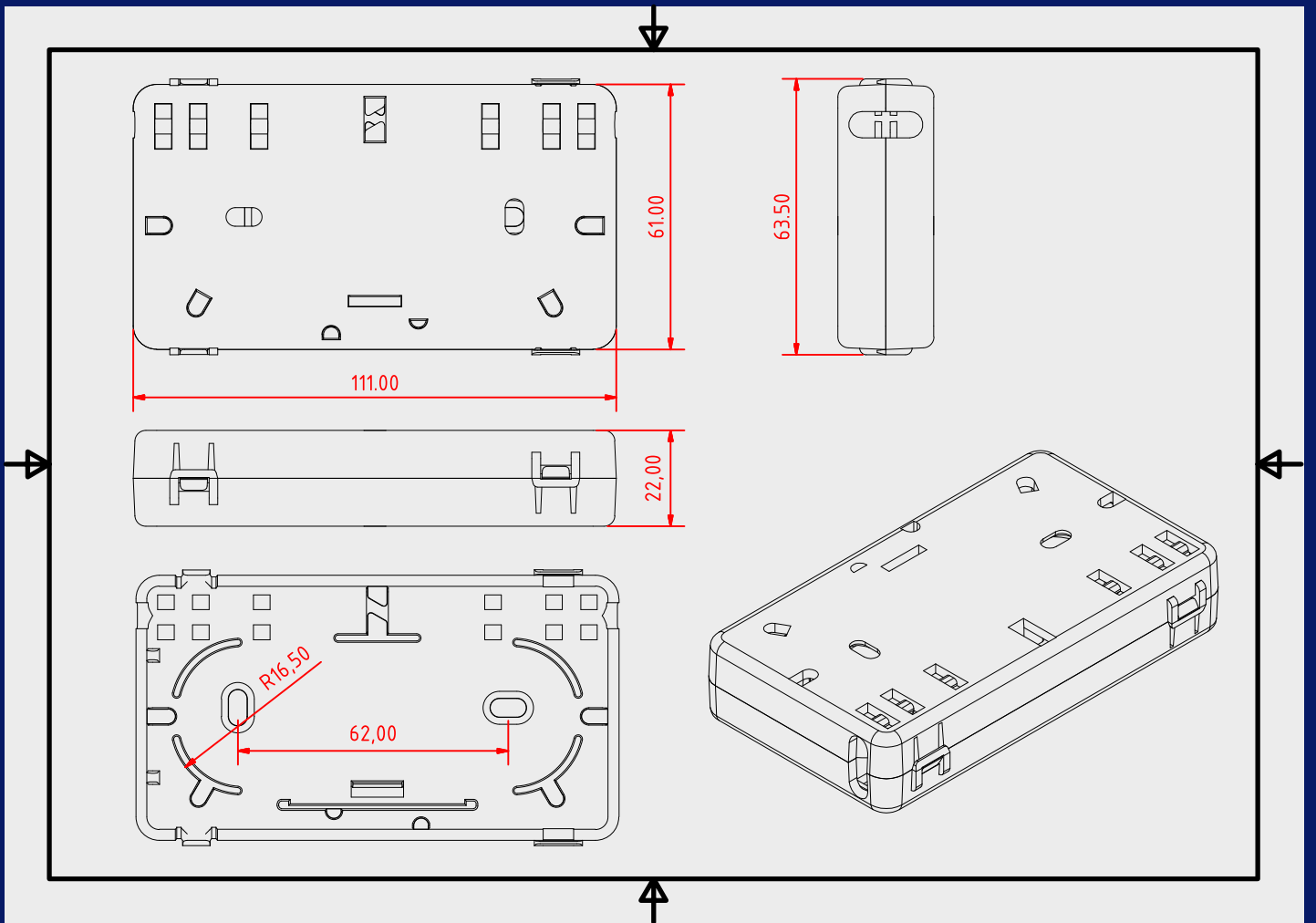
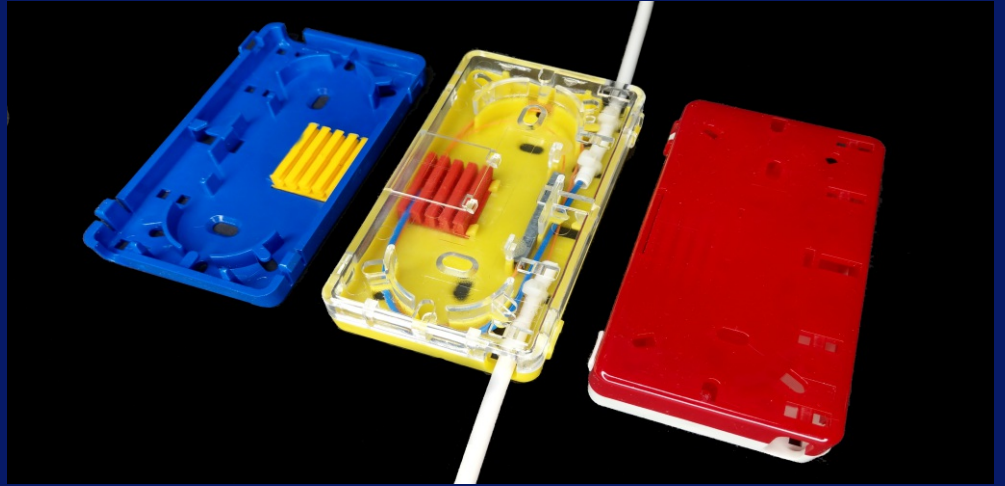
ComNet

Producing of communications & data centers equipment since 1997th

FOS-22



Dimensions : 111*63*22 mm
Weight : about 65 gr
Made from hig-grade PC plastic



COMNET

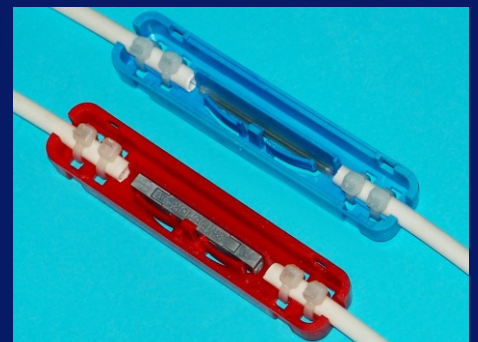
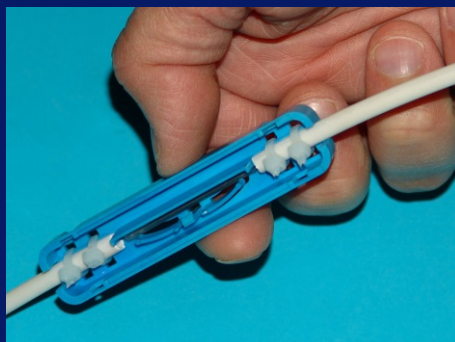
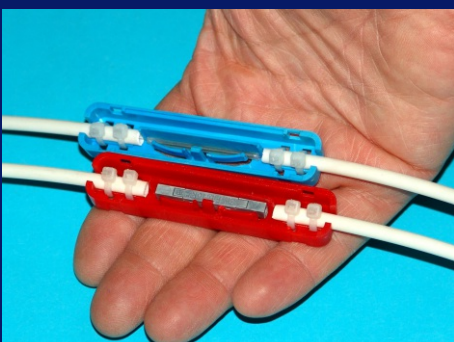
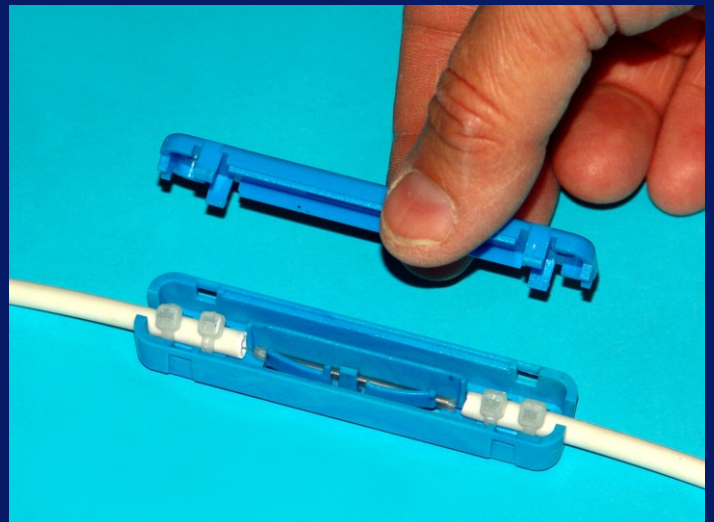
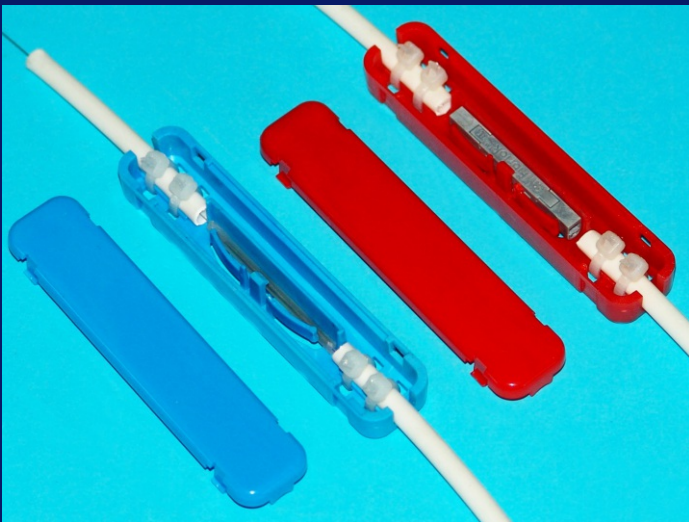
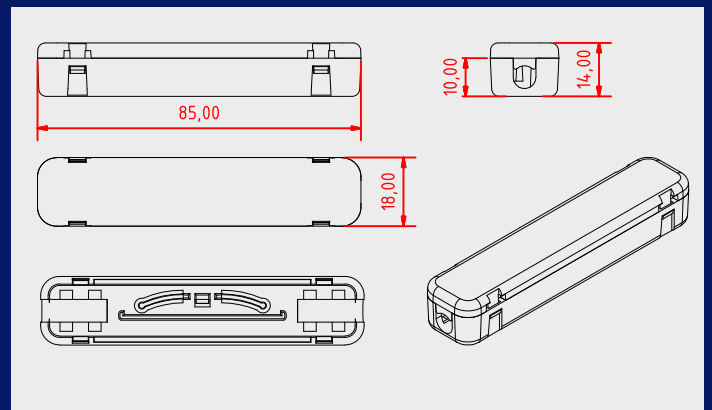
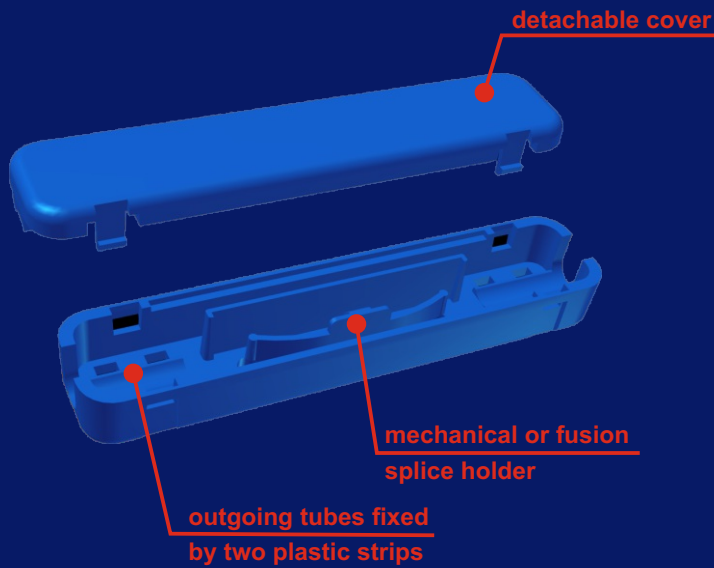
Producing of communications & data centers equipment since 1997th

FOS-23

Mechanical splice protection enclosure

FOS-23 is compact fiber optic splicing protection enclosure for FTTH solutions. There can be used mechanical connector or fusion splice. This is perfect repairing enclosure for one broken fiber.

Dimensions : 85*18*14 mm
Made from hig-grade ABS plastic



ComNet

Producing of communications & data centers equipment since 1997th

FOS-24

Fusion splice protection enclosure with additional cable spool

FOS-24 is very compact, closed fiber-optic splicing enclosure, providing splicing for up to 8 fusion splices.

Contains one rubberized splice holder FOS-10 for gentle splice fixing.

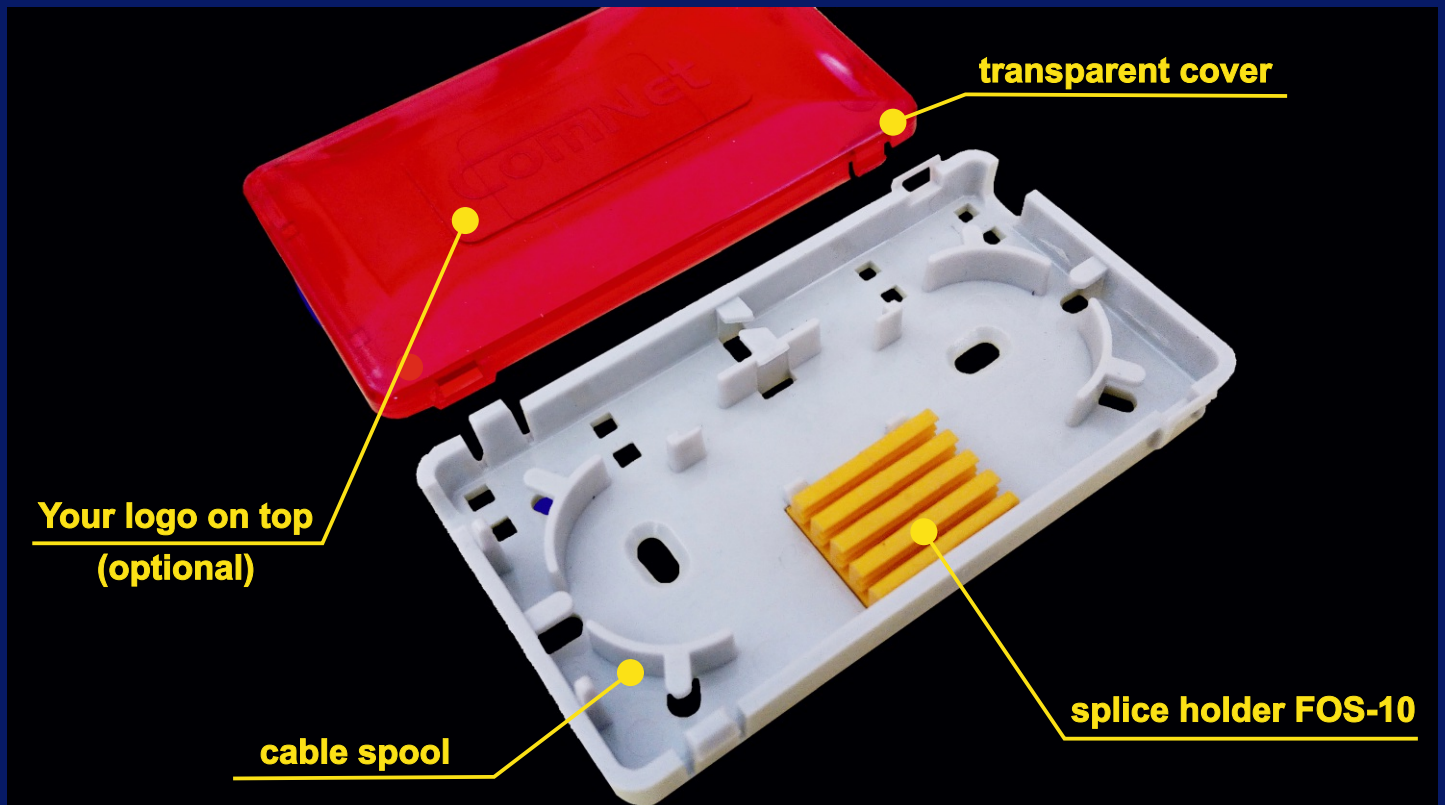
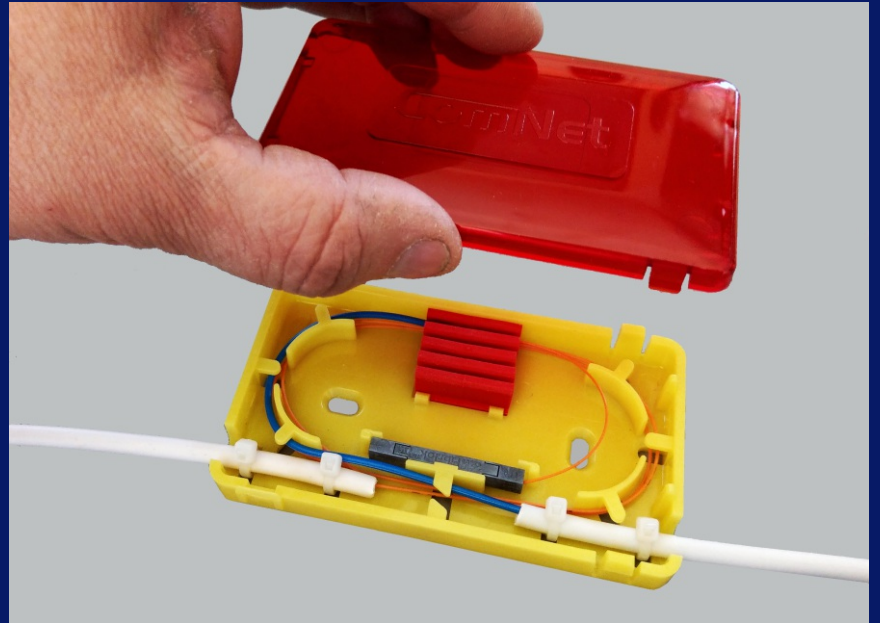
Enclosure consists of base, cover and splice holder.

Incoming and outgoing fiber cables can be fixed with plastic stripes.

Dimensions : 111*63*22 mm

Weight : about 56 gr

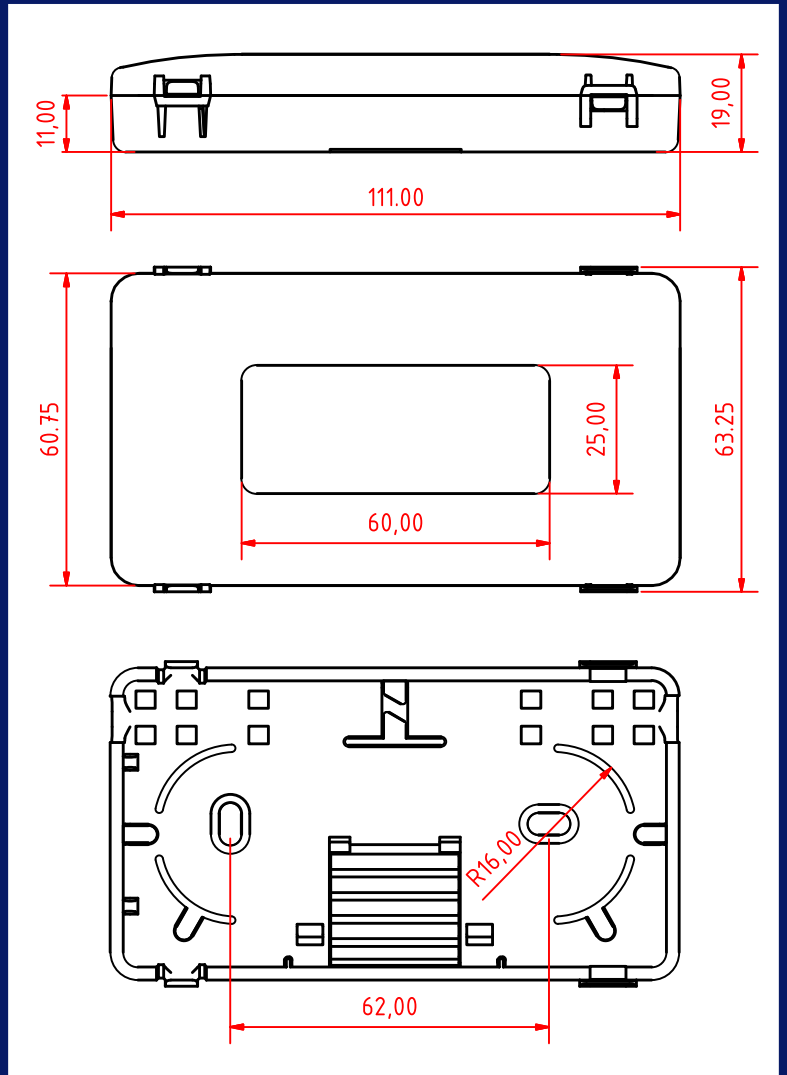
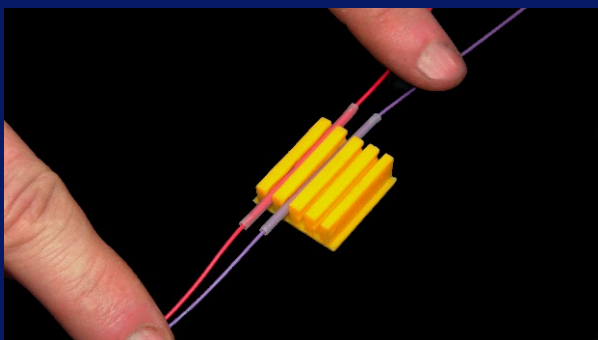
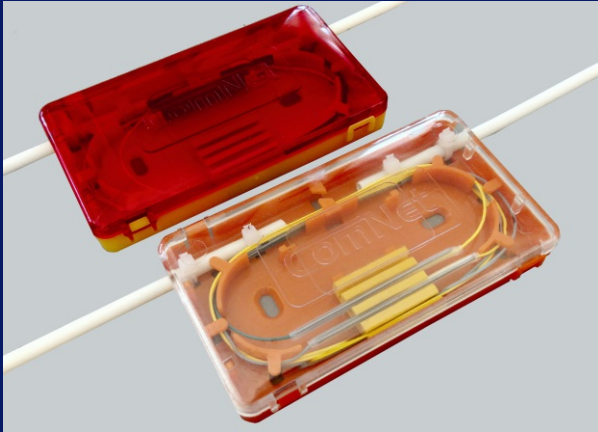
Made from hig-grade PC plastic



ComNet

Producing of communications & data centers equipment since 1997th

FOS-24

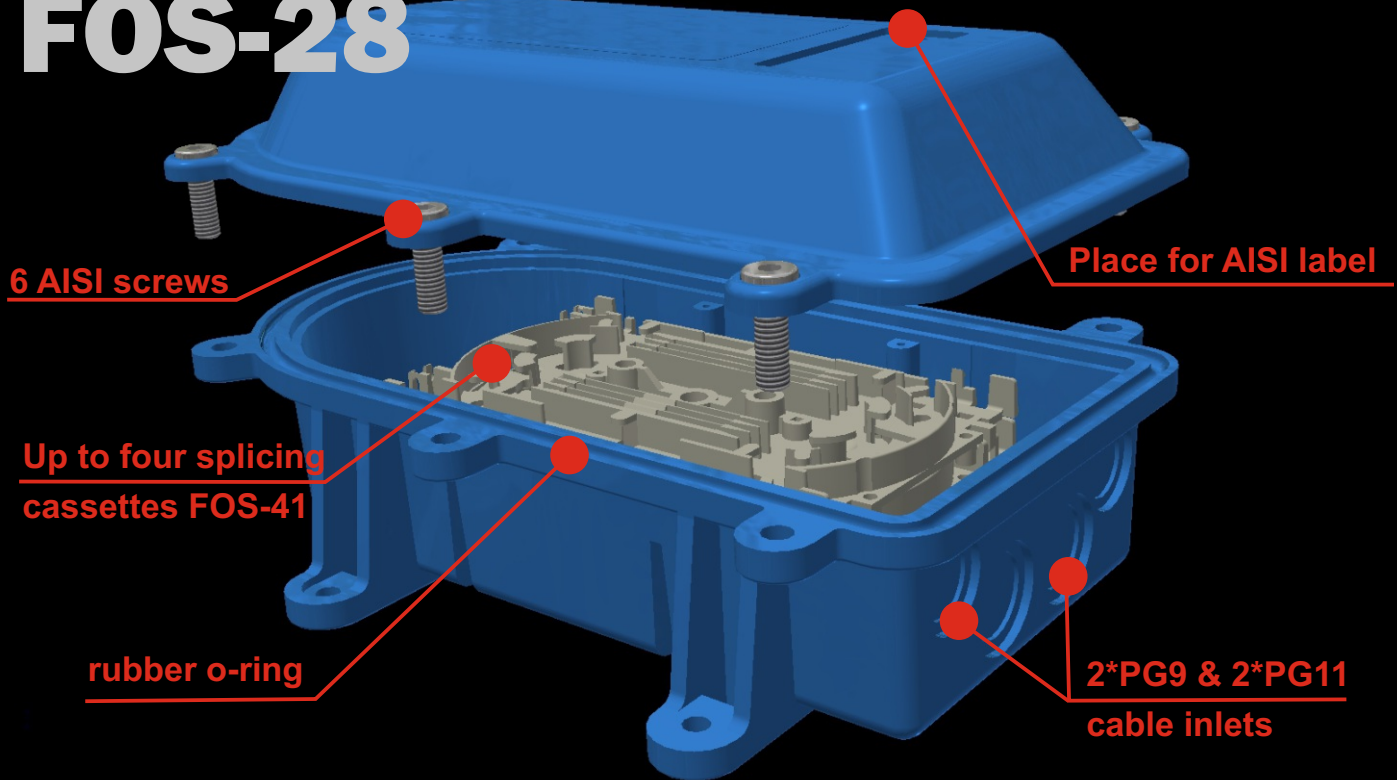


Splicing enclosure FOS-24 contains one rubberized splice holder FOS-10, provided for 8 connections.

ComNet

Producing of communications & data centers equipment since 1997th

FOS-28



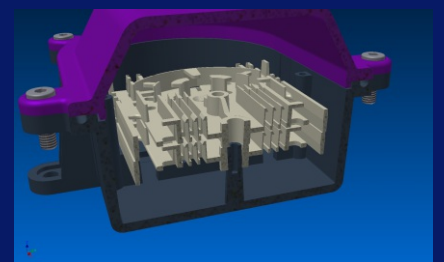
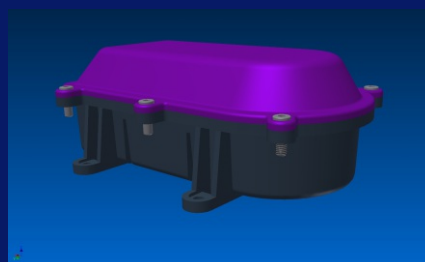
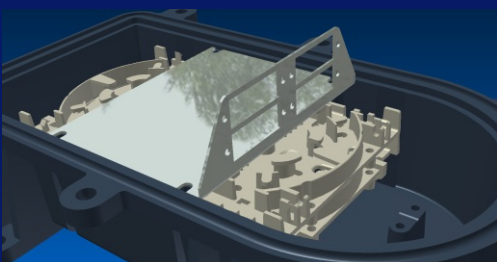
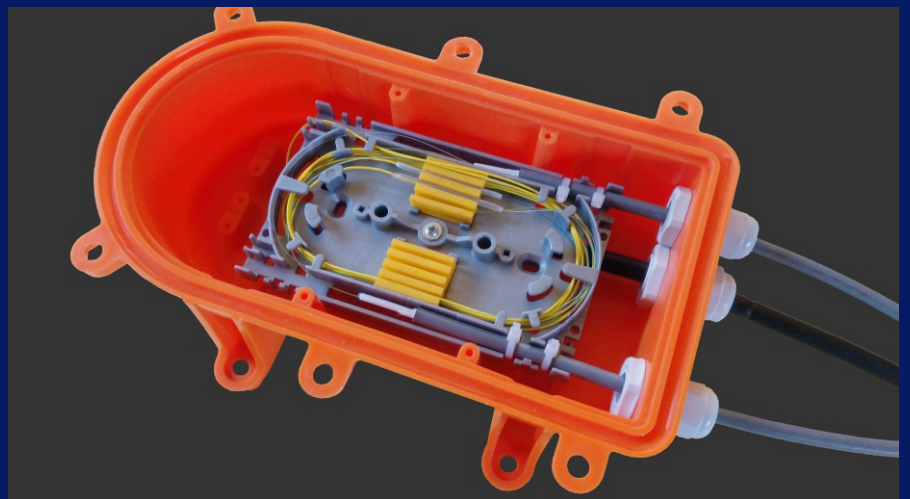
FOS-28 is outdoor fiber optic enclosure for FTTH applications.

Enclosure allows installing of up to 4 splicing cassettes, with totally up to 48 splices.

Optional adaptor plate and pole fixings available

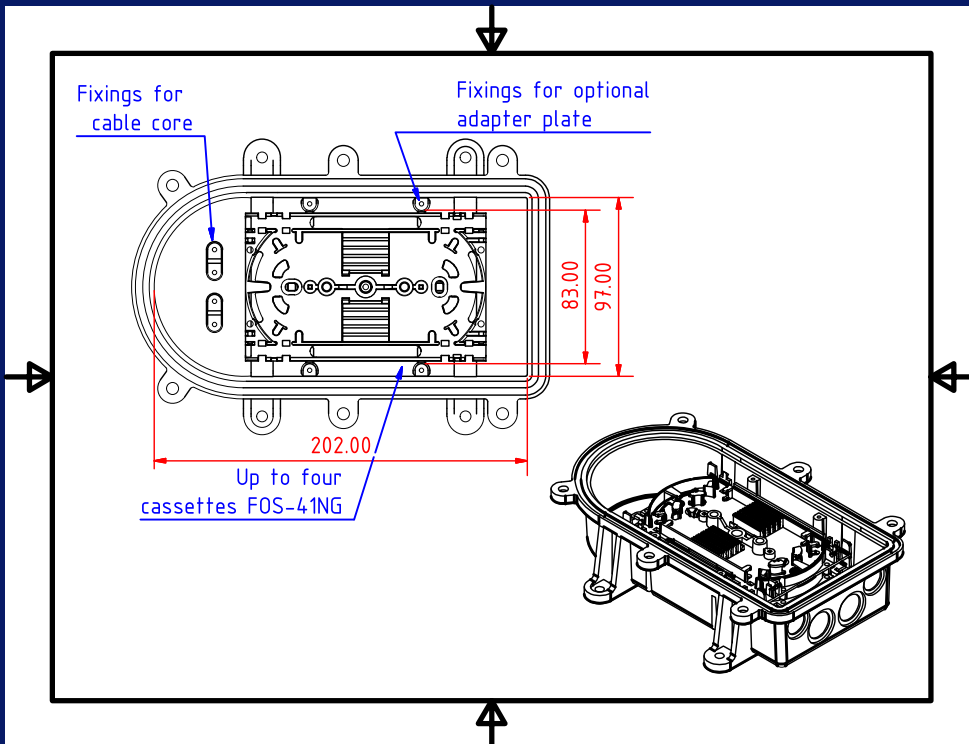
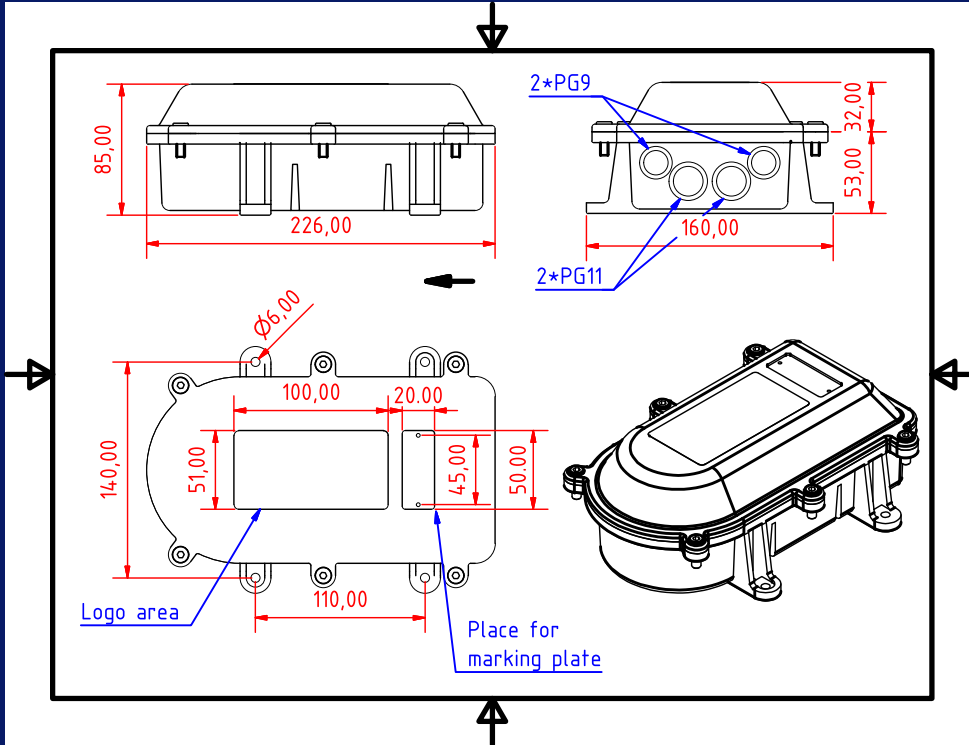
Dimensions : 226*140*85 mm

Made from chemically & UW resistant PVC plastic



ComNet

Producing of communications & data centers equipment since 1997th



Outdoor enclosure FOS-28 ensure installing of up to four upgraded splicing cassettes FOS-41NG

Set includes sealing ring and six AISI screws.

Optional marking plates available

COMNET

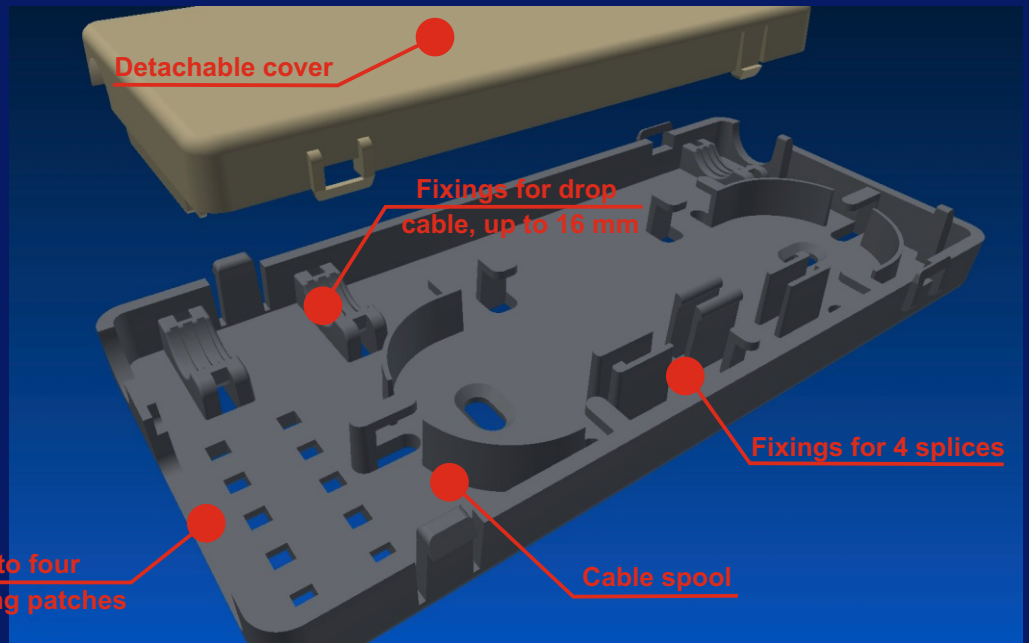
Producing of communications & data centers equipment since 1997th

FOS-34

Enclosure FOS-34 designed for FTTH solutions, using "drop-cable" in apartment buildings.

This enclosure is smaller, than FOS-49 and provides up to 4 outgoing fiber patch cords.

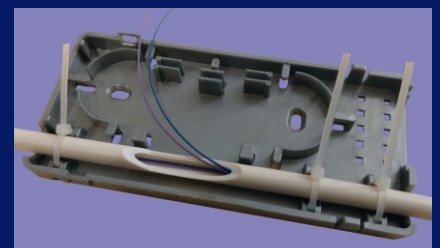
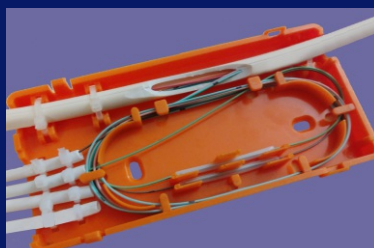
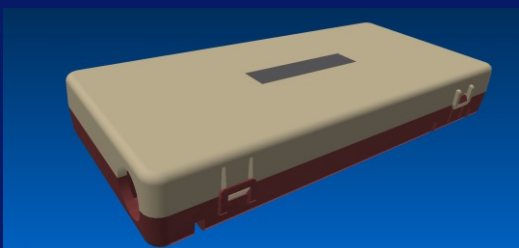
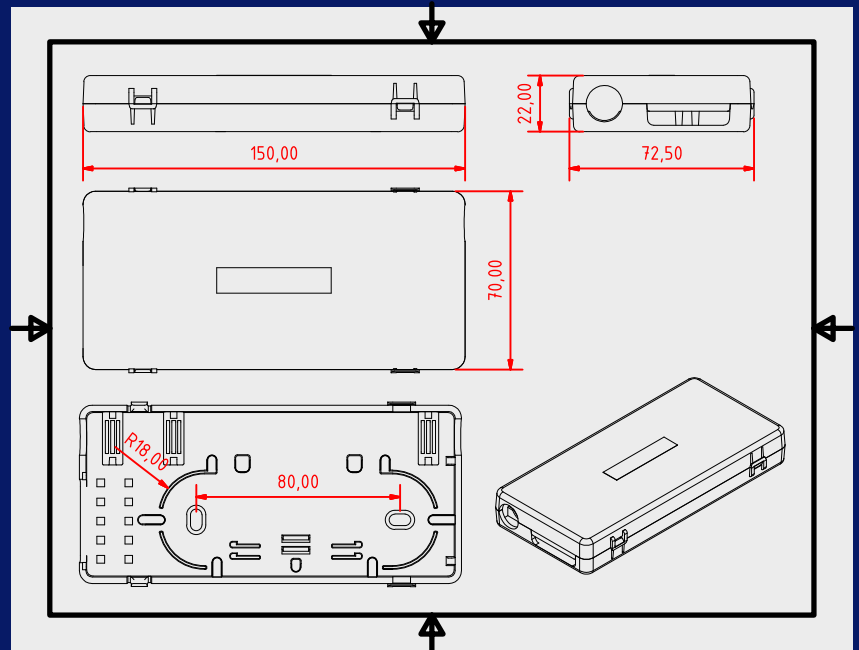
There are fixings for four splices and small cable loop inside.



Label with customer's logo 10*45 mm can be molded on top cover

Made from High-grade polycarbonate (PC)

Dimensions : 150*70*22 mm
Weight : 85 grams



ComNet

Producing of communications & data centers equipment since 1997th

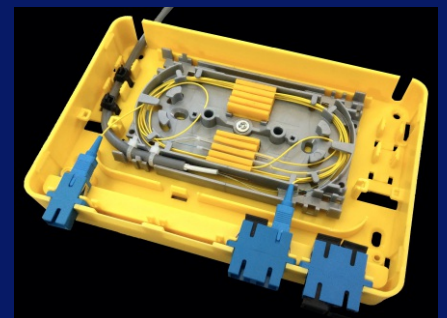
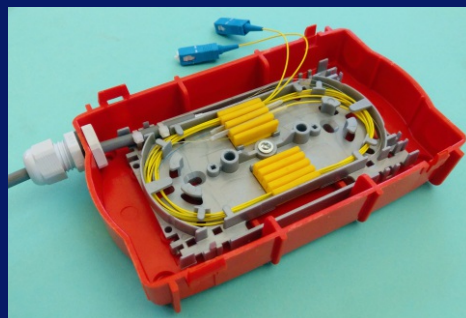
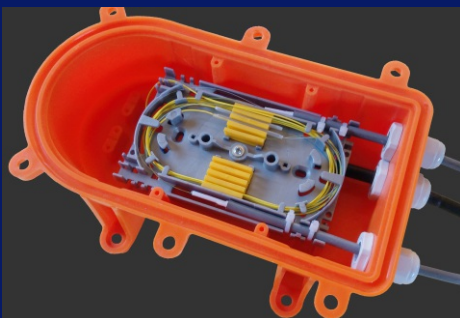
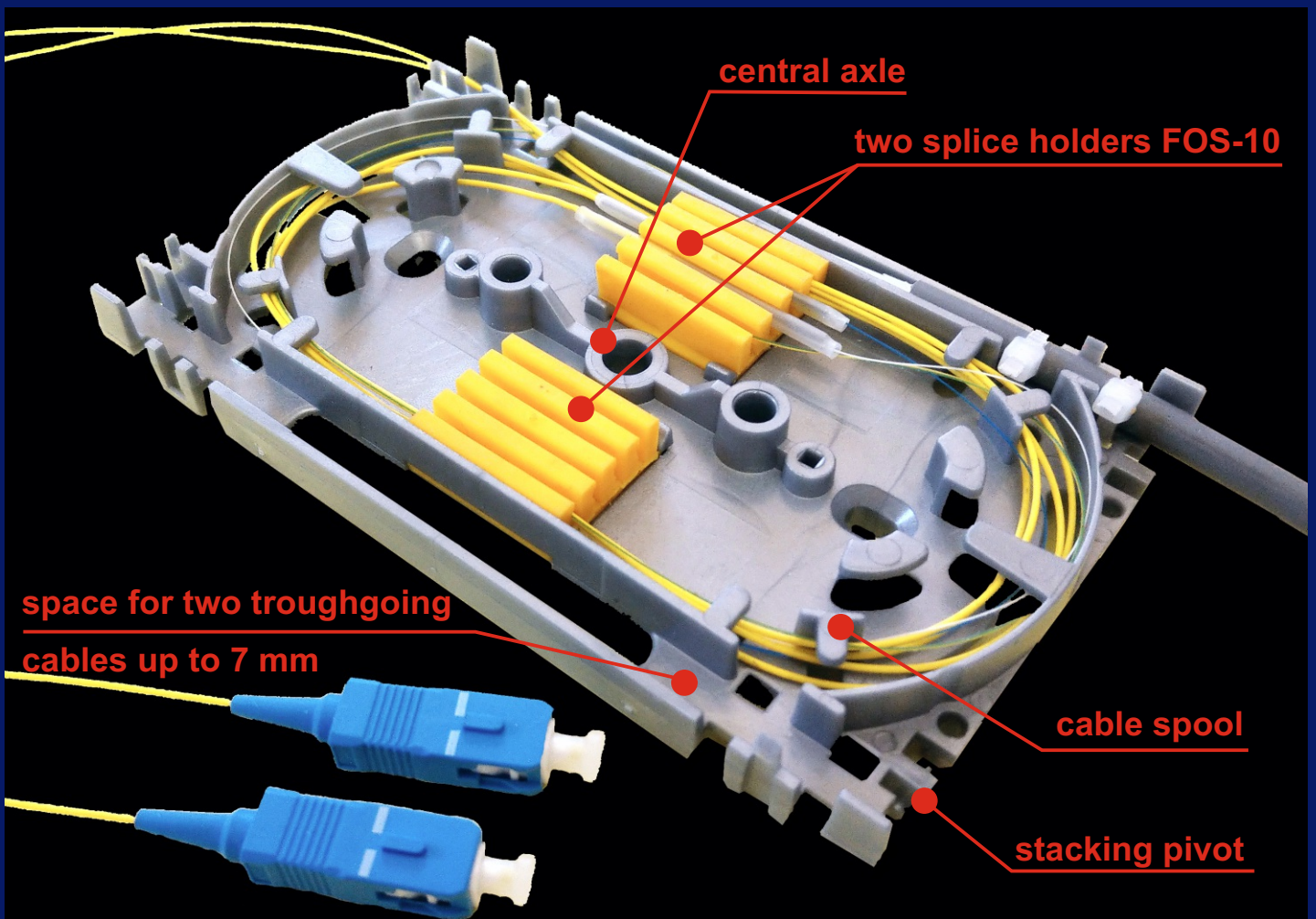
FOS-41NG

New generation very compact fiber optic splicing cassette for up to 16 splices

New generation of very compact fiber optic splicing cassette for up to 16 splices.

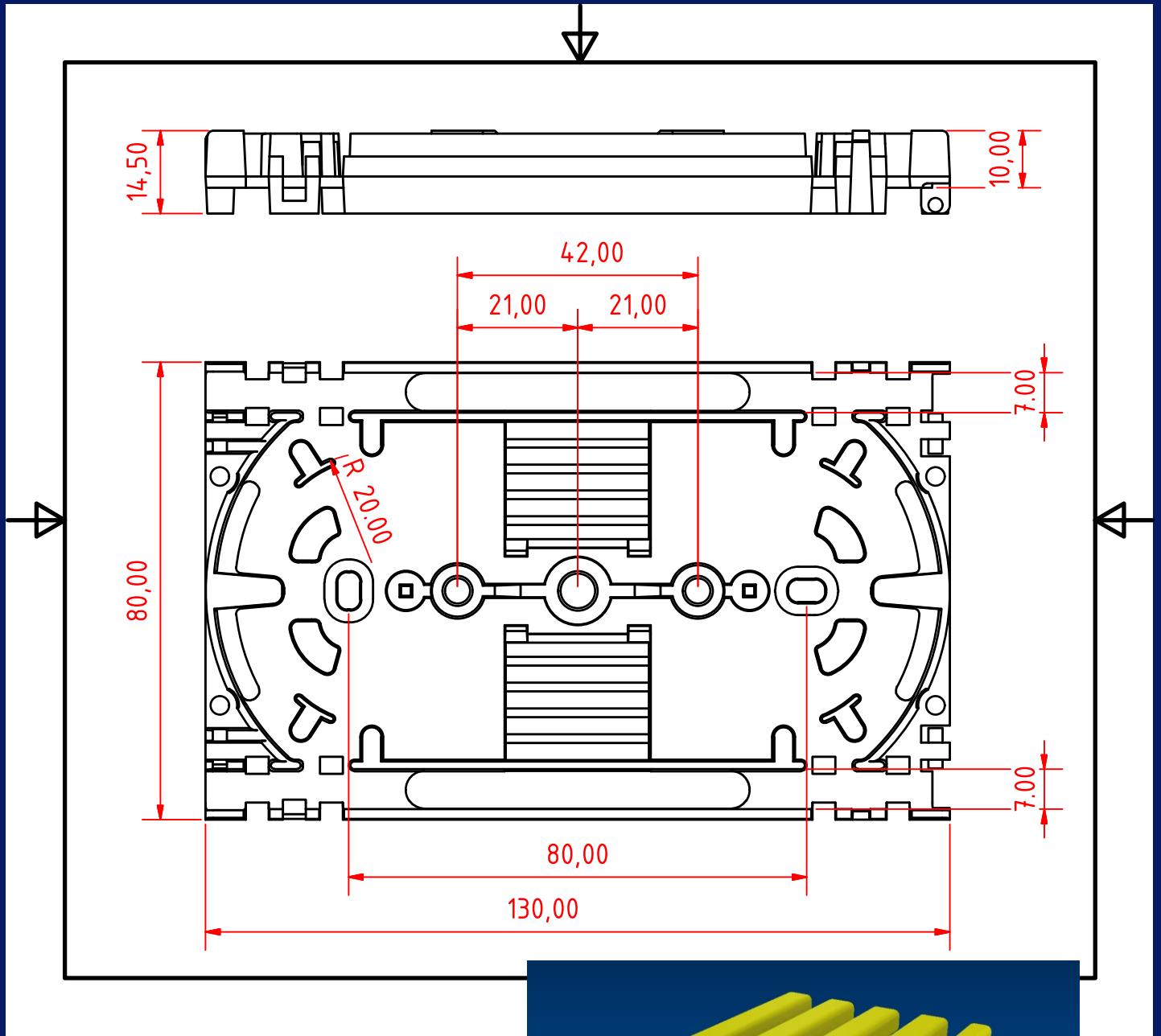
In year 2022nd Our splicing cassette FOS-41 was updated with wo soft, rubberized splice holders.

This new model FOS-41NG fully replaces predecessor and deserve as key component for many other our fiber optic products.



ComNet

Producing of communications & data centers equipment since 1997th



Thanks to two soft splice holders FOS-10, new cassette gently fixes up to 16 splices

Dimensions : only 130*80*10 mm
Weight : about 38 gr

When stacking, each cassette occupies only 6 mm of height

Made from hig-grade PC plastic

contact : www.comnet.lv info@comnet.lv

COMNET

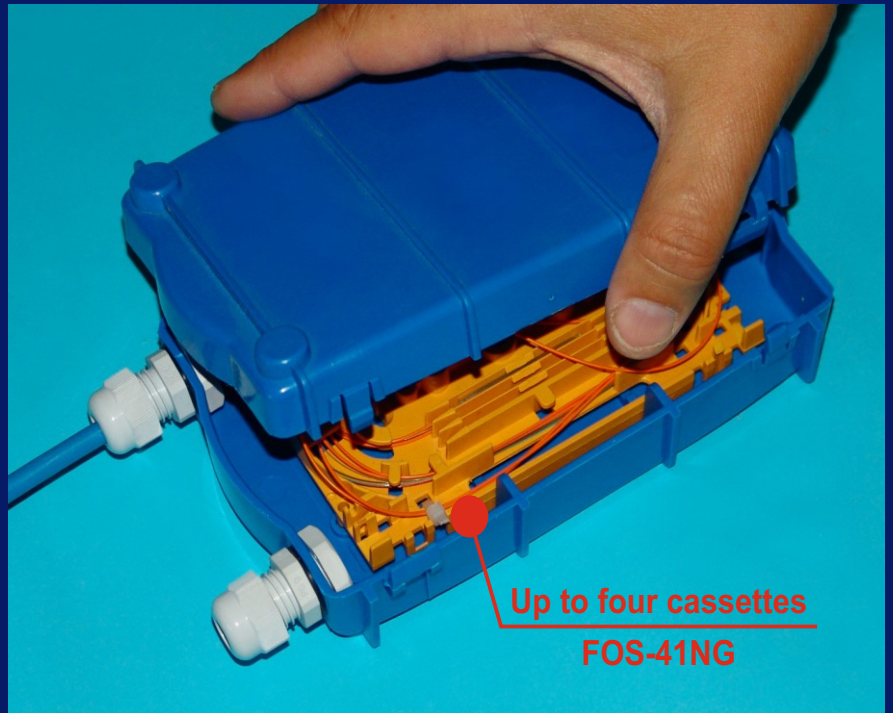
Producing of communications & data centers equipment since 1997th

FOS-42

FOS-42 are series of indoor fiber optic enclosures, provided for optical cables splicing, using cassettes FOS-41NG.

There are five different models with combination of capacity for up to 48 splices.

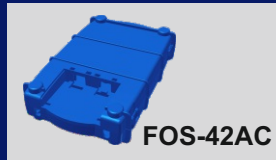
Made from ABS plastic



FOS-42AA



FOS-42AB



FOS-42AC



FOS-42BB



FOS-42BC

Model code	Dimensions	Numbers of cassettes	Numbers of splices	SC-connectors
FOS-42AA	175*111*40	2	24	-
FOS-42AB	175*111*50	3	36	-
FOS-42AC	175*111*40	1	12	2
FOS-42BB	175*111*60	4	48	-
FOS-42BC	175*111*50	2	24	2

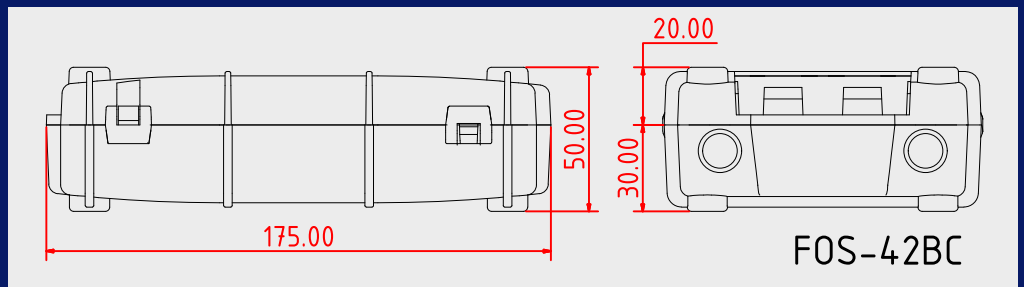
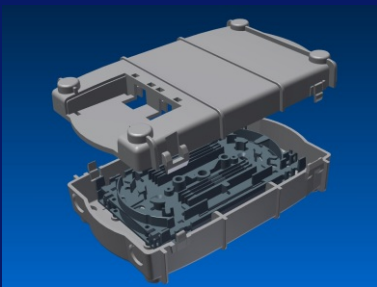
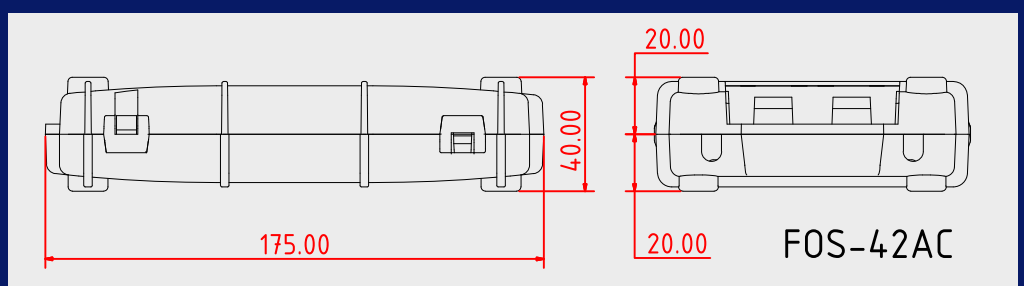
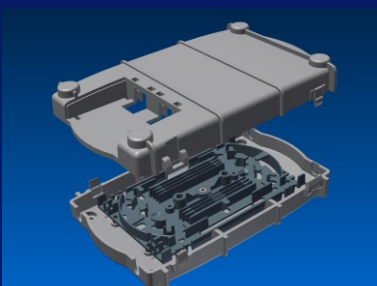
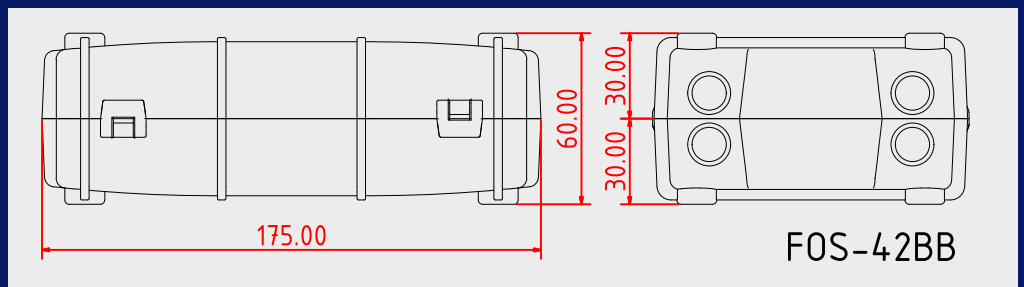
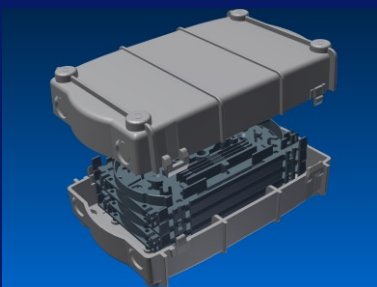
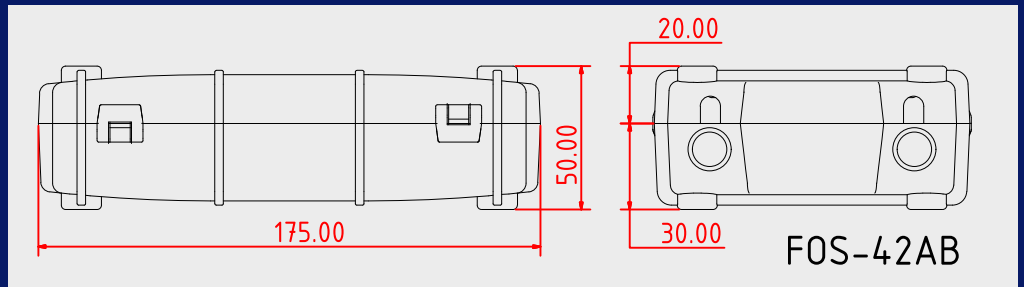
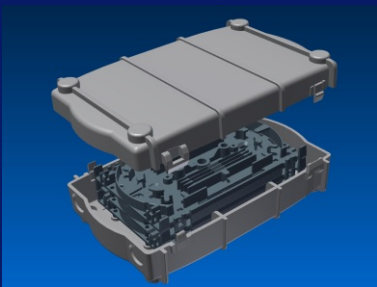
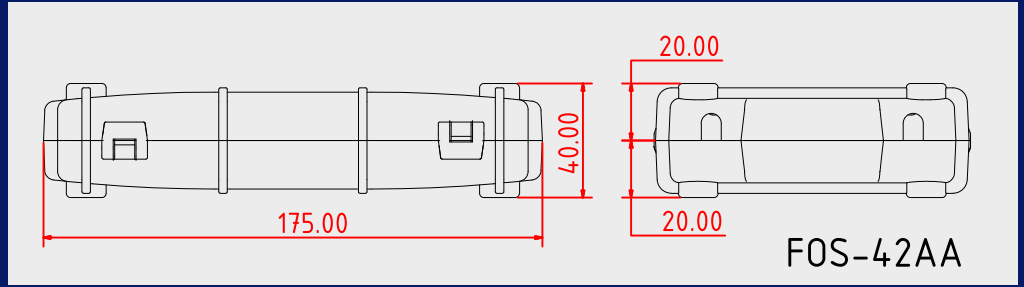
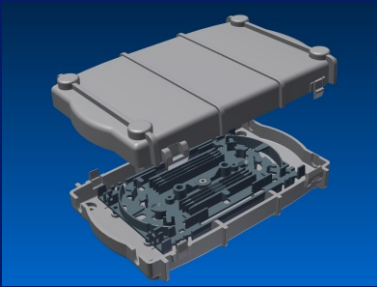
ComNet

Producing of communications & data centers equipment since 1997th

FOS-42

Using three different parts, there is possible to create combination of five different enclosures with various dimensions and capacity.

Two of enclosures provides installing one or two SC or LC adapters on top cover.

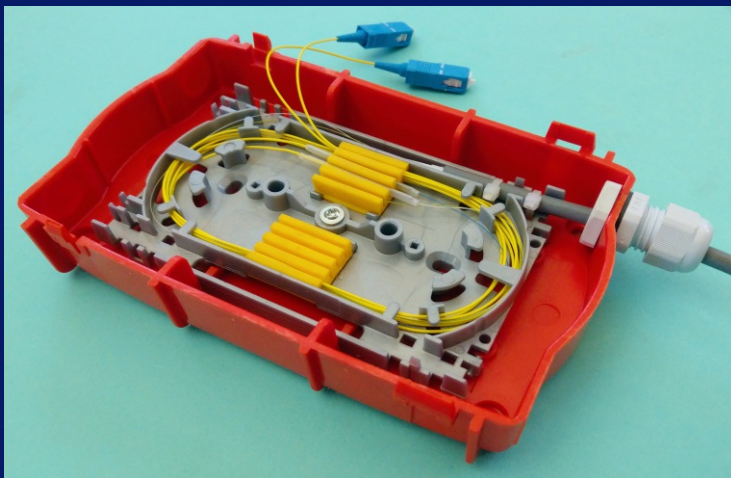
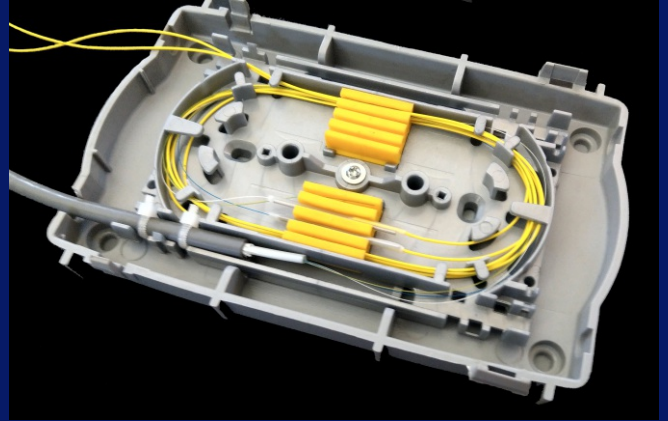


ComNet

Producing of communications & data centers equipment since 1997th

FOS-42

Enclosure FOS-42 is created for installation of splicing cassettes FOS-41NG. Thus You can join up to four fiber optic cables with max 48 splices, using standard heat shrink protectors.



Incoming cables in largest combination «B» can be fixed with PG9 type cable inlets.

Up to four cables can be joined. Max cable diameter is up to 6.5 mm

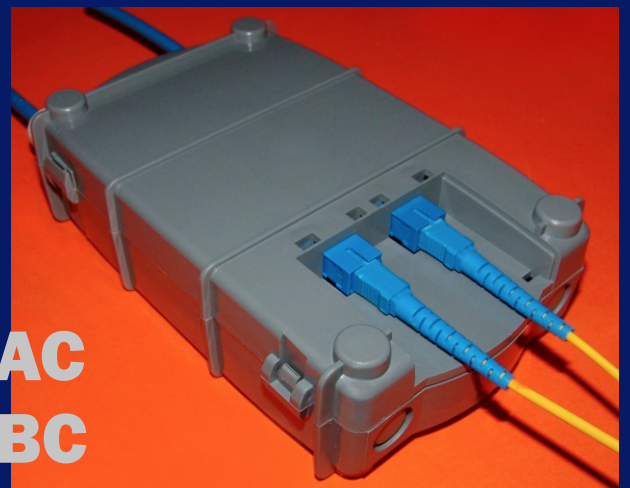


In smallest combination «A», incoming cables can be fixed with plastic strips.



Two SC adapters

FOS-42AC
FOS-42BC



ComNet

Producing of communications & data centers equipment since 1997th

FOS-49

FOS-49 is optical cable distribution box intended for rising cable.

Up to eight outgoing connections possible in this distribution box.

There can be used drop tubes or preterminated patchcords.

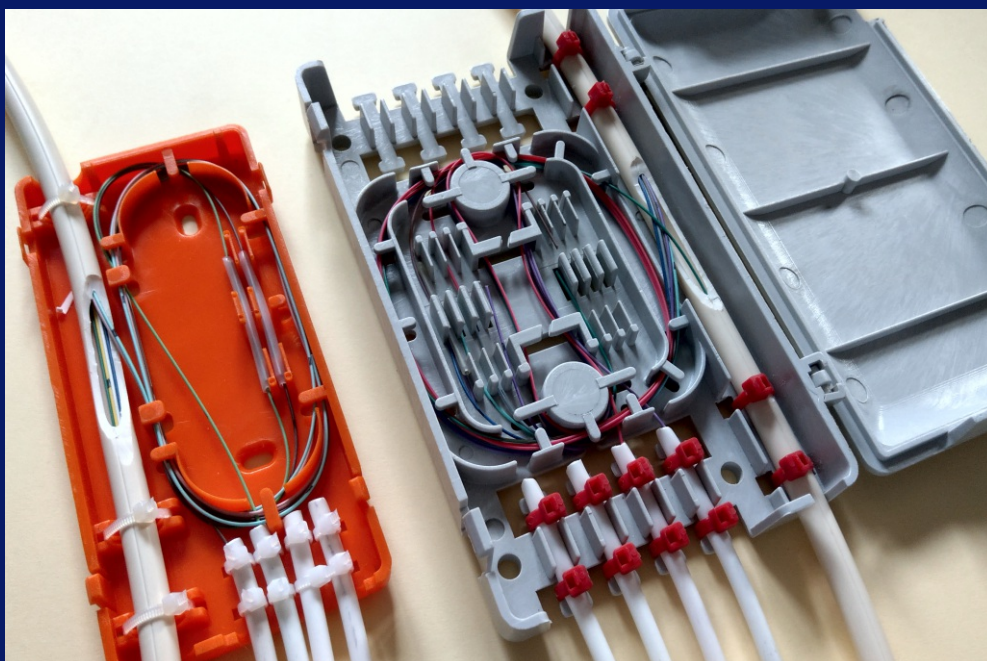
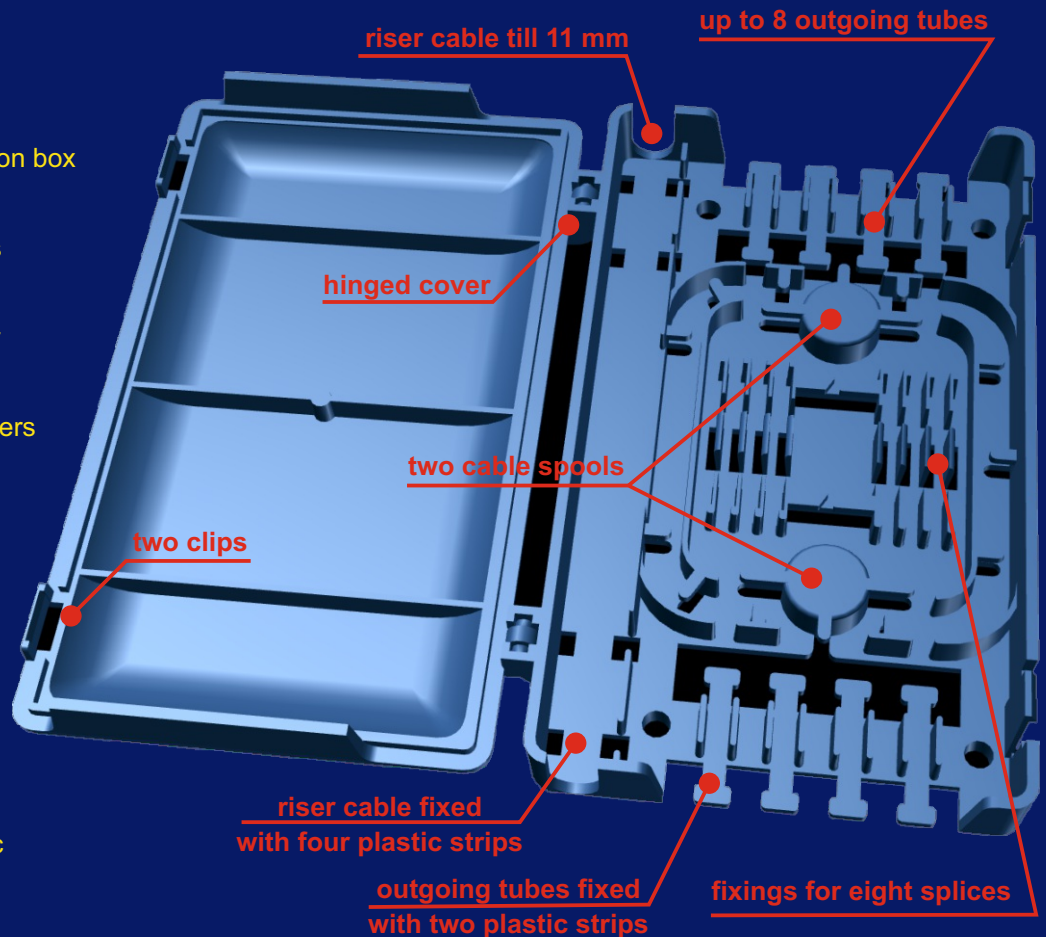
Splicing cassette and splice holders are integrated in this enclosure.

Input and output cables are fixed with cable strips.

This box is securely closed with hinged plastic cover.

Optional adapter holder is available.

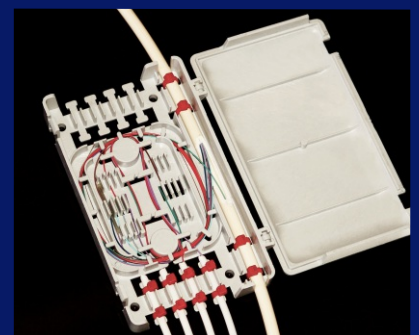
Dimensions : 182*107*35 mm
Made from hig-grade ABS plastic



Our company produces two products for vertical drop cable.

FOS-34 is a smallest solution, provided for four outgoing cables.

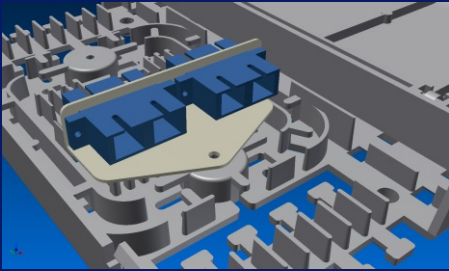
FOS-49 is largest enclosure, provided for up to eight outgoing cables.



COMNET

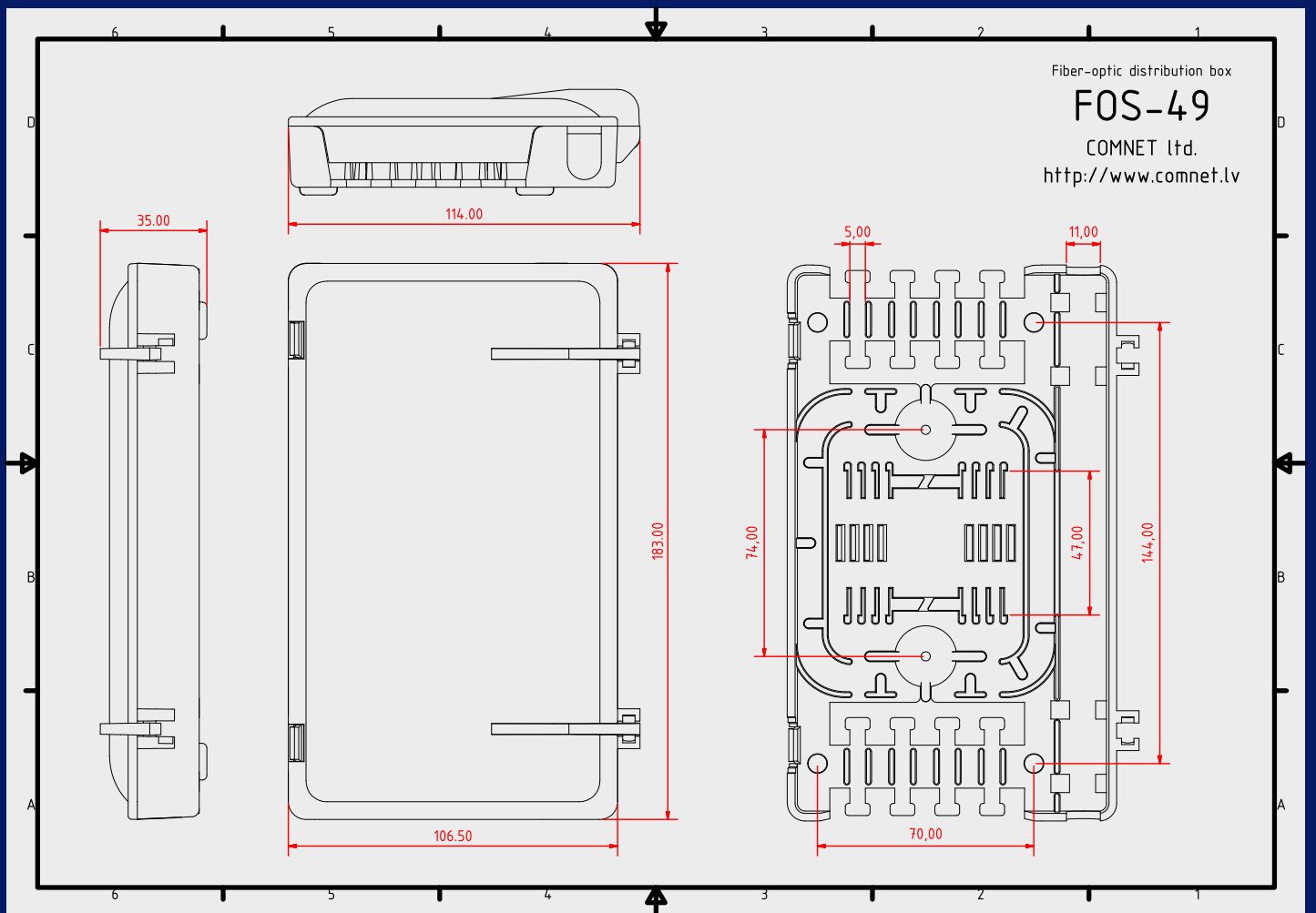
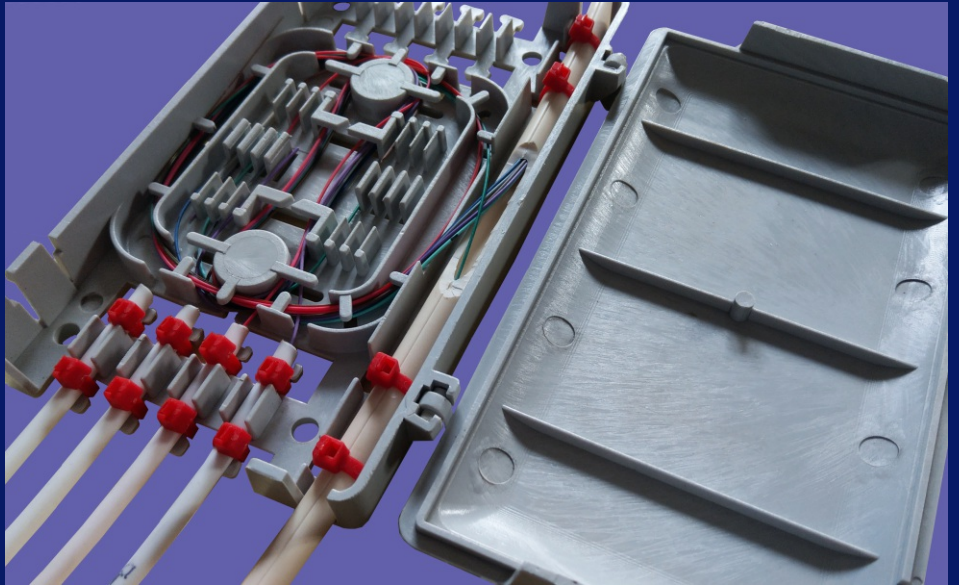
Producing of communications & data centers equipment since 1997th

FOS-49



Special adapter plate can be installed inside FOS-49.

Typically, this plate holds two Duplex SC adapters



ComNet

Producing of communications & data centers equipment since 1997th

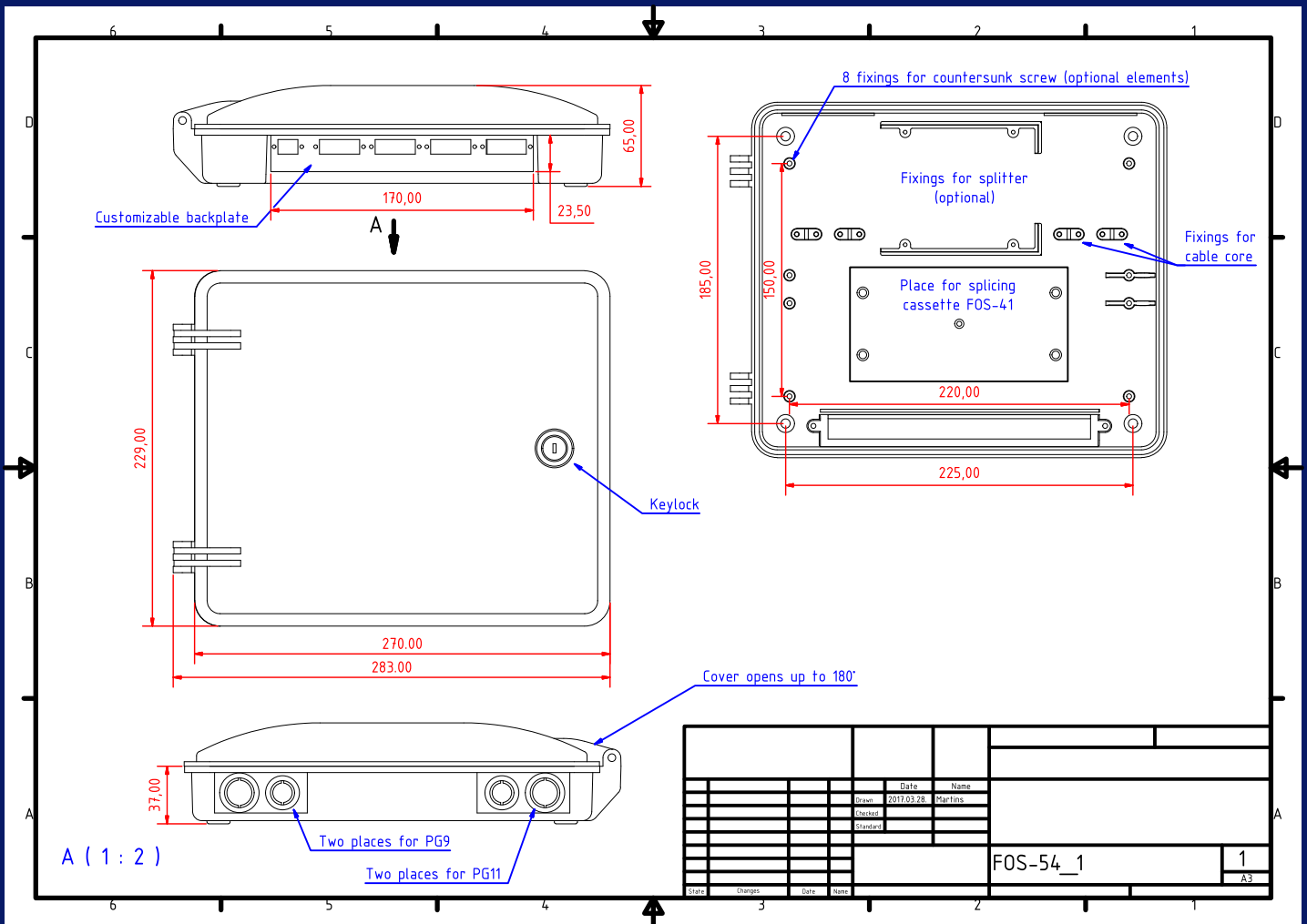
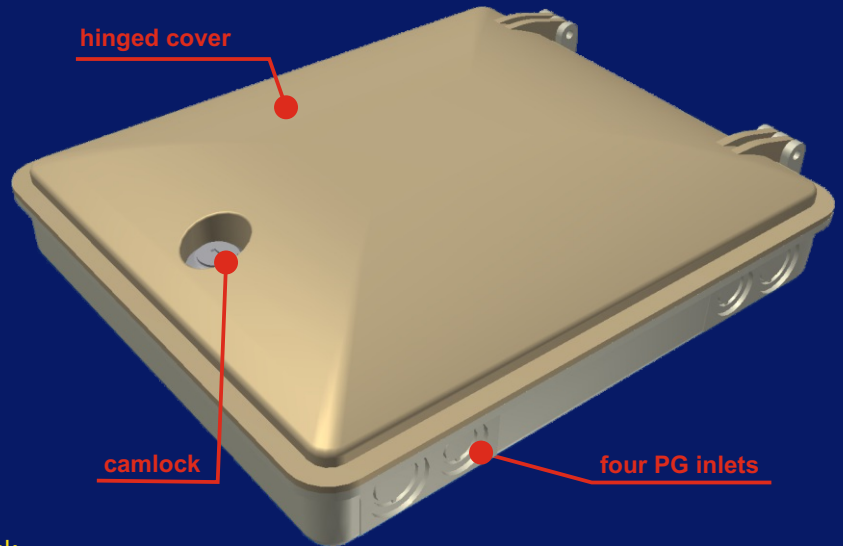
FOS-54

FOS-54 is our new IP66 standard highly customizable enclosure, intended for different solutions, like fiber-optic networking, low-current applications, video surveillance, fire & security alarming, industrial automatic and many other solutions.

This is ideal solution for indor & outdoor power supply protection, media converters or various communication modules.

As an option, is possible to order customized backplate or mounting plate with DIN rails.

This box is securely closed with hinged plastic cover, sealed with o-ring and secured with camlock.

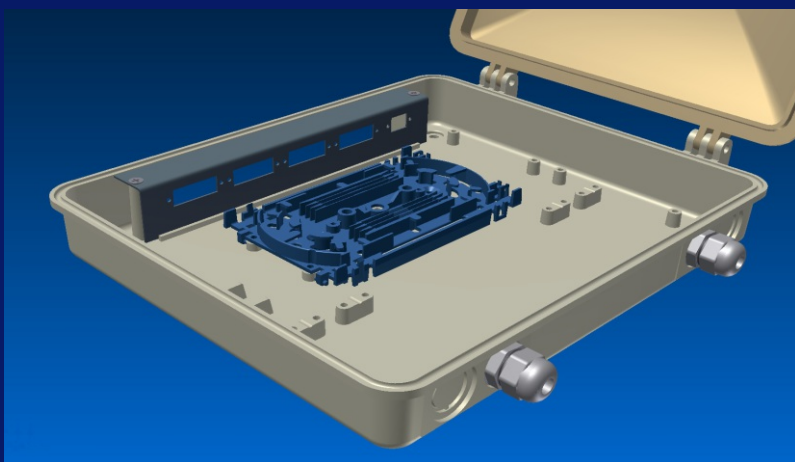
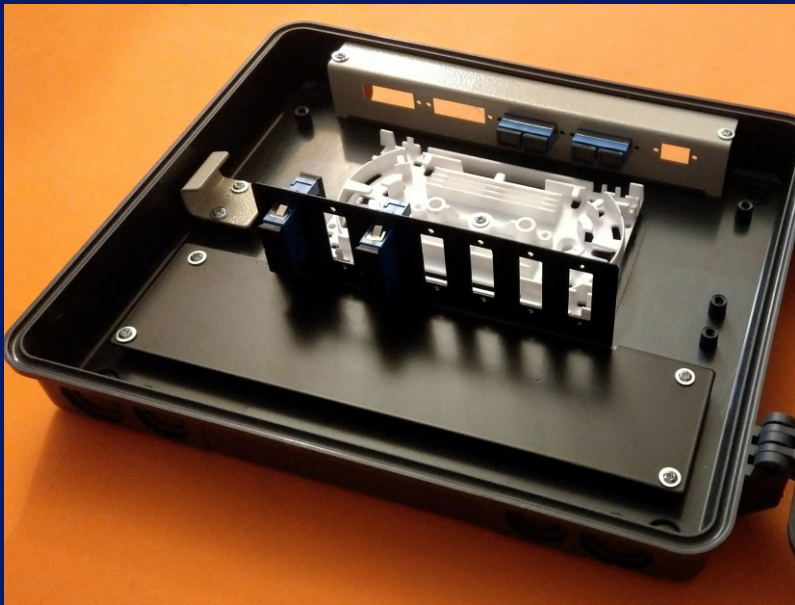
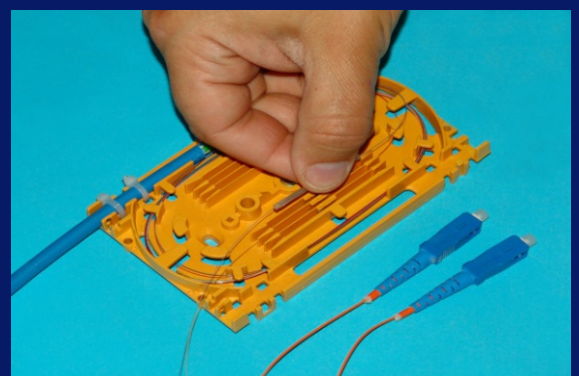
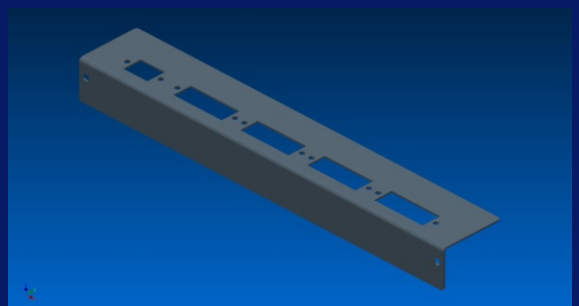
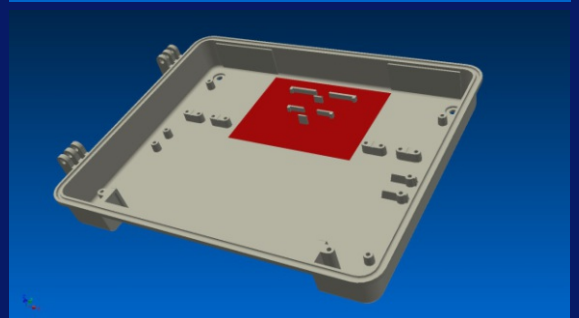
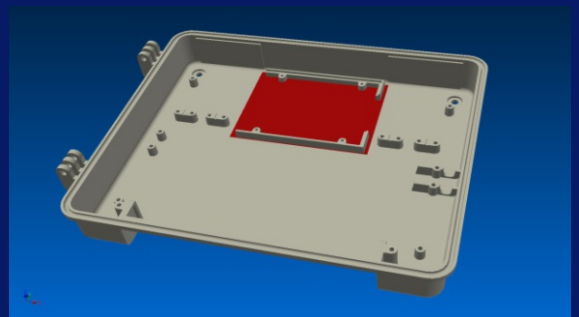
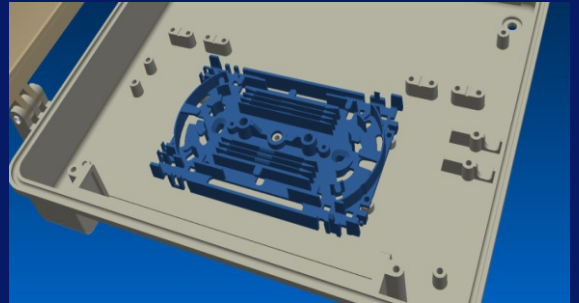


ComNet

Producing of communications & data centers equipment since 1997th

FOS-54

If using FOS-54 as fiber-optic enclosure, You can install here splicing cassette FOS-41, backplate with various fiber optic adapters and internal switching panel. Also, here is options with two types of fixings for splitters.



Incoming fiber optic cables can be fixed with cable inlets PG9 and PG11. Special fixings for cable core available.

Backplate and switching plate can be cut for any types of fiber optic adapters, like SC, DuplexSC, LC, FC and other types

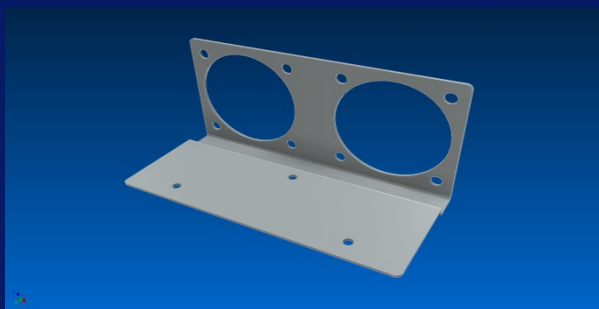
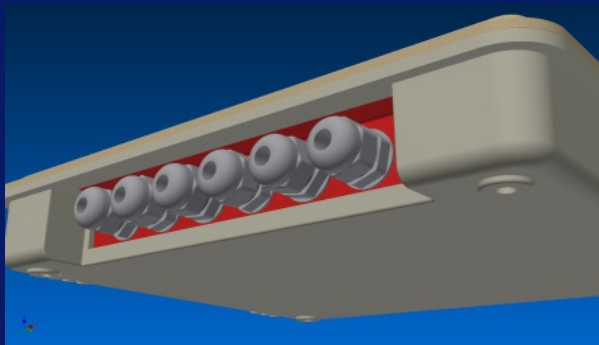
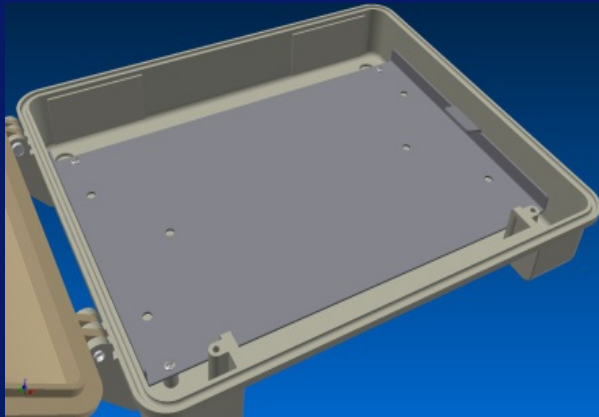
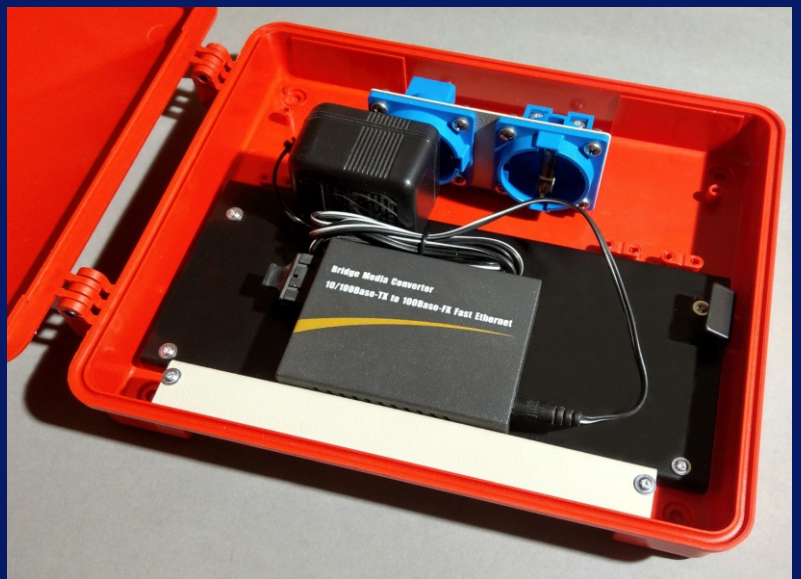
ComNet

Producing of communications & data centers equipment since 1997th

FOS-54

FOS-54 can be used for protecting of any types of active network components, like switches, HUBs or media converters. In this case We recommend using one of two types of base plates. You can order special fixings for Your own components.

Also, here is an option to install one or two SHUKO type sockets for power adapters.



If You are looking for convenient enclosure, for industrial electronics or low-power circuits, FOS-54 may be Your next choice.

Four cable inlets, base plate with 15 mm or 35 mm DIN rails and customizable backplate solve Your tasks easy !

ComNet

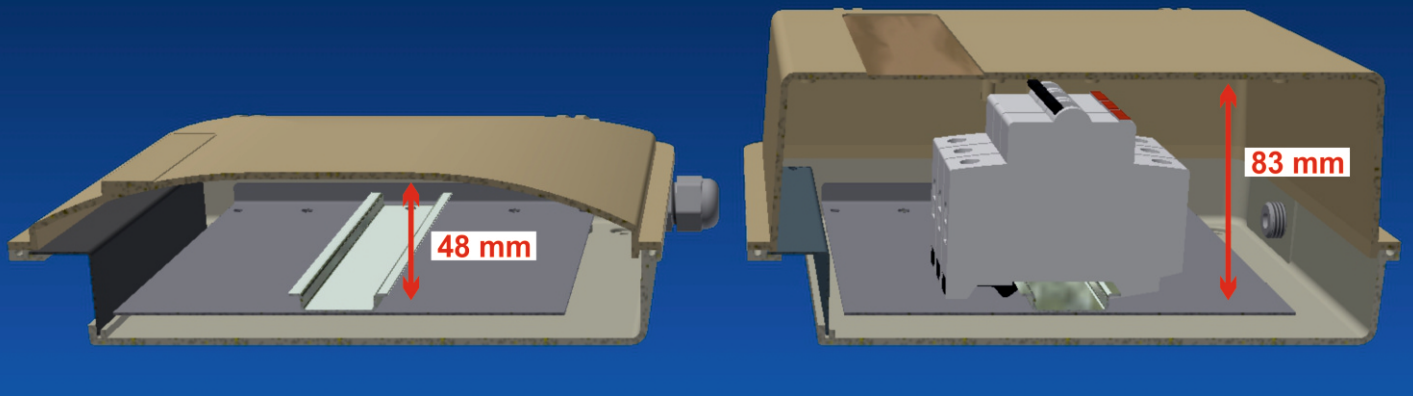
Producing of communications & data centers equipment since 1997th

FOS-55

FOS-55 based on Our previous medium – size enclosure FOS-54, but thanks to enlarged cover internal volume has significantly increased.

This enclosure is highly customizable and various inside components may be added, depending on client's solutions.

FOS-55 can be used for different purposes, like fiber-optic networking, low-current applications, video surveillance, fire & security alarming, industrial automatic and various other solutions.



Due to the depth of the cover has been increased, it is possible to install full size DIN-mounted components, like electric fuses, switches, relays and other electro automatics components.

ComNet

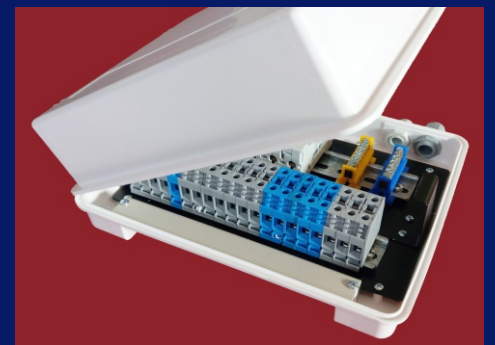
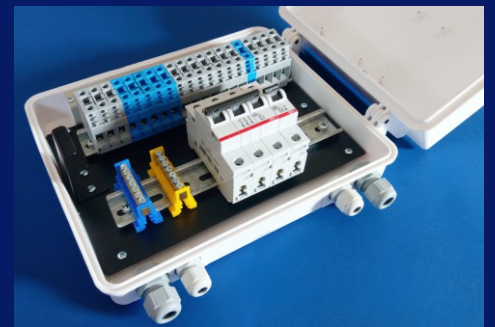
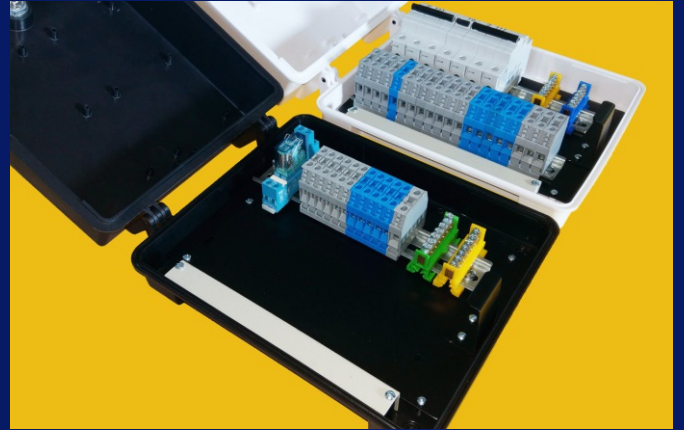
Producing of communications & data centers equipment since 1997th

FOS-55

This is ideal solution for indoor & outdoor power supply protection, media converters or various communication modules. As an option, is possible to order customized backplate or mounting plate with DIN rails.

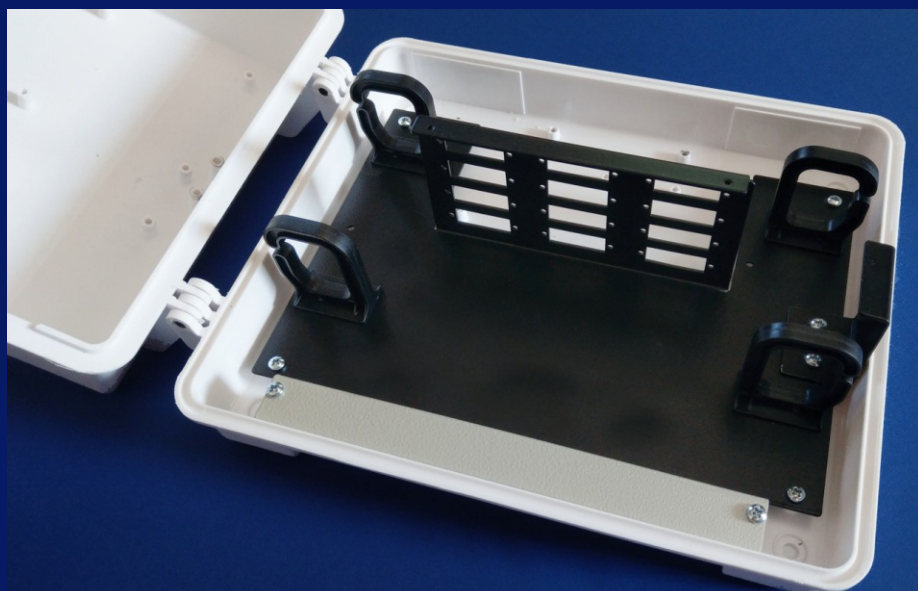
This box is securely closed with hinged plastic cover, sealed with o-ring and secured with camlock.

Dimensions : 283*299*100 mm
Made from hig-grade ABS plastic



Like previous model, FOS-54, this enclosure is highly customizable and can be adapted to Your needs.

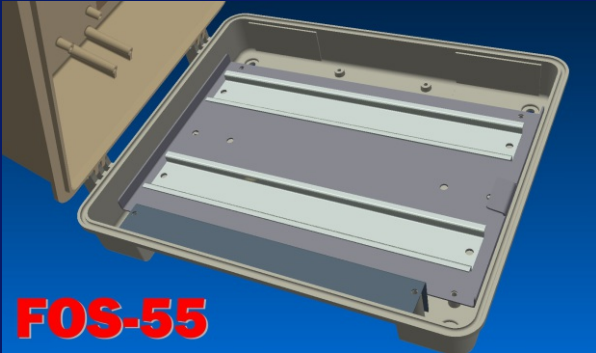
Just send Your ideas to us and we will offer a best solution especially for You !



ComNet

Producing of communications & data centers equipment since 1997th

FOS-55

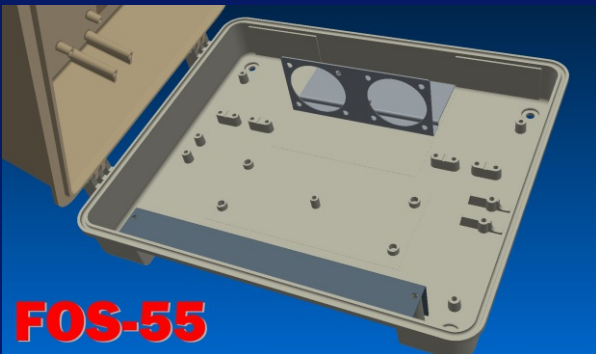


FOS-55

As basic versions, backplate with one or two 35 mm DIN rails are available.

For low-current applications a 15 mm DIN rails can be installed.

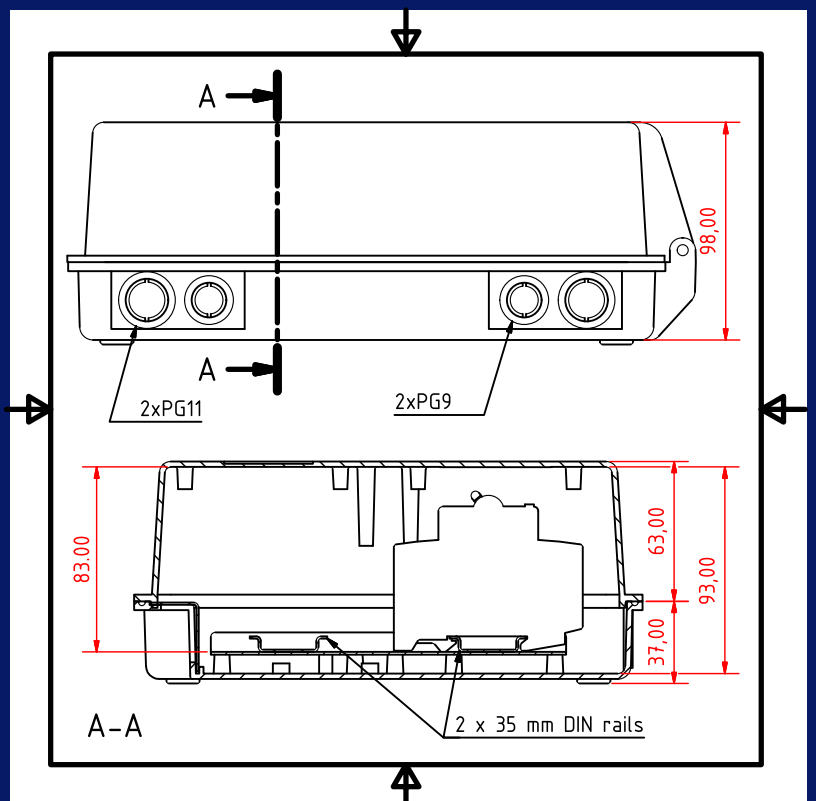
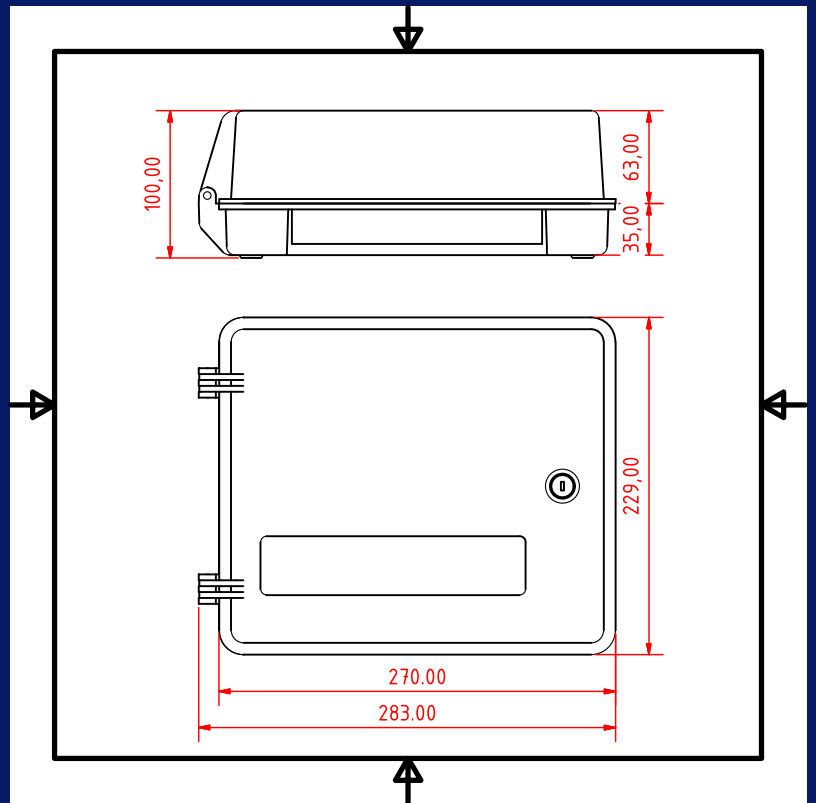
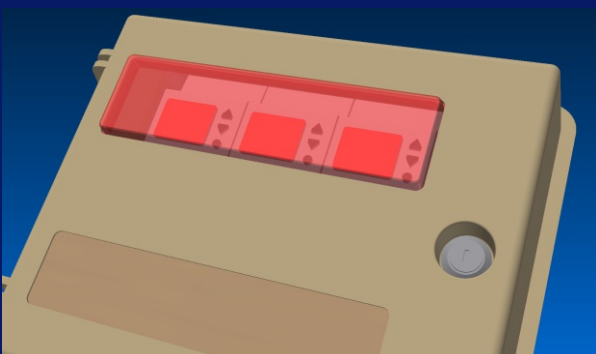
Also, here is available adapter for two SHUKO type power sockets.



FOS-55

A version with a transparent panel will be released in the nearest future.

That allows You to install electricity counters and another informative elements on the DIN rail.



ComNet

Producing of communications & data centers equipment since 1997th

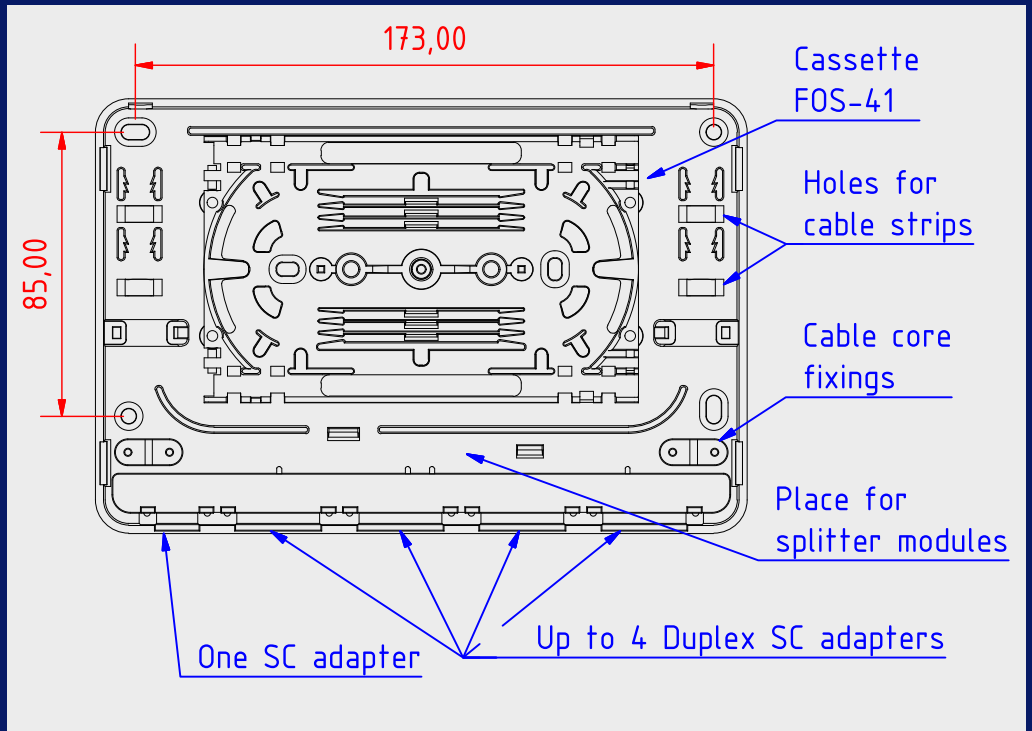
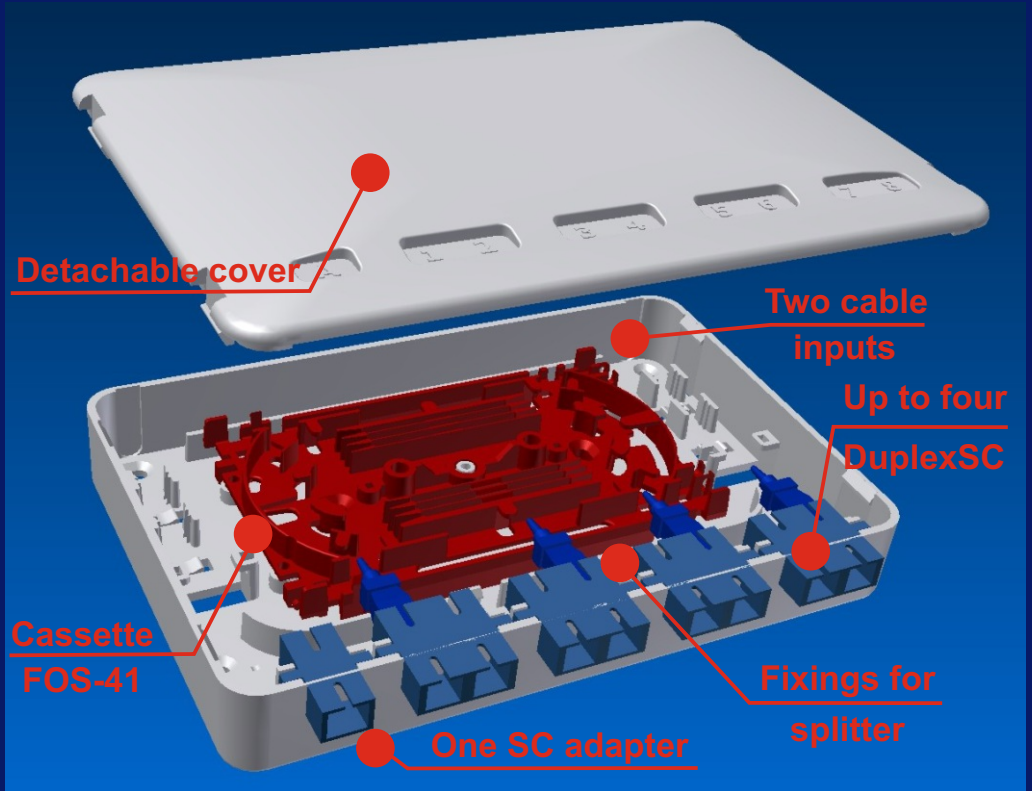
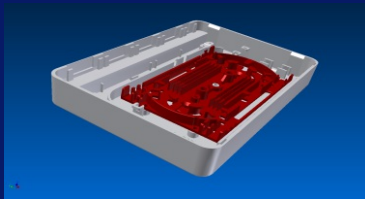
FOS-56

FOS-56 is universal multi-purpose indoor fiber optic enclosure for FTTH applications.

It can be used for local FO distribution, cable splicing or FO splitter installations.

There is possible to set up to four DuplexSC adapters and one SC adapter

Dimensions : 195*130*37 mm
Made from ABS plastic

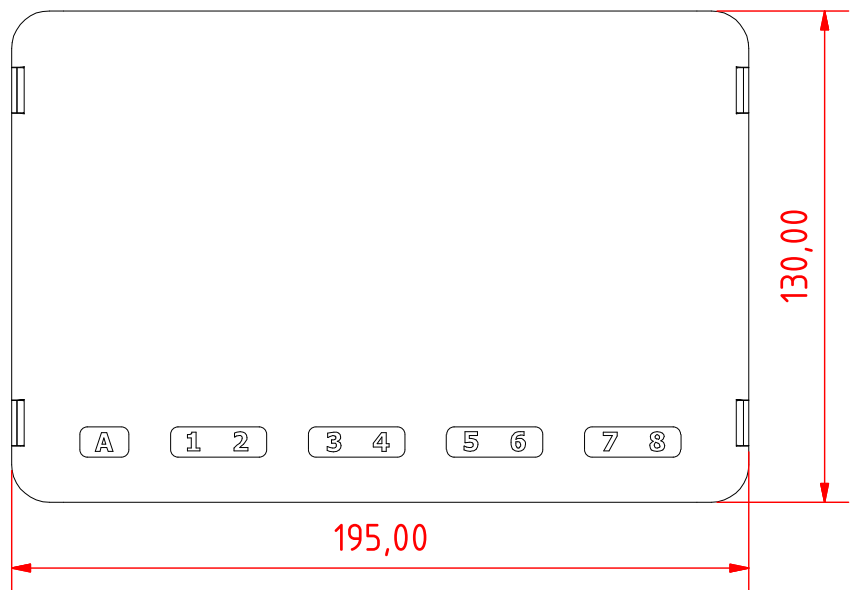
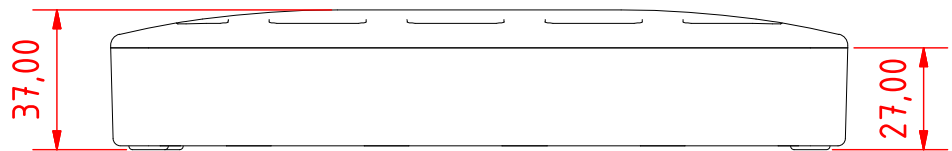
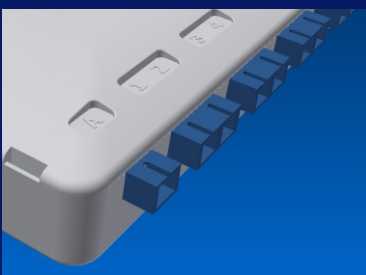
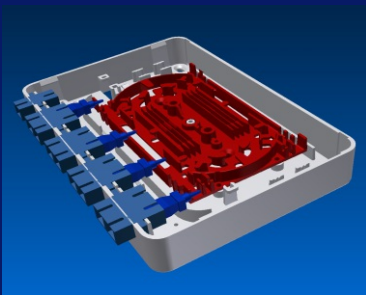
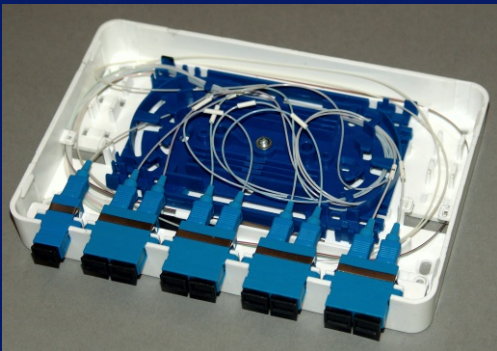
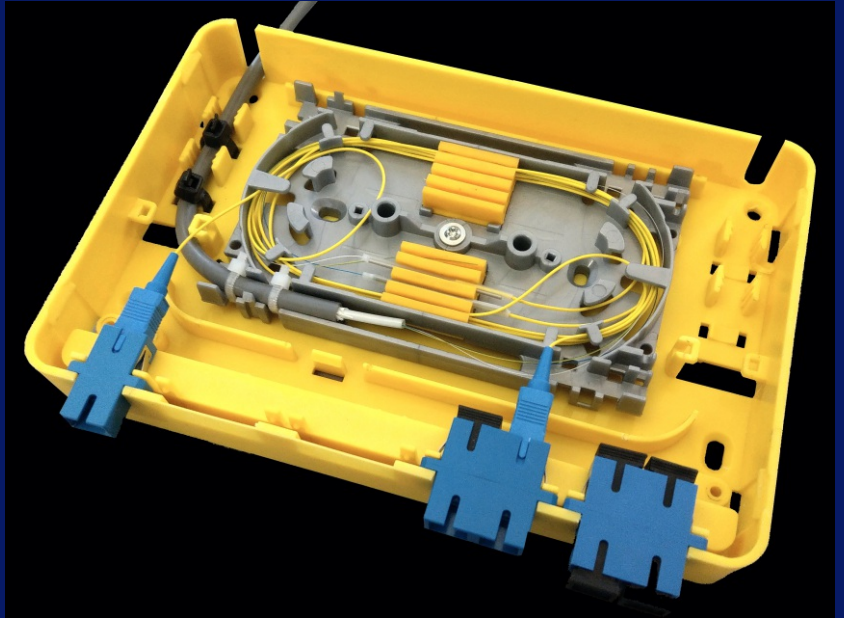


ComNet

Producing of communications & data centers equipment since 1997th

FOS-56

FOS-56 intended for installing one FOS-41NG splicing cassette inside, thus up to 16 splices can be made here.
Enclosure FOS-56 provides a fixings for fiber optic splitter too.

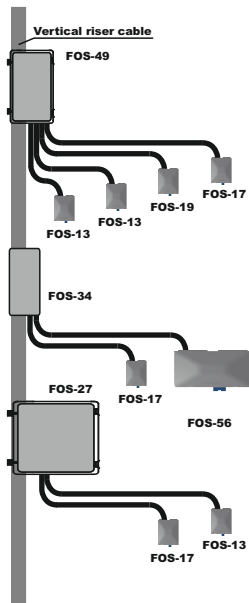


COMNET

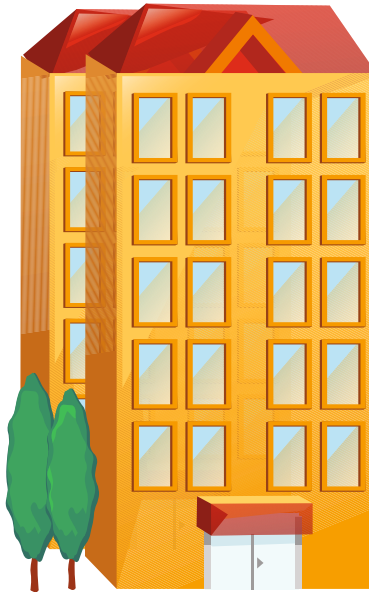
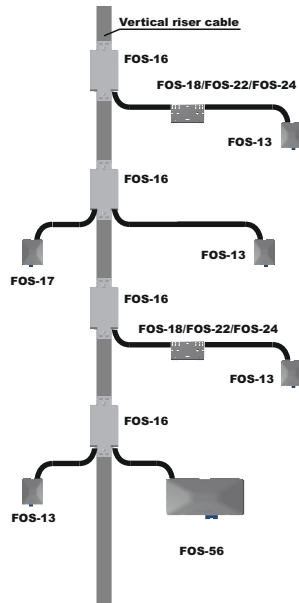
Producing of communications & data centers equipment since 1997th

FTTH installation in apartment building

Fusion splices



Mechanical splices



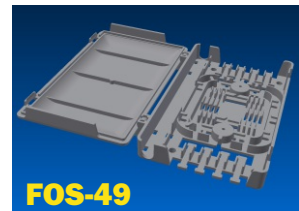
FOS-16
Fiber-optic breakout box for vertical riser cable



FOS-13/FOS-19
Wall-mounting fiber-optic termination box with space for one SC adapter



FOS-18/FOS-24
Mechanical splice protection enclosure with additional cable spool



FOS-49
Riser cable distribution box with splice holders, up to 8 outgoing tubes or patchcords

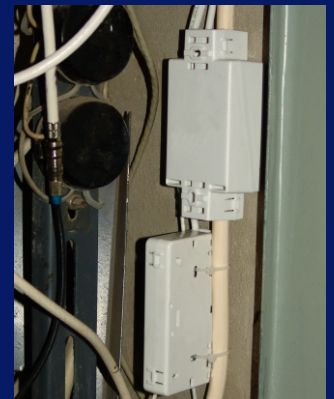
Usually FTTH technologies are being applied in apartment buildings. In that case, the most widely the riser-cables are used.

Our company manufacturing equipment for apartment building for more than 15 years and we can offer solutions for two approaches - using mechanical splices or using fusion splices.

In first approach we recommending solution, including breakout box FOS-16 and cable extending, using FOS-18 / FOS-24 products.

Otherwise FOS-49 or FOS-34 can be used, if You are preferring fusion splicing. In addition, we will offer another product in the near future - more complicated product FOS-27.




To connect the fiber to the end user, wall mounted sockets FOS-13 / FOS-17 / FOS-19 can be used. If You need more options, You can use FOS-56 for final connection.



ComNet

Producing of communications & data centers equipment since 1997th

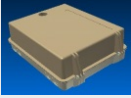













Recommended applications

Product	Description	IP class	Large office building	Small office	Apartment building	Urban cottage	Country cottage	Outdoor networks
 FOS-13 FOS-19	Fiber optic wall mount sockets	IP30	✓	✓	✓	✓	✓	
 FOS-16	Fiber optic breakout box for vertical riser cable distribution	IP30			✓			
 FOS-17	Fiber optic wall mount socket	IP30	✓	✓	✓	✓	✓	
 FOS-18	Mechanical splice protection enclosure with additional cable spool	IP30			✓			
 FOB-21	Fiber optic patch panel, 19-inch	IP40	✓	✓				
 FOS-22	Universal splicing enclosure for both mechanical and fusion splices	IP30	✓	✓	✓	✓	✓	
 FOS-23	Mechanical splice protection enclosure	IP30	✓	✓	✓	✓		
 FOS-24	Universal splicing enclosure for both mechanical and fusion splices	IP30	✓	✓	✓	✓	✓	
 FOS-28	Outdoor fiber optic enclosure	IP67						✓
 FOS-34	Fiber optic distribution enclosure for vertical riser cable	IP30			✓			
 FOS-41NG	Splicing cassette for 12 fusions	-	✓	✓	✓	✓	✓	✓
 FOS-42	Five models of small indoor enclosures for fiber optic fusion	IP40	✓	✓	✓	✓	✓	
 FOS-49	Fiber optic distribution enclosure for vertical riser cable	IP30			✓			
 FOS-54	Universal enclosure for fiber optic, video surveillance, fire & security alarm	IP64	✓	✓	✓	✓	✓	✓

ComNet

Producing of communications & data centers equipment since 1997th

Recommended applications

Product	Description	IP class	Large office building	Small office	Apartment building	Urban cottage	Country cottage	Outdoor networks
	FOS-55 Universal enclosure for fiber optic, video surveillance, fire & security alarm with enlarged cover	IP64						
	FOS-56 Universal small size fiber optic distribution enclosure	IP30						

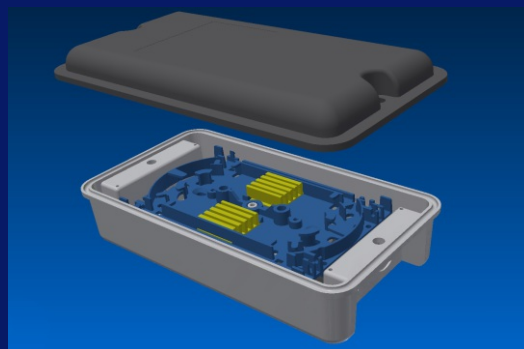
ComNet

Producing of communications & data centers equipment since 1997th

Coming in 2023th !

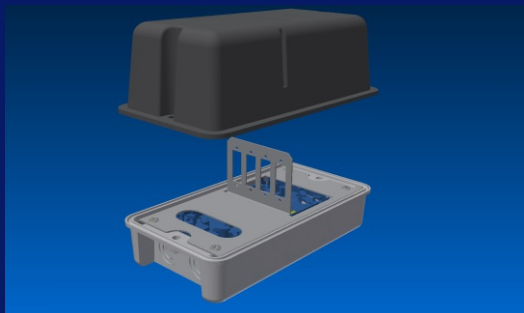
FOS-43

Outdoor enclosure FOS-43 provided for creating small capacity outdoor networks. There can be installed one splicing cassette FOS-41NG, so up to 16 junctions can be made. This enclosure has four ports for PG9 cable inlets. Thanks to rubber o-ring, this enclosure meets to IP67 protection class. Optional stainless steel pole bracket available.



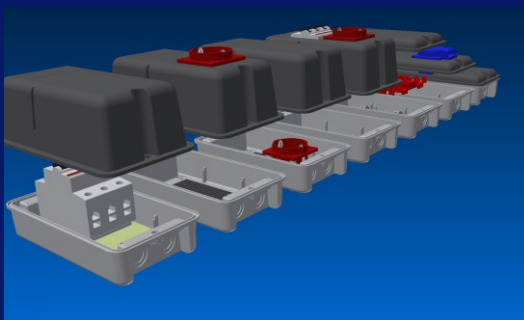
FOS-44

FOS-44 is outdoor fiber optic enclosure with protection class IP67. Unlike FOS-43, there is an internal switchboard for four DuplexSC adapters.



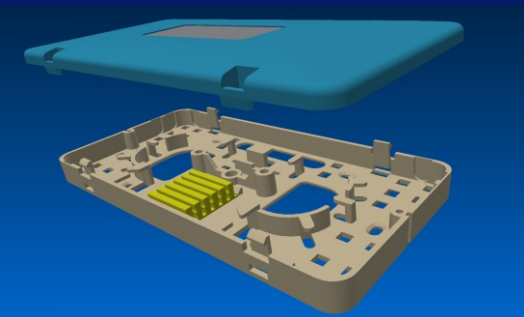
PS-014

PS-014 opens a wide serie of outdoor enclosures for various purposes. This product line will include enclosures for power adapters, electrical mounting, circuit breakers, There will be available fixings on poles too. Protection class up to IP67.



FOS-38

FOS-38 opens a new serie of compact indoor fiber optic enclosures. Thoses enclosures designed for mounting on standard electric cell boxes, like fiber optic socket FOS-17. There will be many accessories in this series, like switchboxes and wall mounted sockets.



ComNet

Producing of communications & data centers equipment since 1997th

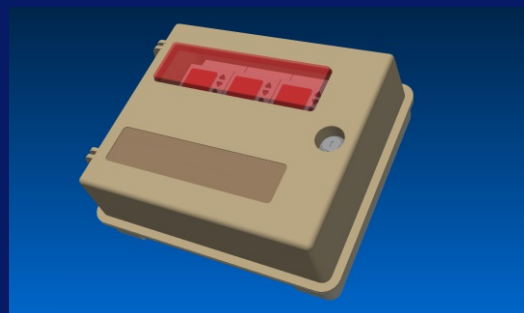
Coming in 2023th !

FOS-53

Enclosure FOS-53 created on FOS-55 base and provided for installing electric counters and other information elements.

A large transparent or tinted protective glass ensures the visibility of various information equipment, mounted on DIN rail

Thanks to rubber o-ring, this enclosure meets to IP64 protection class



PS-20

PS-20 provided for installing electric counters in outdoor conditions. Transparent or tinted protective glass ensures the visibility of various information equipment, mounted on DIN rail
This enclosure has IP67 protection class



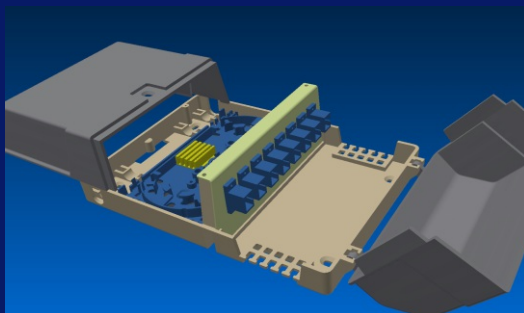
PS-19

PS-19 provided for small power distribution points, supplied with electric counter and / or circuit breakers. There is 35 mm DIN rail, provided for mounting up to four rail-mounted elements.
Up to two SHUKO power sockets can be installed on mounting plate inside.



FOS-27

FOS-27 designed for vertical drop cable systems. Unlike the simplest enclosures FOS-34 and FOS-49, this distribution box is more complicated, consists from two compartments and has a distribution switchboard inside. There can be installed a mounting plate for up to eight SC or DuplexSC adapters.
This mounting plate can be made especially for Your applications.



COMNET

Producing of communications & data centers equipment since 1997th

In conclusion

Company COMNET are producing wide range of fiber optic network accessories for more than 25 years. All our products produced in Latvia (EU). We have specialists in sheet steel processing and production of plastic parts for the telecommunication industry and fiber optic networking as well.

Our main customers are wholesalers of telecommunications equipment, fiber-optic network builders and communication providers.

Why chose Our company ?

Our experience allows us to adopt to Your specific needs.

All of our products are developed in close cooperation with leading telecommunication companies and network installers, not only in our country but also abroad.

We are listening to their desires and references and constantly improving our product quality and range.

We are ready to customize our products in accordance with your needs.

Upon request our products are available in different colours. For multiple products it is possible to mould or paint Your company logo.

We can offer special packaging according to Your demands. In year 2023 We are planning to expand our product range with many new products and their options.

We can promise fast delivery directly to Your warehouse through international logistic companies.

We are always ready to send you free samples.

If you find something interesting in our product range, we will send You additional information.

Martins Saiters,
owner of company COMNET
martins@comnet.lv

