

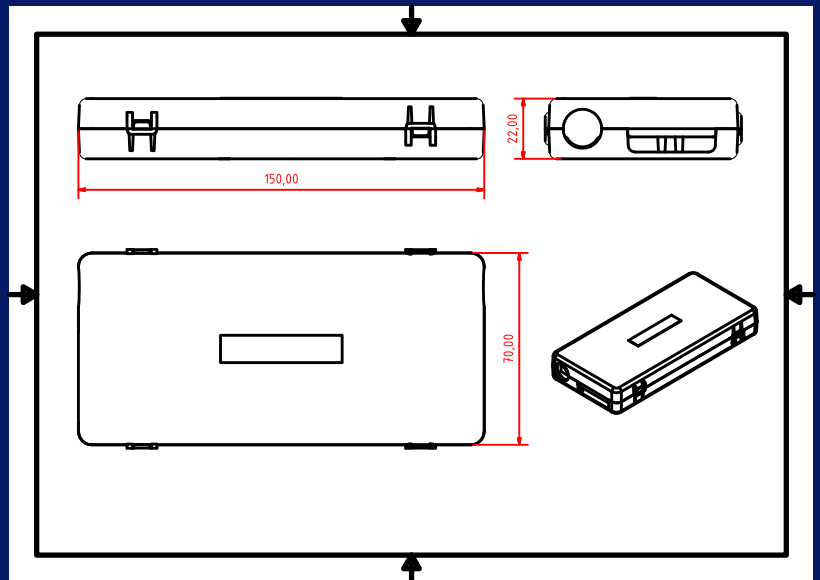
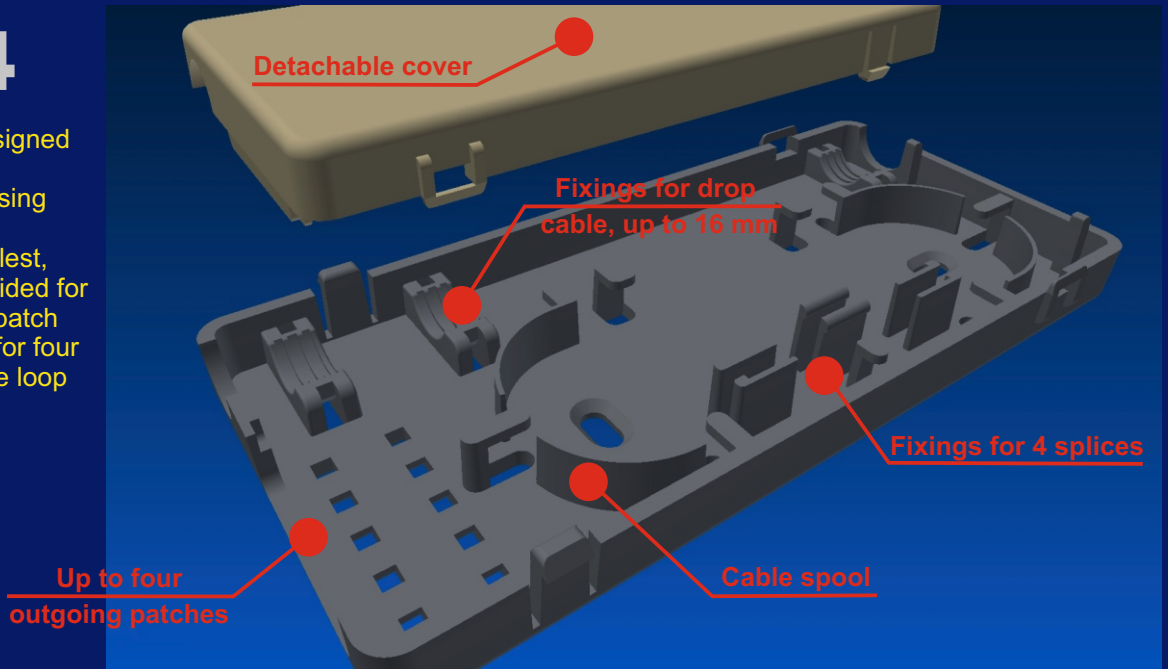
COMNET

Producing of communications & data centers equipment

FOS-34

Enclosure FOS-34 designed for FTTH solutions in apartment buildings, using "drop-cable".

This enclosure is smallest, than FOS-49 and provided for up to 4 outgoing fiber patch cords. There is fixings for four splices and small cable loop inside.



Made from High-grade polycarbonate (PC)

Dimensions : 150*70*22 mm

Weight : 85 grams

