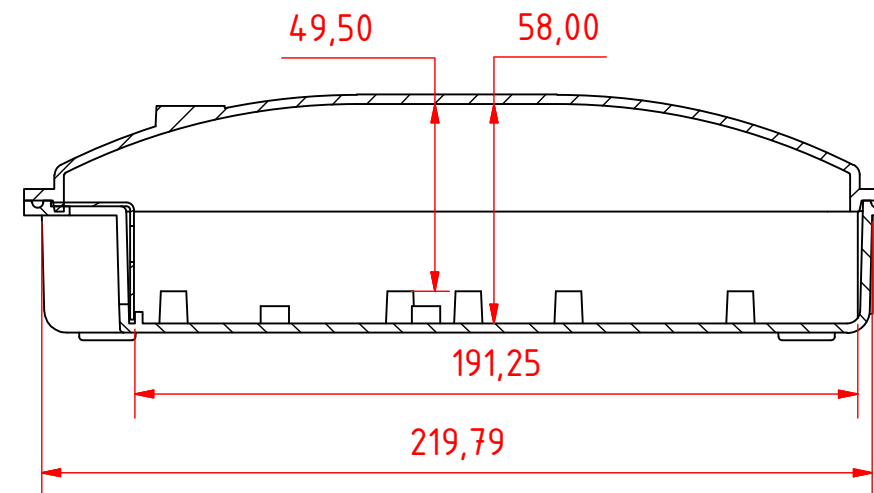
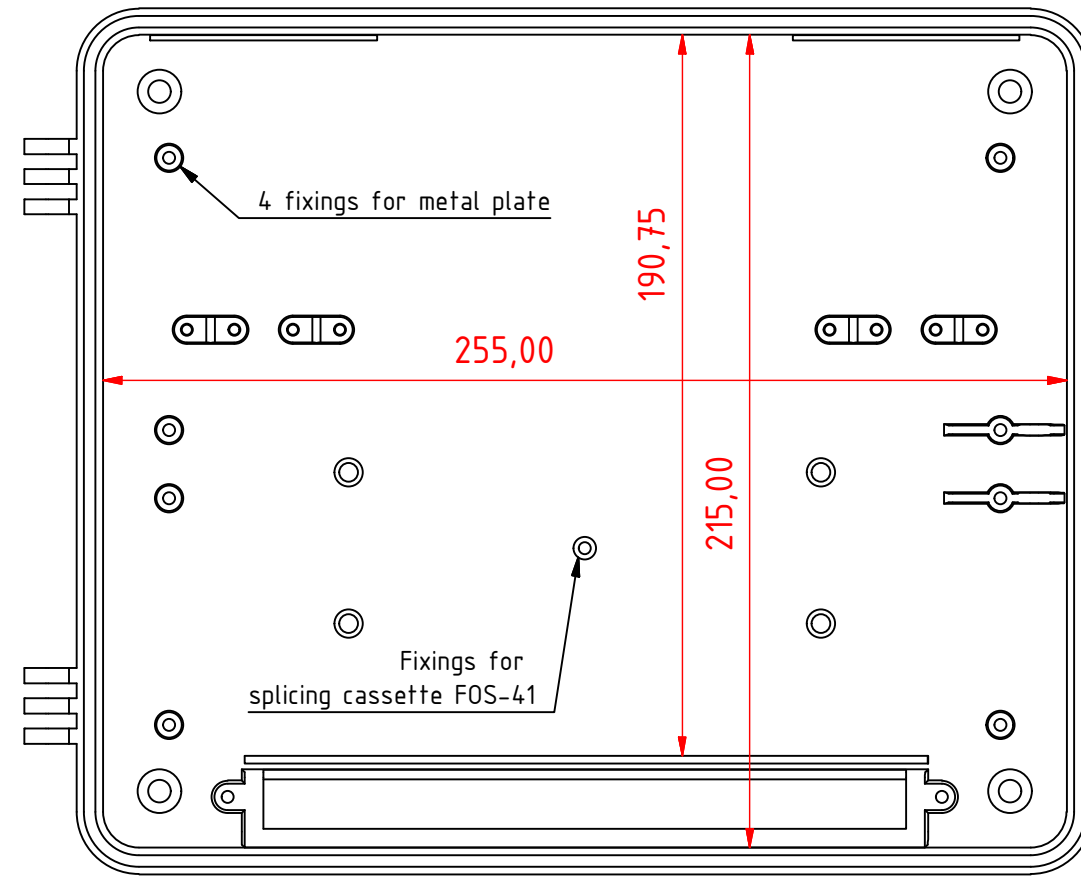
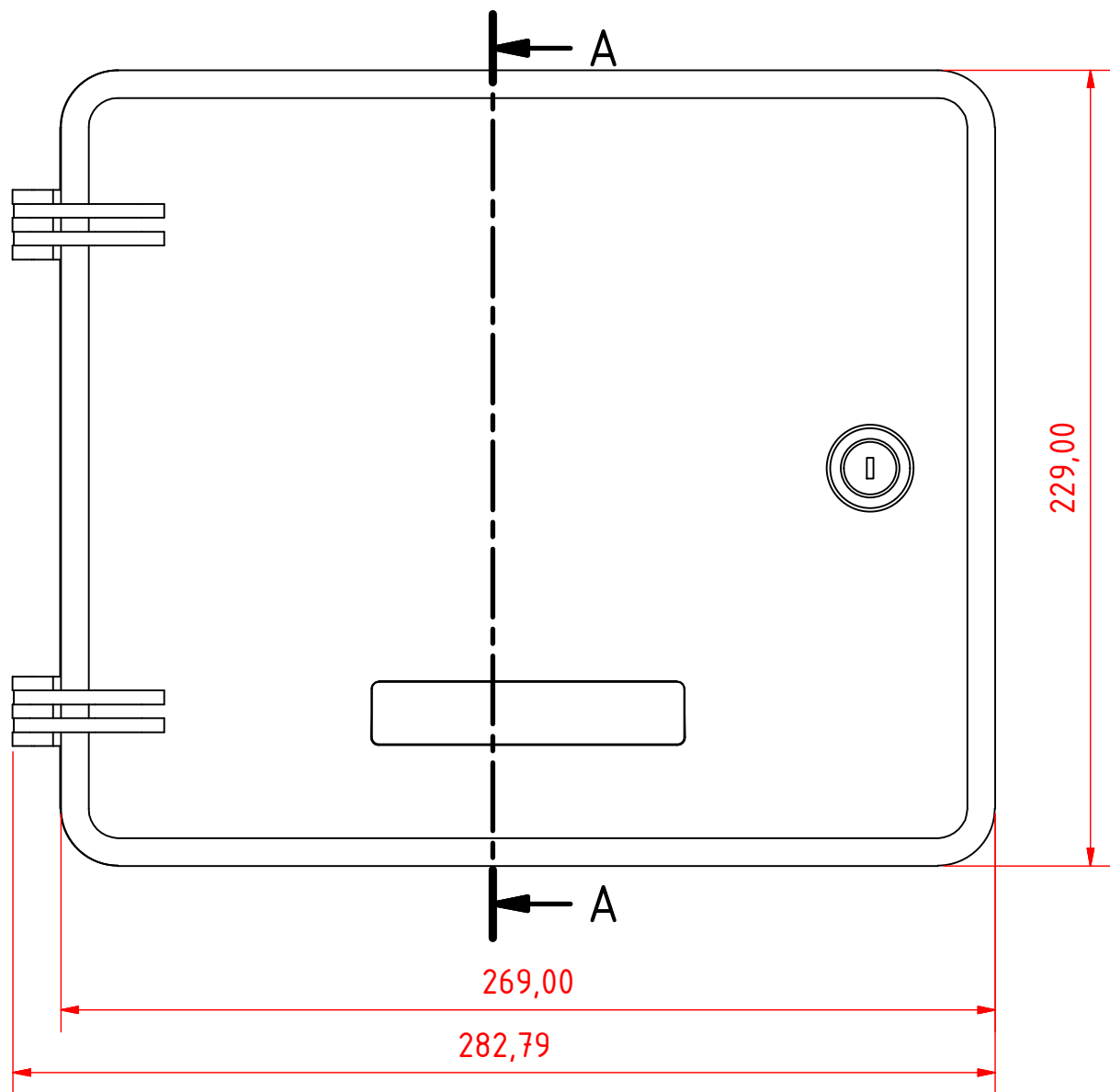


B ↓



A-A ( 1 : 2 )

		Date	Name		
		Drawn	2017.01.31.	Martins	
		Checked			
		Standard			
				Assembly_FOS-54A6	
				1	
				A3	
State	Changes	Date	Name		