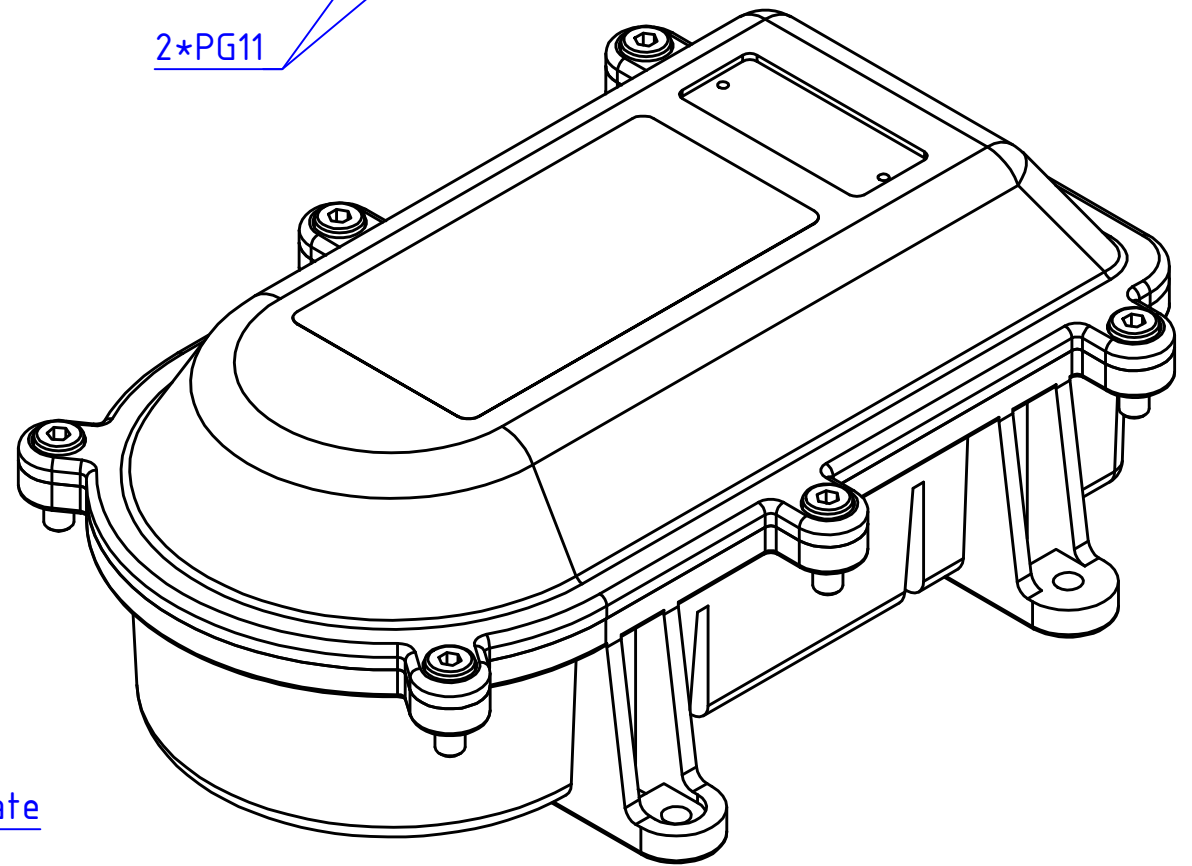
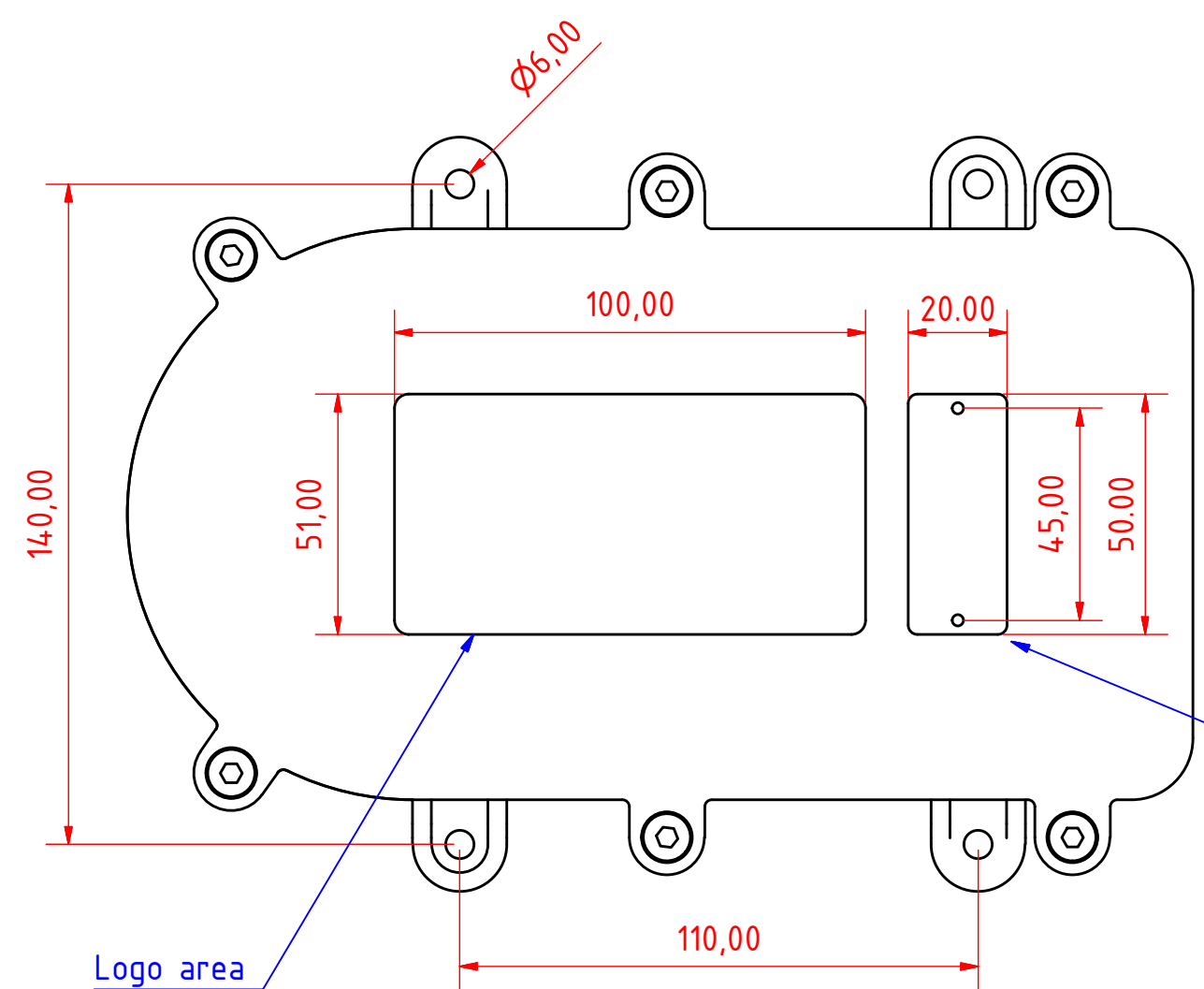
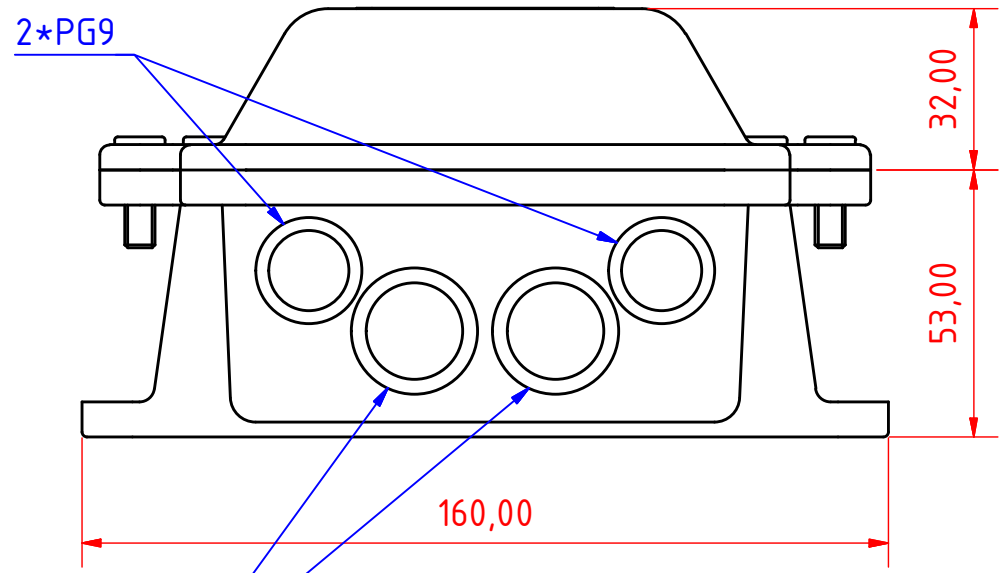


A

A (1 : 1.5)



		Date	Name					
		Drawn	2017.03.31.	Martins				
		Checked						
		Standard						
				FOS-28_1				
				1				
				A3				
State	Changes	Date	Name					